

STERLING®

A KOHLER COMPANY

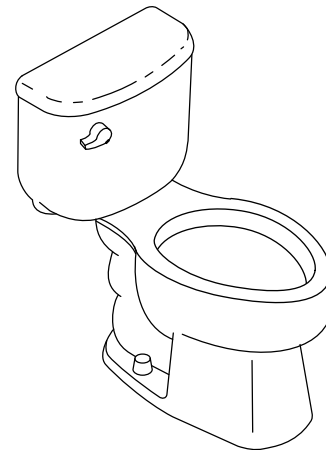
WINDHAM™

LUXURY HEIGHT® LOW CONSUMPTION TOILET 402082

Features

- Vitreous china
- Elongated bowl
- 5-year limited warranty
- Flushes efficiently regardless of incoming water pressure
- Three-bolt, quick-connect installation system
- Polished chrome trip lever
- Less seat and supply
- 12" (305 mm) rough-in
- 1.28 gpf (4.8 lpf)
- 2" (51 mm) glazed trapway
- 8" (203 mm) x 9" (229 mm) water area
- 29-1/4" (743 mm) x 16-7/8" (429 mm) x 30-1/2" (775 mm)

ADA CSA B651 OBC



Codes/Standards Applicable

Specified model meets or exceeds the following:

- ADA
- ICC/ANSI A117.1
- CSA B651
- OBC
- ASME A112.19.2/CSA B45.1
- EPA WaterSense®

Colors/Finishes

- 0: White
- Other: Refer to Price Book for additional colors/finishes

Accessories

- 0: White
- Other: Refer to Price Book for additional colors/finishes

Specified Model

Model	Description	Trip Lever	Included Tank	Included Bowl	Colors/Finishes	
402082	Luxury Height® low consumption toilet (shown)	left-hand	404555	403315	<input type="checkbox"/> 0	<input type="checkbox"/> Other_____
402082-RA	Luxury Height low consumption toilet	right-hand	404555-RA	403315	<input type="checkbox"/> 0	<input type="checkbox"/> Other_____

Recommended Accessories

K-4650	Lustra™ elongated open-front toilet seat – for Accessibility compliance	<input type="checkbox"/> 0	<input type="checkbox"/> Other_____
K-4650-A	Lustra elongated open-front toilet seat with anti-microbial agent – for Accessibility compliance	<input type="checkbox"/> 0	

Product Information

Fixture:	
Configuration	two-piece, elongated
Water per full flush	1.28 gal (4.8 L)
Passageway	2" (51 mm)
Water area	8" (203 mm) x 9" (229 mm)
Seat post hole centers	5-1/2" (140 mm)
Included components:	
Bowl	403315
Tank – left-hand OR	404555
Tank – right-hand	404555-RA
Tank cover	84537
Trip lever – left-hand OR	84625
Trip lever – right-hand	85132
Bolt cap accessory pack	1013092

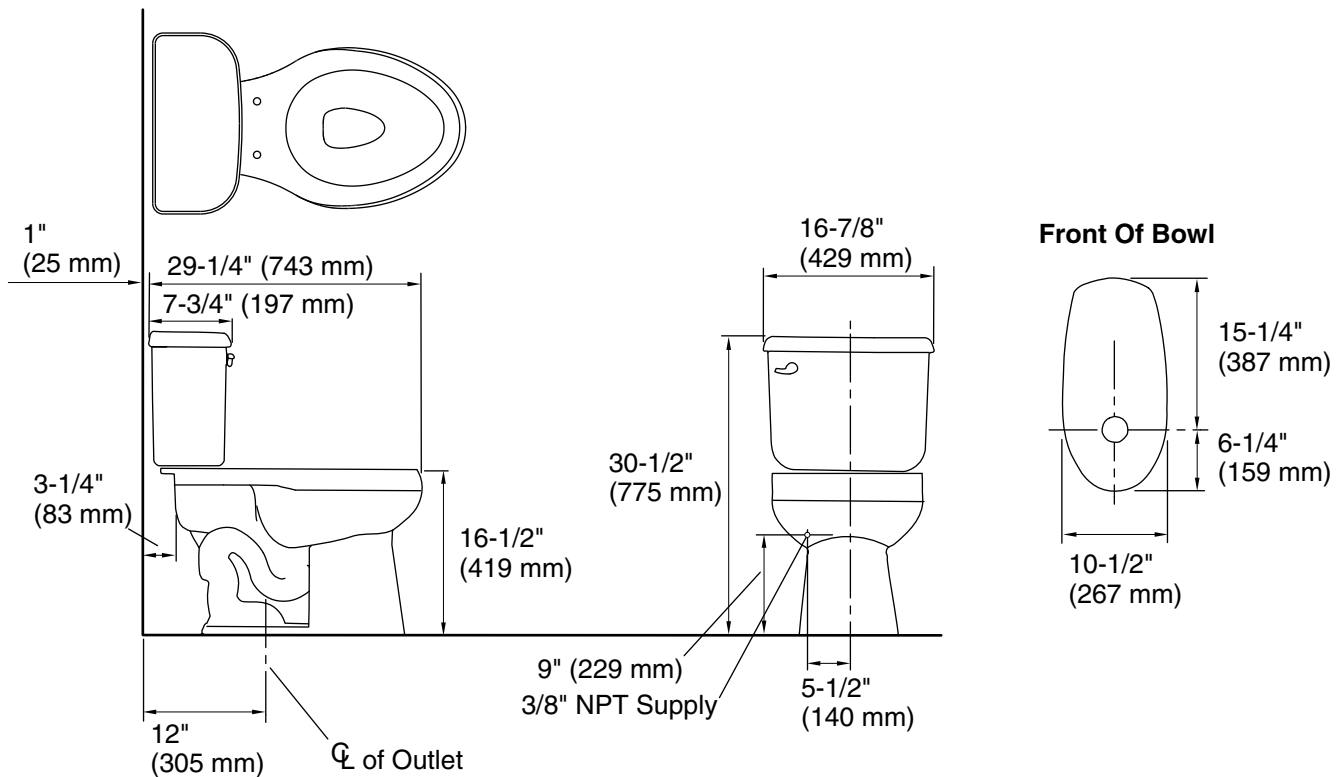
Installation Notes

Install this product according to the installation guide.

Will comply with the American Disabilities Act (**ADA**) when installed per the requirements of the Accessibility Guidelines, Section 604 Water Closets, of the Act. The Model Plumbing Codes require the installation of elongated open-front toilet seats in public bathrooms.

Will comply with **CSA B651** when installed per Clause 4.3.6 of the standard.

Will comply with **OBC** when installed per Clause 3.8.3.8 and 3.8.3.9.



Product Diagram