

## TOP-MOUNT KITCHEN SINK 14707

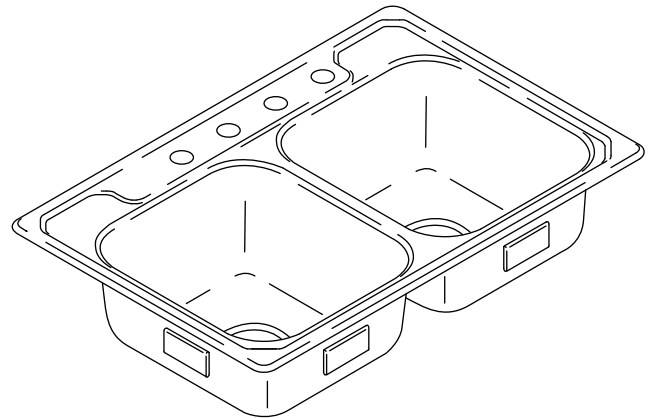
### Features

- 21-gauge stainless steel
- Includes SilentShield® sound-absorption technology
- Double (equal) bowl, ledge back sink
- Top-mount, rolled rim
- Satin deck and luster bowls
- 33" (83.8 cm) x 22" (55.9 cm) x 7" (17.8 cm)

### Codes/Standards Applicable

Specified model meets or exceeds the following:

- ASME A112.19.3/CSA B45.4



### Colors/Finishes

- NA: None applicable

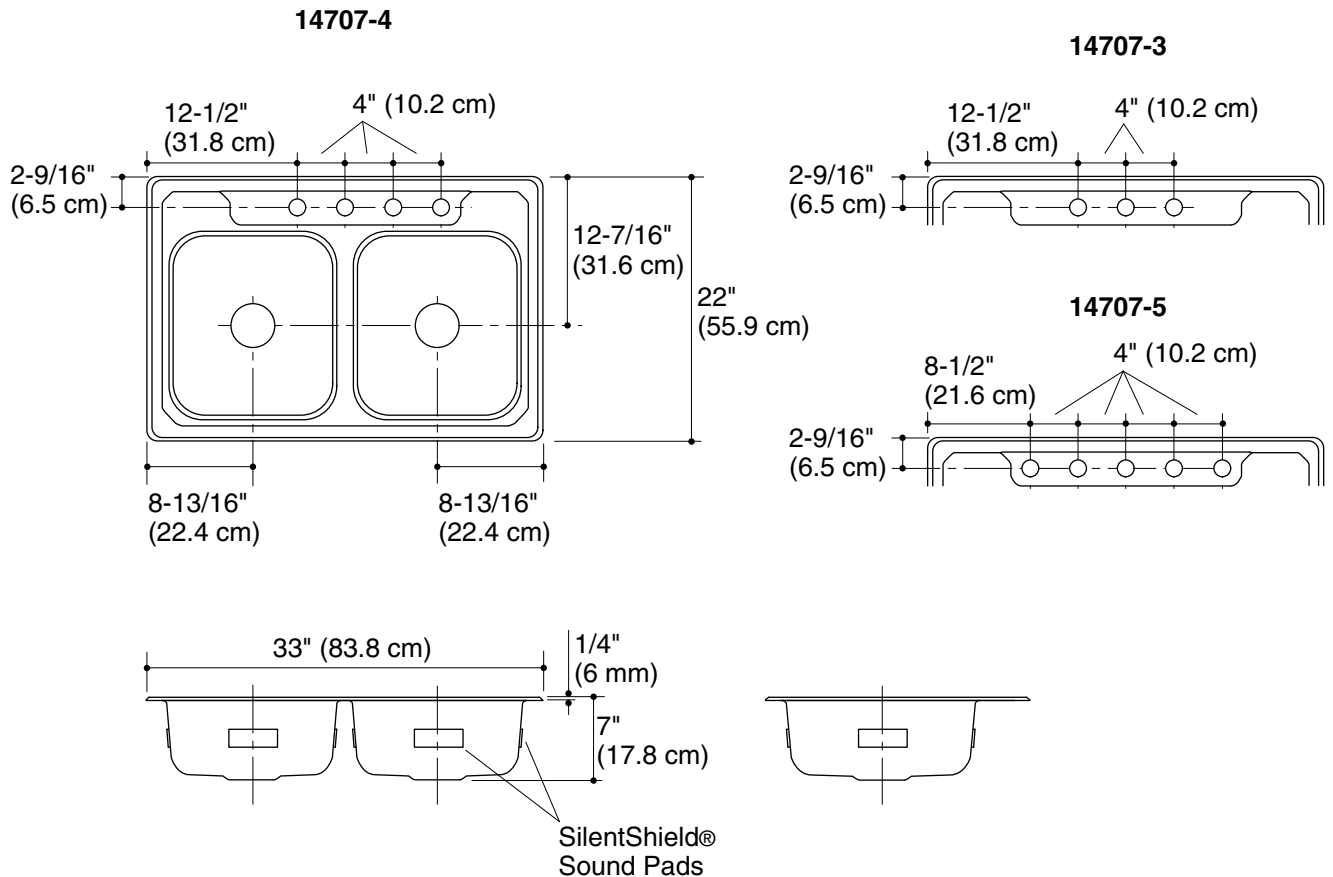
### Specified Model

| Model    | Description                        | Holes | Quantity | Bowl Depth   | Colors/Finishes             |
|----------|------------------------------------|-------|----------|--------------|-----------------------------|
| 14707-3  | Top-mount kitchen sink             | 3     | 1        | 7" (17.8 cm) | <input type="checkbox"/> NA |
| 14707-4  | Top-mount kitchen sink (shown)     | 4     | 1        | 7" (17.8 cm) | <input type="checkbox"/> NA |
| 14707-5  | Top-mount kitchen sink             | 5     | 1        | 7" (17.8 cm) | <input type="checkbox"/> NA |
| F14707-3 | Top-mount kitchen sink, multi-pack | 3     | 40       | 7" (17.8 cm) | <input type="checkbox"/> NA |
| F14707-4 | Top-mount kitchen sink, multi-pack | 4     | 40       | 7" (17.8 cm) | <input type="checkbox"/> NA |
| F14707-5 | Top-mount kitchen sink, multi-pack | 5     | 40       | 7" (17.8 cm) | <input type="checkbox"/> NA |

# MIDDLETON®

## Technical Information

|   |  |
|---|--|
| Fixture*: Sink                                  |  |
| Cutout size                                     | 32-1/2" (82.6 cm) x 21-1/2" (54.6 cm)<br>with 1/2" (1.3 cm) radius corners |
| Bowl areas                                      | 14" (35.6 cm) x 15-1/8" (38.4 cm)  |
| Drain holes                                     | 3-5/8" (9.2 cm) D.   |
| Faucet holes                                    | 1-7/16" (3.7 cm) D.  |
| * Approximate measurements for comparison only. |  |



## Product Diagram