



FEATURES:

- Sentinel Mark II® concealed anti-scald balanced pressure shower
- Chrome plated brass wall plate with metal index.
- Chrome plated brass lever handle.
- Independent center sleeve allows up to 1 in. of rough-in variation.
- Adjustable temperature limit stop. Brass body.
- Pressure balancing & ceramic temperature regulating cartridge with built-in check valves.
- Can be installed back-to-back.
- Roughing-in template.
- Vandal-resistant standard.
- S-2280 Anystream® wall mounted showerhead with flow control device reduces flow to 2.5 gpm (9.46 L/min) maximum
- Vandal-resistant standard.
- Four port valve with ½ in. female copper sweat inlets and shower outlet (tub outlet ½ NPT female).
- Furnished with ½ in. pipe plug.

COMPLIANCE:

- Meets ASSE 1016 & ASME 112.18.1/CSA B125.1 standards



FINISH:

- Polished Chrome (standard)

OPTIONS:

ADD SUFFIX TO MODEL #

- | | |
|------------------------------|------------------------------|
| • Integral stops | <input type="checkbox"/> -IS |
| • Anchor plate assembly | <input type="checkbox"/> -AP |
| • Ball joint | <input type="checkbox"/> -BJ |
| • S-2252 showerhead | <input type="checkbox"/> -2 |
| • Contractor Packs Available | |

WARRANTY:

- Shower Head: 1 year limited
- Valve: 5 year limited

SEE REVERSE FOR ROUGH-IN DIMENSIONS

THIS SPACE FOR ARCHITECT/ENGINEER APPROVAL.

SPEAKMAN®

400 ANCHOR MILL ROAD | NEW CASTLE, DE 19720
P: 800-537-2107 | F: 800-977-2747
WWW.SPEAKMANCOMPANY.COM

REVISION DATE: DECEMBER 2014

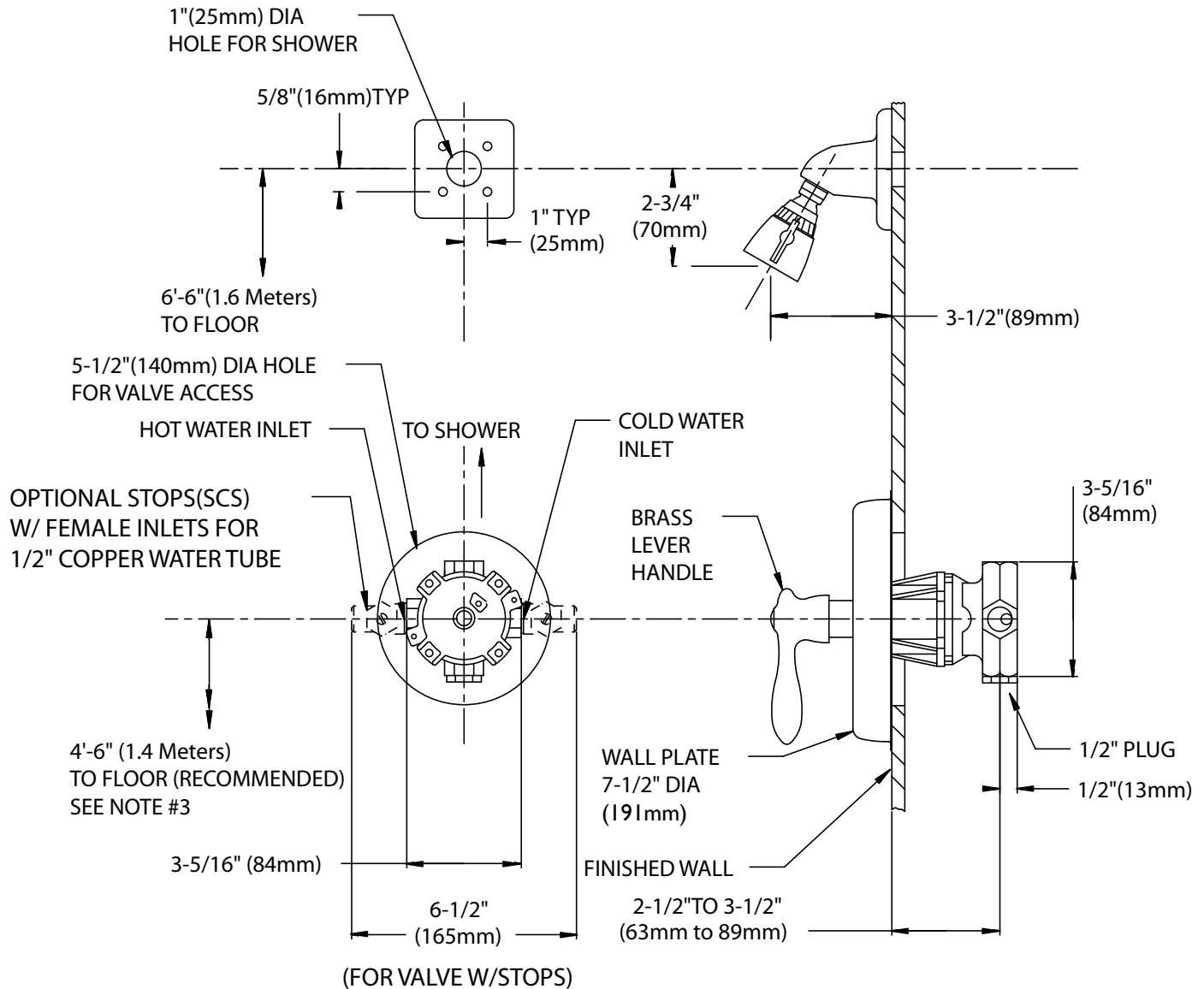


Management Systems
Registered to ISO 9001

SPEAKMAN®

Sentinel Mark II® Balanced Pressure Shower System SM-3020

SPECIFICATION



THIS SPACE FOR ARCHITECT/ENGINEER APPROVAL.

SPEAKMAN®

400 ANCHOR MILL ROAD | NEW CASTLE, DE 19720
P: 800-537-2107 | F: 800-977-2747
WWW.SPEAKMANCOMPANY.COM



Management Systems
Registered to ISO 9001

REVISION DATE: DECEMBER 2014