

SPEAKMAN®

SEF-1800-CA-8

EYESAVER® FAUCET SPECIFICATIONS

DESCRIPTION

The SEF-1800-CA-8 Eyesaver® faucet combines a gooseneck faucet with an independently operated eyewash. The faucet features ¼ turn Speakman ceramic valves while the eyewash offers twin aerated sprays and flip-top dust covers. Lead free brass construction.

SPECIFICATIONS

EYEWASH

Activator: Pull handle with graphics

Spray heads: (2) aerated yellow plastic spray outlets with flip-top dust caps

Performance: 2.6 gpm @ 30 psi

Compliance: ANSI Z358.1

FAUCET

Supply: ½" male connections for hot and cold inlets

Widespread Valves: ¼ turn ceramic cartridges covered by a 25-year warranty

Center Distance: Adjustable center of 6" to 12"

Activator: Vandal resistant 4" wrist blades handles with color-coded indexes or single handle lever

Performance: 2.2 gpm

Counter thickness: Up to 2" thick

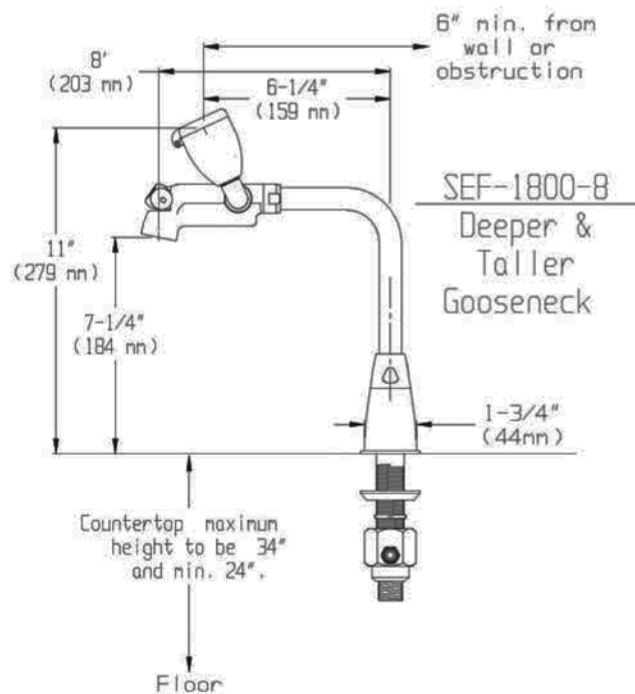
Compliance: ASME A112.18.1, CSA B125-98 and CA AB1953

Universal Emergency Sign Included

OPTIONS

- BO Vandal resistant 0.5 gpm flow control
- D75 Cross handles
- FP* Foot pedal activation
- LF Laminar flow outlet 2.2 gpm
- ST* Serrated tip with vacuum breaker
- TW Addition of SE-370 thermostatic mixing valve
- 6WH 6" wrist handles
- SL Two handle valves replaced with single lever valve
- NA Non aerated eyewash

* Not available in Lead Free option



Job Name	_____
Location	_____
Architect/Engineer	_____
Sales Representative	_____
Wholesaler	_____
Date	_____
Model #	_____