

SPEAKMAN®

SEF-1800-CA

EYESAVER® FAUCET SPECIFICATIONS

DESCRIPTION

The SEF-1800-CA Eyesaver® faucet combines a gooseneck faucet with an independently operated eyewash. The faucet features ¼ turn Speakman ceramic valves while the eyewash offers twin aerated sprays and flip-top dust covers. Lead free brass construction.



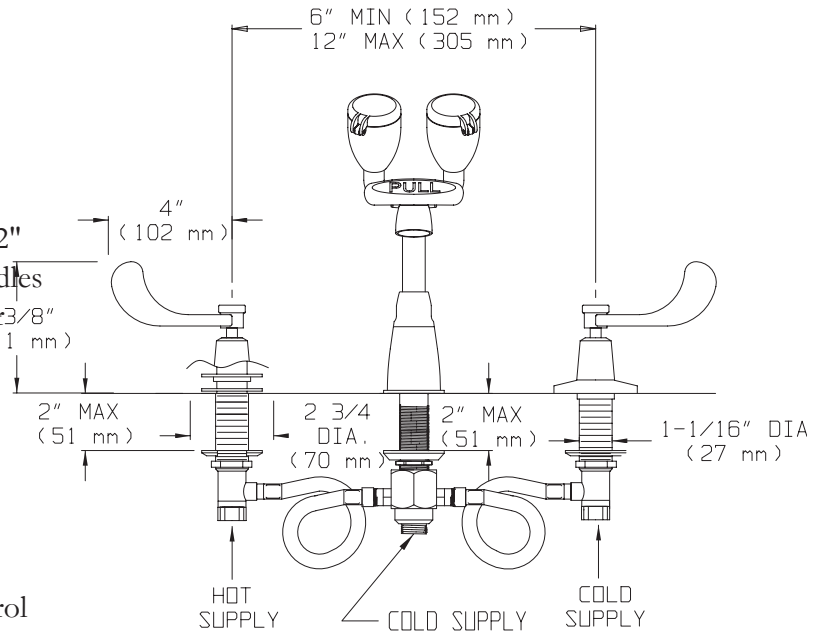
SPECIFICATIONS

EYEWASH

- Activator:** Pull handle with graphics
- Spray heads:** (2) aerated yellow plastic spray outlets with flip-top dust caps
- Performance:** 2.6 gpm @ 30 psi
- Compliance:** ANSI Z358.1

FAUCET

- Supply:** ½" male connections for hot and cold inlets
- Widespread Valves:** ¼ turn ceramic cartridges covered by a 25-year warranty
- Center Distance:** Adjustable center of 6" to 12"
- Activator:** Vandal resistant 4" wrist blades handles with color-coded indexes or single handle lever
- Performance:** 2.2 gpm
- Counter thickness:** Up to 2" thick
- Compliance:** ASME A112.18.1, CSA B125-98 and CA AB1953
- Universal Emergency Sign Included**



OPTIONS

- BO Vandal resistant 0.5 gpm flow control
- D75 Cross handles
- FP* Foot pedal activation
- LF Laminar flow outlet 2.2 gpm
- ST* Serrated tip with vacuum breaker
- TW Addition of SE-370 thermostatic mixing valve
- 6WH 6" wrist handles
- 8 8" gooseneck spout
- SL Two handle valves replaced with single lever valve
- NA Non aerated eyewash

* Not available in Lead Free option

Job Name _____	
Location _____	
Architect/Engineer _____	
Sales Representative _____	
Wholesaler _____	
Date _____	Model # _____