

SPEAKMAN®

SE-573

EYESAVER® EYE/FACE WASH

DESCRIPTION

The SE-573 Eyesaver® eye/face wash is a back deck sink mounted emergency eye/face wash. Unit supplied with plastic spray heads, with individual flow restrictors, and dust covers. Unit activated by pulling eye/face wash downward, over the sink, to open position. And is shut-off by pushing the eye/face wash upward to the vertical off position.

SPECIFICATIONS

- Spray Heads and Dust Covers:** (2) plastic non-aerated
- Valve:** Brass, chrome-plated
- Inlet:** 1/2" NPT male
- Performance:** 3.9 gpm @ 30 psi
- Compliance:** ANSI Z358.1
- Universal Emergency Sign Included**

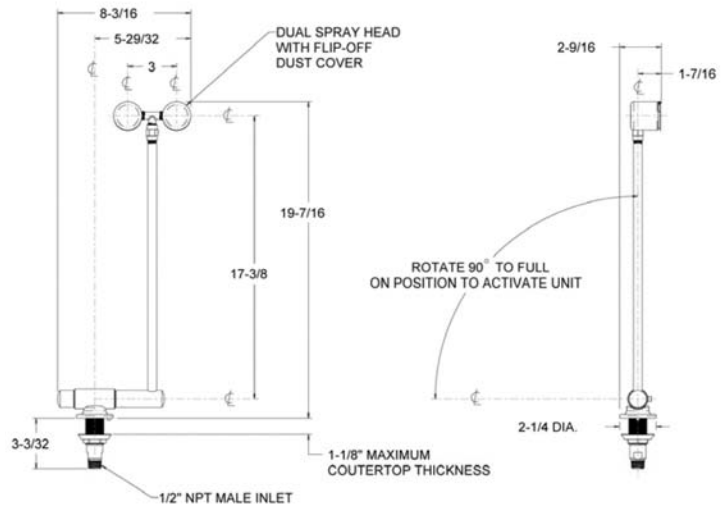


FIGURE #2

OPTIONS

- FLW Flow switch
- FLW-DPDT DPDT Flow switch
- ILS In-line strainer

Job Name _____
Location _____
Architect/Engineer _____
Sales Representative _____
Wholesaler _____
Date _____ Model # _____