

# SPEAKMAN®

## SE-572 EYESAVER® EYEWASH

### DESCRIPTION

SE-572 Eyesaver® eyewash is counter top mounted and features twin aerated sprays with automatic flow control and flip top dust covers. The unit swivels 90 degrees and is activated by a paddle handle.

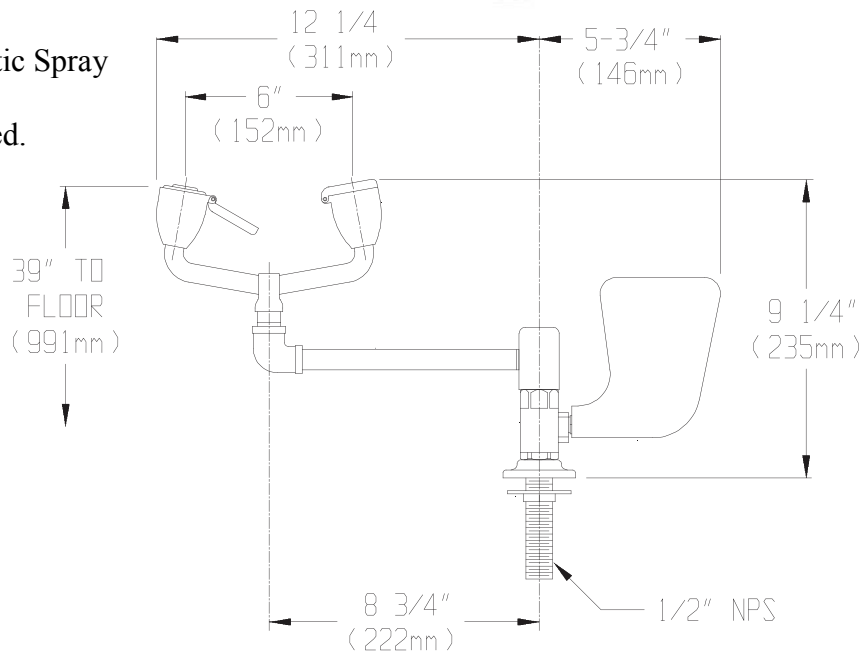
### SPECIFICATIONS

SPRAY HEADS: (2) Aerated Yellow ABS Plastic Spray Outlet, Sprayface, and Dust Cover.

VALVE: 1/2" NPT Female Brass, Chrome-Plated.

ACTIVATOR: Stainless Steel Push Handle.

INLET: 1/2" NPSM.



Universal Emergency Sign Included  
Compliance: Meets ANSI Z358.1-1998

### OPTIONS

Left Hand Operation (LH)

Job Name _____
Location _____
Architect/Engineer _____
Sales Representative _____
Wholesaler _____
Date _____ Model # _____