

COMMANDER®

Deck Mounted Kitchen Sink Fittings



SC-5724



GENERAL SPECIFICATION

Polished chrome plated Commander 8" deck fitting with 1/4 turn ceramic cartridges covered by a 25-year warranty. Brass body with rigid shanks. Accommodates installations up to 3/4" thick. 8" deep gooseneck spout, rigid or swivel. Vandal-resistant flow control reduces flow to 1.5 gpm/5.7 L/min. Meets ASME A112.18.1/CSA B125.1, NSF61 and WaterSense.

SC-5724

Vandal-resistant 4" wrist blade handles with color-coded indexes.

SC-5726

Vandal-resistant 6" wrist blade handles with color-coded indexes.

SC-5726



OPTIONS

SUFFIX	DESCRIPTION
<input type="checkbox"/> BO	0.5 gpm flow control, vandal-resistant
<input type="checkbox"/> CA**	No lead for CA AB1953 compliance
<input type="checkbox"/> FC*	2.0 gpm laminar flow control, plain end spout
<input type="checkbox"/> LF	1.5 gpm laminar flow control outlet
<input type="checkbox"/> 4*	3-3/4" deep spread gooseneck spout, rigid or swivel
<input type="checkbox"/> 5*	5-1/4" deep spread gooseneck spout, rigid or swivel
<input type="checkbox"/> 9*	9" deep tubular swing spout, rigid or swivel
<input type="checkbox"/> VB6*	6" deep spread rigid vacuum breaker spout
<input type="checkbox"/> VB8*	8" deep spread rigid vacuum breaker spout

VACUUM BREAKER OPTIONS

SUFFIX	DESCRIPTION
<input type="checkbox"/> ST	Serrated tip
<input type="checkbox"/> SW	Swivel spout

*See page 283 for optional spout specifications

** The following options are not available with the "CA" option:
 SO, TWI, VB6, VB8, ST, SW, & TMV.

This space for Architect/Engineer approval.

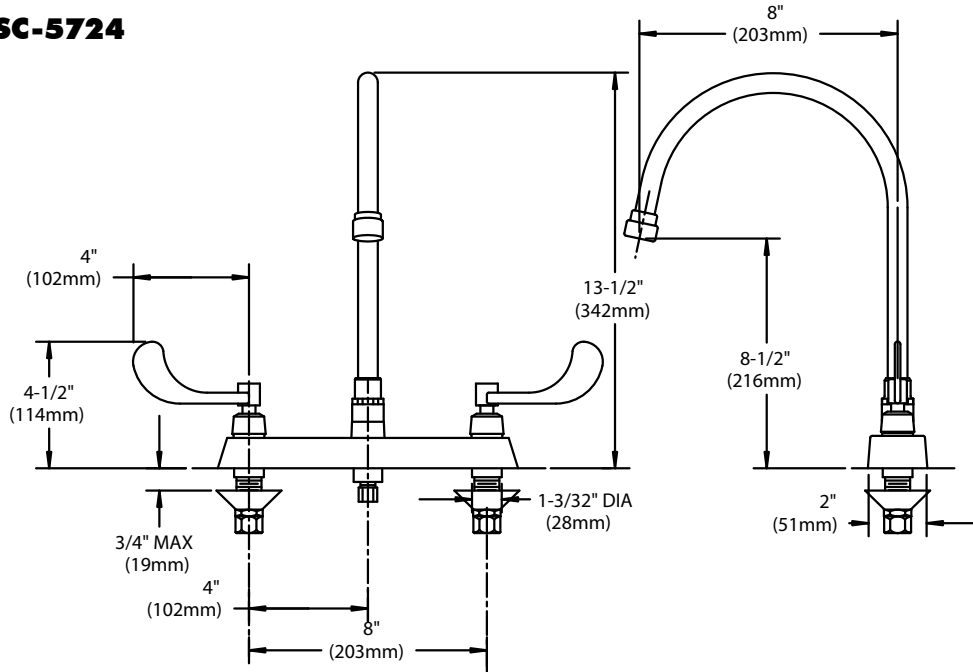


Management Systems Registered to ISO 9001

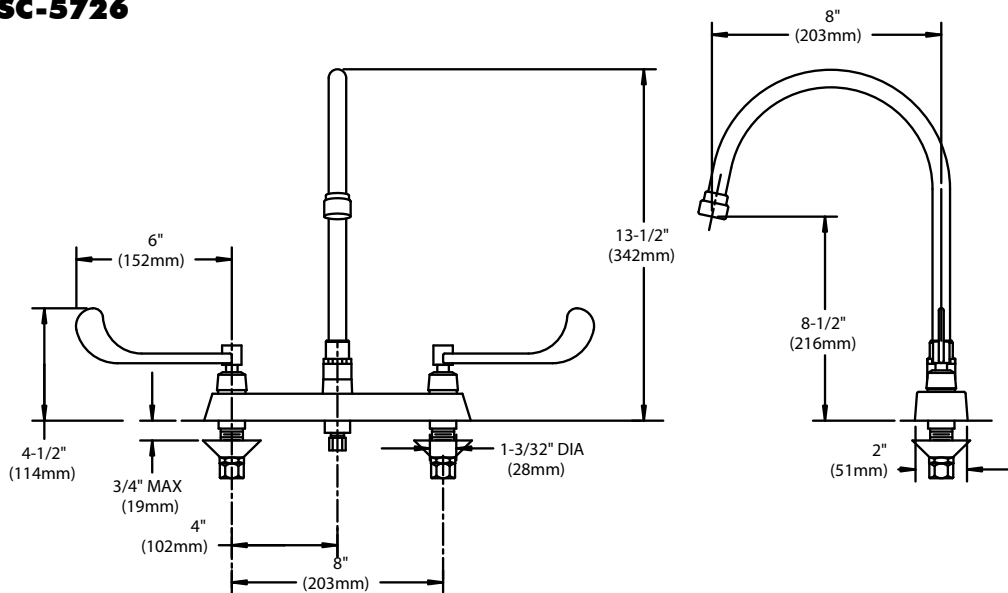
Commander — Registered T.M. Speakman Company
 © Copyright, Speakman Company, 2013

ROUGH-INS

SC-5724



SC-5726



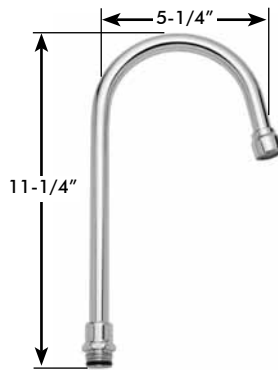
NOTE: All dimensions are in inches (millimeters) unless otherwise specified and are subject to change without notice. Inlets are sized for either 276 coupling or sweat connections. Unless otherwise specified, all inlets are 1/2" NPSM.



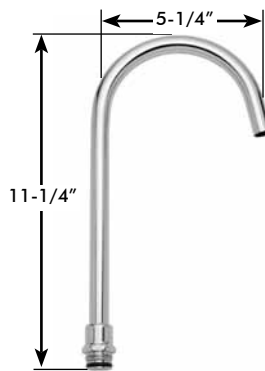
Spout -4, rigid or swivel
 3-3/4" deep gooseneck



Spout -4FC, rigid or swivel
 3-3/4" deep plain end gooseneck;
 laminar flow in base of spout



Spout -5, rigid or swivel
 5-1/4" deep gooseneck



Spout -5FC, rigid or swivel
 5-1/4" deep plain end gooseneck;
 laminar flow in base of spout

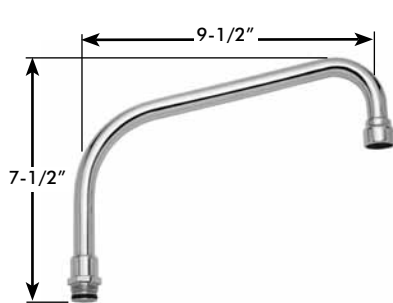


STANDARD SPOUT FOR
 DECK MOUNTED
 KITCHEN SINK FITTINGS

Spout -8, rigid or swivel
 8" deep gooseneck



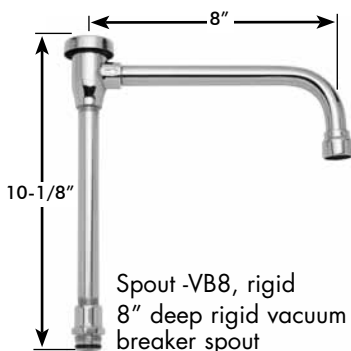
Spout -8FC, rigid or swivel
 8" deep plain end gooseneck;
 laminar flow in base of spout



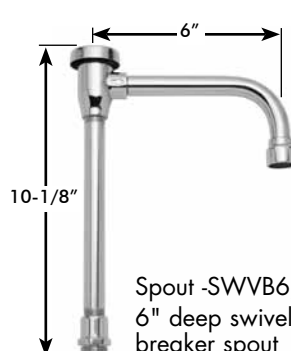
Spout -9, rigid or swivel
 9" deep tubular swing spout



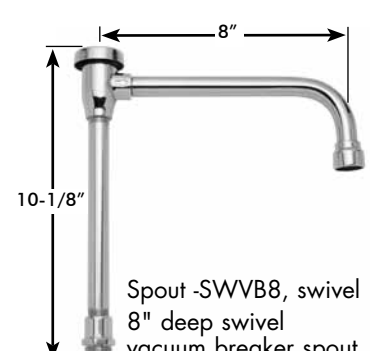
Spout -VB6, rigid
 6" deep rigid vacuum breaker spout



Spout -VB8, rigid
 8" deep rigid vacuum
 breaker spout



Spout -SWVB6, swivel
 6" deep swivel vacuum
 breaker spout



Spout -SWVB8, swivel
 8" deep swivel
 vacuum breaker spout