

## COMMANDER®

**SC-5724**



## Deck Mounted Kitchen Sink Fittings



### GENERAL SPECIFICATION

Polished chrome plated Commander 8" deck fitting with 1/4 turn ceramic cartridges covered by a 25-year warranty. Brass body with rigid shanks. Accommodates installations up to 3/4" thick. 8" deep gooseneck spout, rigid or swivel. Vandal-resistant flow control reduces flow to 1.5 gpm/5.7 L/min. Meets ASME A112.18.1/CSA B125.1, NSF61 and WaterSense.

### **SC-5724**

Vandal-resistant 4" wrist blade handles with color-coded indexes.

### OPTIONS

SUFFIX	DESCRIPTION
<input type="checkbox"/> FC*	2.0 gpm laminar flow control, plain end spout
<input type="checkbox"/> 4*	3-3/4" deep spread gooseneck spout, rigid or swivel
<input type="checkbox"/> 5*	5-1/4" deep spread gooseneck spout, rigid or swivel

### HANDLES

SUFFIX	DESCRIPTION
<input type="checkbox"/> RPG04-0320-PC	Lever Handle Kit

\*See page 233 for optional spout specifications

\*\* The following options are not available with the "CA" option:  
 SO, TWI, VB6, VB8, ST, SW, & TMV.

This space for Architect/Engineer approval.

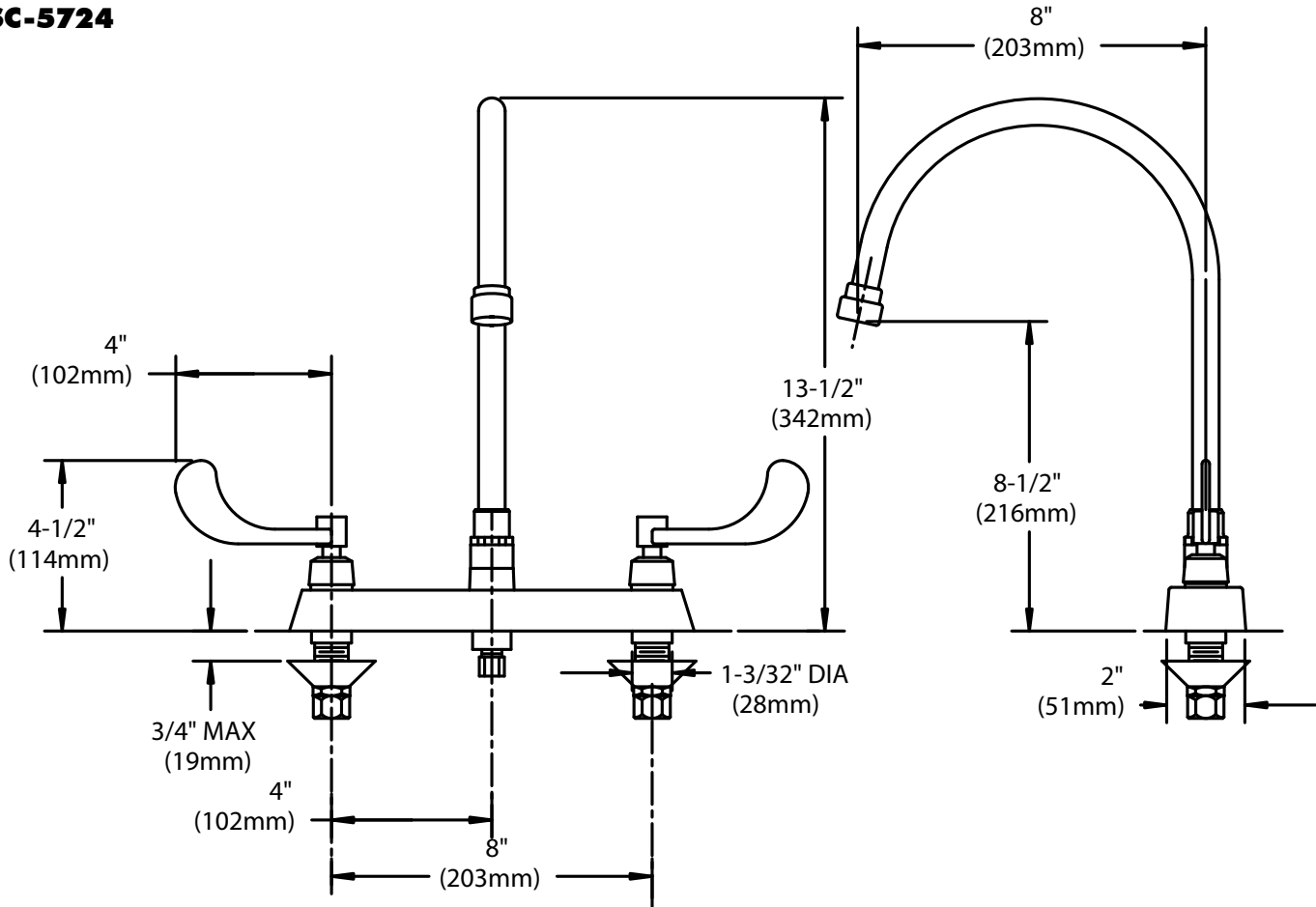


Management Systems Registered to ISO 9001

Commander — Registered T.M. Speakman Company  
 © Copyright, Speakman Company, 2013

## ROUGH-INS

SC-5724



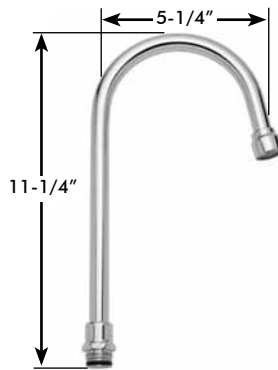
NOTE: All dimensions are in inches (millimeters) unless otherwise specified and are subject to change without notice. Inlets are sized for either coupling or sweat connections. Unless otherwise specified, all inlets are 1/2" NPSM.



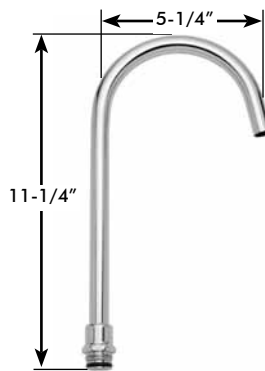
Spout -4, rigid or swivel  
 3-3/4" deep gooseneck



Spout -4FC, rigid or swivel  
 3-3/4" deep plain end gooseneck;  
 laminar flow in base of spout



Spout -5, rigid or swivel  
 5-1/4" deep gooseneck



Spout -5FC, rigid or swivel  
 5-1/4" deep plain end gooseneck;  
 laminar flow in base of spout

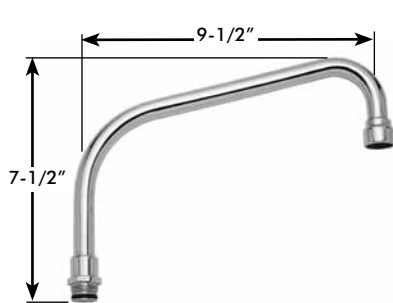


STANDARD SPOUT FOR  
 DECK MOUNTED  
 KITCHEN SINK FITTINGS

Spout -8, rigid or swivel  
 8" deep gooseneck



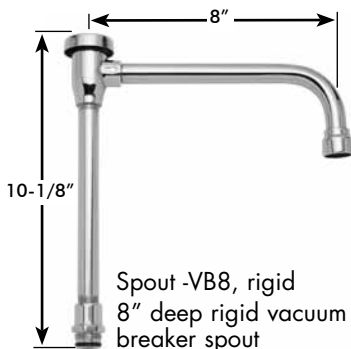
Spout -8FC, rigid or swivel  
 8" deep plain end gooseneck;  
 laminar flow in base of spout



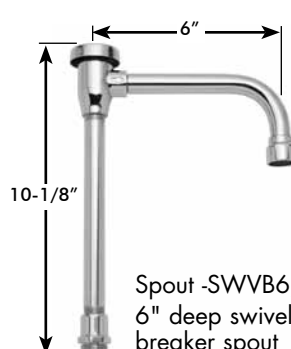
Spout -9, rigid or swivel  
 9" deep tubular swing spout



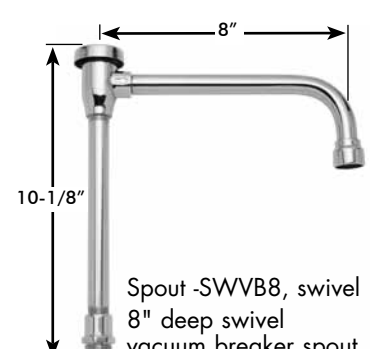
Spout -VB6, rigid  
 6" deep rigid vacuum breaker spout



Spout -VB8, rigid  
 8" deep rigid vacuum  
 breaker spout



Spout -SWVB6, swivel  
 6" deep swivel vacuum  
 breaker spout



Spout -SWVB8, swivel  
 8" deep swivel  
 vacuum breaker spout