

# SPEAKMAN®

## Single Lever Faucet

S-3552  
S-3562-LD

### SPECIFICATION



### MODELS:

- S-3552: 4 in. lead free centerset single lever faucet with 1-1/4 in. pop-up drain.
- S-3562-LD: 4 in. lead free centerset single lever faucet. No drain assembly.

### FEATURES:

- Lead free NSF compliant
- 4 in. centerset single lever faucet.
- All metal shell and belly plate.
- Ceramic cartridge.
- Water conserving aerator reduces flow to 1.5 gpm/ 5.7 L/pm.
- Copper tube inlets with 1/2 in. NPSM compression threads.

### COMPLIANCE:

- Meets ASME A112.18.1/CSA B125.1, NSF 61, NSF 372 and WaterSense standards



### AVAILABLE FINISHES:

- Polished Chrome (standard)

### OPTIONS:

ADD SUFFIX TO MODEL #

- 0.5 gpm flow control, vandal-resistant  -BO
- 1.5 gpm laminar flow control outlet  -LF
- 1.5 aerated flow control, vandal-resistant  -VR

### WARRANTY:

- 1 year limited

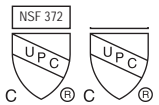
SEE REVERSE FOR ROUGH-IN DIMENSIONS

THIS SPACE FOR ARCHITECT/ENGINEER APPROVAL.

# SPEAKMAN®

400 ANCHOR MILL ROAD | NEW CASTLE, DE 19720  
P: 800-537-2107 | F: 800-977-2747  
WWW.SPEAKMANCOMPANY.COM

REVISION DATE: JULY 2014



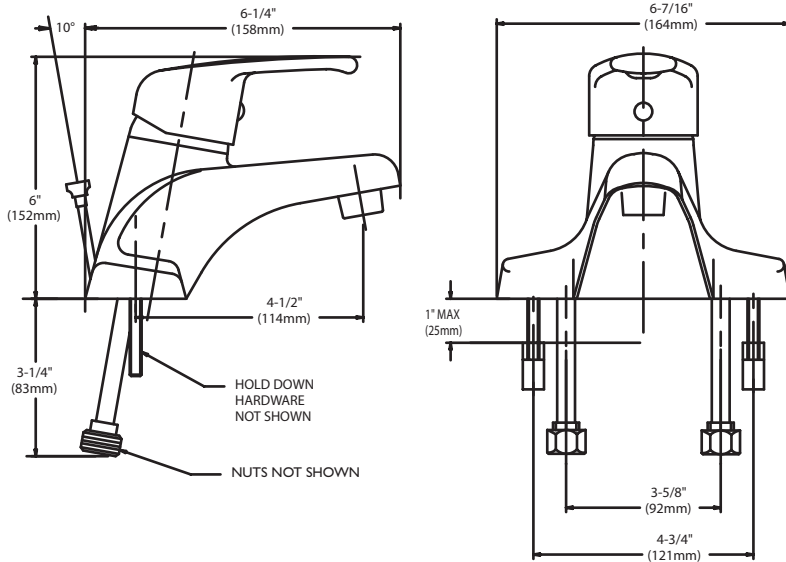
Management Systems  
Registered to ISO 9001

# SPEAKMAN®

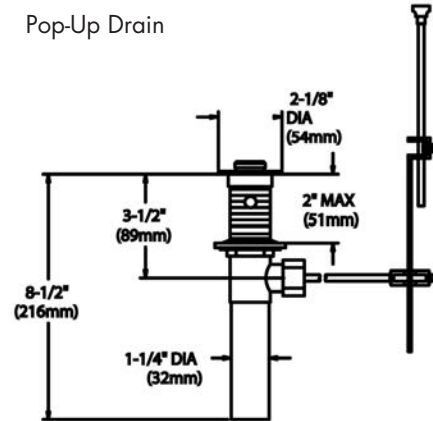
## Single Lever Faucet S-3552, S-3562-LD

SPECIFICATION

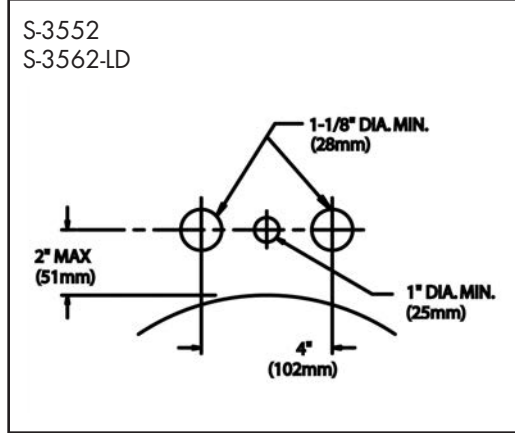
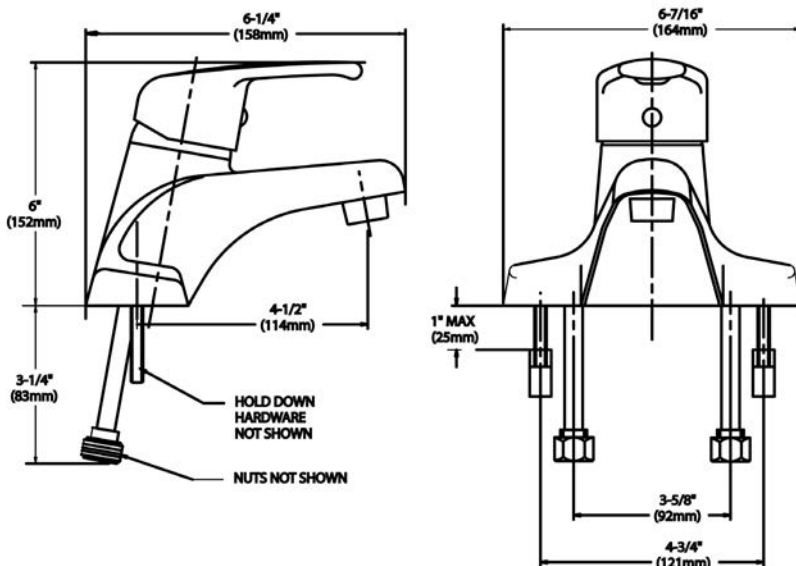
### S-3552



### Pop-Up Drain



### S-3562-LD



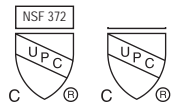
NOTE: 1. All dimensions are in inches (millimeters) unless otherwise specified and are subject to change without notice. 2. Inlet is 3/8" compression with male threads. 3. Position faucet as close to the edge of the sink as possible

THIS SPACE FOR ARCHITECT/ENGINEER APPROVAL.

# SPEAKMAN®

400 ANCHOR MILL ROAD | NEW CASTLE, DE 19720  
 P: 800-537-2107 | F: 800-977-2747  
 WWW.SPEAKMANCOMPANY.COM

REVISION DATE: JULY 2014



Management Systems  
 Registered to ISO 9001