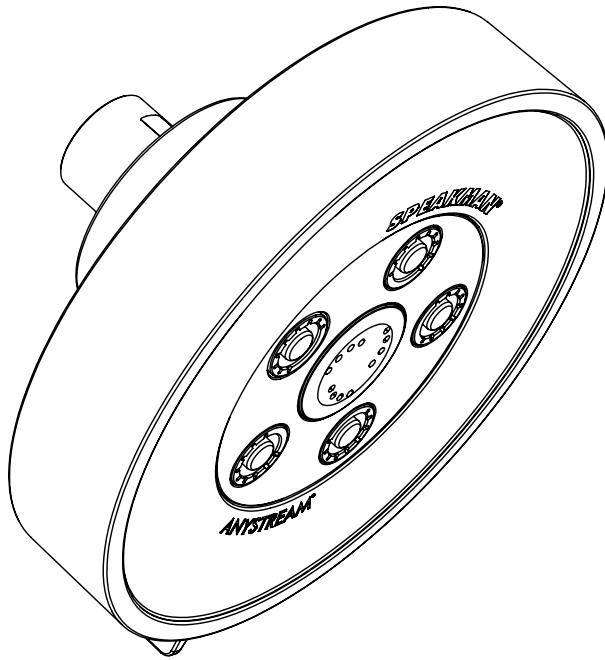


SPEAKMAN®

Neo™ Showerhead

S-3010

SPECIFICATION



FEATURES:

- Modern design
- 5½ in. diameter face
- 50 adjustable sprays
- Massage spray setting
- 360° spray adjusting faceplate
- 2.5 gpm (9.5 L/min) flow rate

COMPLIANCE:

- ASME A112.18.1/CSA B125.1 certified
- WaterSense certified (E2)



FINISHES:

ADD SUFFIX TO MODEL #

- Polished Chrome (standard)
- Brushed Nickel -BN

OPTIONS:

ADD SUFFIX TO MODEL #

- 2.0 gpm (7.6 L/min) flow rate -E2

WARRANTY:

- Limited Lifetime Warranty (consumer use)
- 1 Year Limited (commercial use)

SEE REVERSE FOR ROUGH-IN DIMENSIONS

THIS SPACE FOR ARCHITECT/ENGINEER APPROVAL.

SPEAKMAN®

400 ANCHOR MILL ROAD | NEW CASTLE, DE 19720
P: 800-537-2107 | F: 800-977-2747
WWW.SPEAKMANCOMPANY.COM

REVISION DATE: DECEMBER 2014

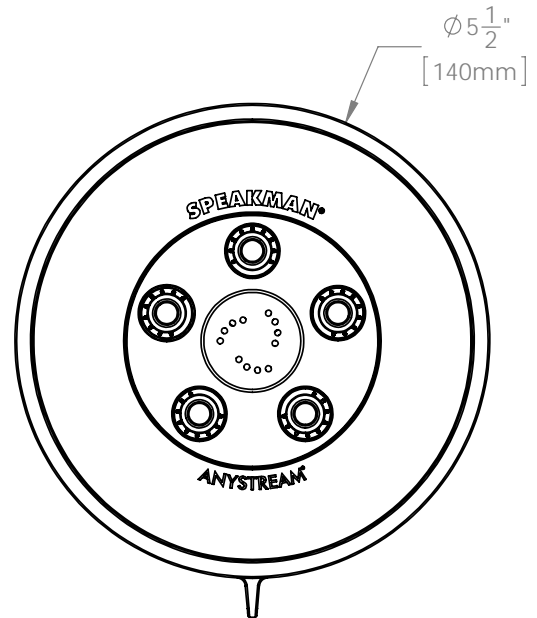
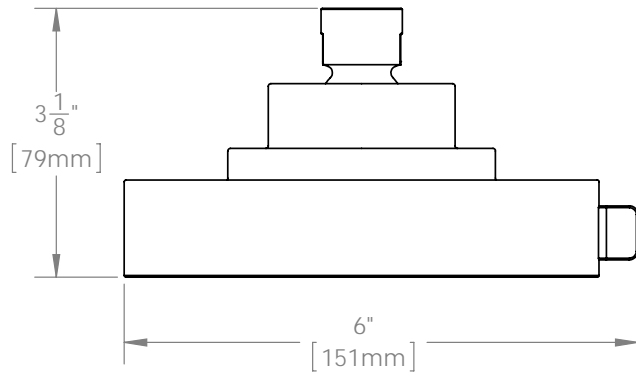


Management Systems
Registered to ISO 9001

SPEAKMAN®

Neo™ Showerhead S-3010

SPECIFICATION



NOTE: 1. All dimensions are in inches (millimeters) unless otherwise specified and are subject to change without notice.

THIS SPACE FOR ARCHITECT/ENGINEER APPROVAL.

SPEAKMAN®

400 ANCHOR MILL ROAD | NEW CASTLE, DE 19720
P: 800-537-2107 | F: 800-977-2747
WWW.SPEAKMANCOMPANY.COM



Management Systems
Registered to ISO 9001

REVISION DATE: DECEMBER 2014