

**DESCRIPTION**

Complete vitreous china top spud urinal.

Flush Cycle

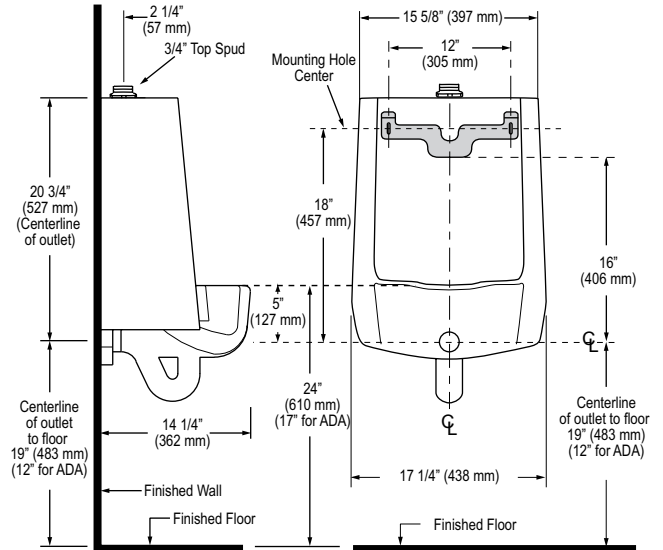
- Model SU-1000-0.125 (0.125 gpf/0.5 Lpf)  
Code: 1101000
- Model SU-1002-0.25 (0.25 gpf/1.0 Lpf)  
Code: 1101002
- Model SU-1005-0.5 (0.5 gpf/1.9 Lpf)  
Code: 1101005



**SPECIFICATIONS**

Urinal

- Wall hung top spud vitreous china
- Washdown flushing action
- 3/4" I.P.S. top spud inlet
- 2" NPT outlet flange
- All mounting hardware included
- Integral flushing rim
- 100 % factory flush tested
- Compliant to the applicable sections of ASME A112.19.2/CSA B45.1
- Carrier not included



NOTE: All vitreous china dimensions shown in these drawings are nominal. Dimensions can vary within the tolerances established in the governing ASME A112.19.2/CSA B45.1 standard. Please take this into consideration when planning rough-in and plumbing layouts.

**Product Specification**

Washdown urinal shall be made of vitreous china with a 3/4" top spud. Urinal shall have a 2" NPT outlet flange. Urinal shall include a removable strainer, inlet spud and hanger. Urinal shall be Sloan Model SU-10\_\_-\_\_gpf.



Meets the American Disabilities Guidelines and ANSI A117.1 requirements when installed at the proper height requirements for accessibility.

NOTE: Plumbing System Requirements

- ✓ Minimum Flowing Pressure: 25 PSI
- ✓ Maximum Fixture Static Pressure: 80 PSI



This space for Architect/Engineer approval	
Job Name	Date
Model Specified	Quantity
Variations Specified	
Customer/Wholesaler	
Contractor	
Architect	

**SLOAN**<sup>®</sup>

Sloan Valve Company  
10500 Seymour Avenue,  
Franklin Park, IL 60131  
Phone: 1-800-9-VALVE-9 (982-5839)  
or 1-847-671-4300  
Fax: 1-800-447-8329 or 1-847-671-4380  
www.sloanvalve.com

Copyright © 2013 Sloan Valve Company  
SU-1000 09-13