



Efficiency Series

Model

ST-2020-A Series

ADA Compliant HET Vitreous China Water Closet

DESCRIPTION

Complete ADA compliant vitreous HET china fixture.

Flush Cycle

Model ST-2020-A-1.28 (1.28 gpf/4.8 Lpf)

Model ST-2022-A-Dual Flush

(Full Flush 1.6 gpf/6.0 Lpf, Reduced Flush 1.1 gpf/4.2 Lpf)



SPECIFICATIONS

Fixture

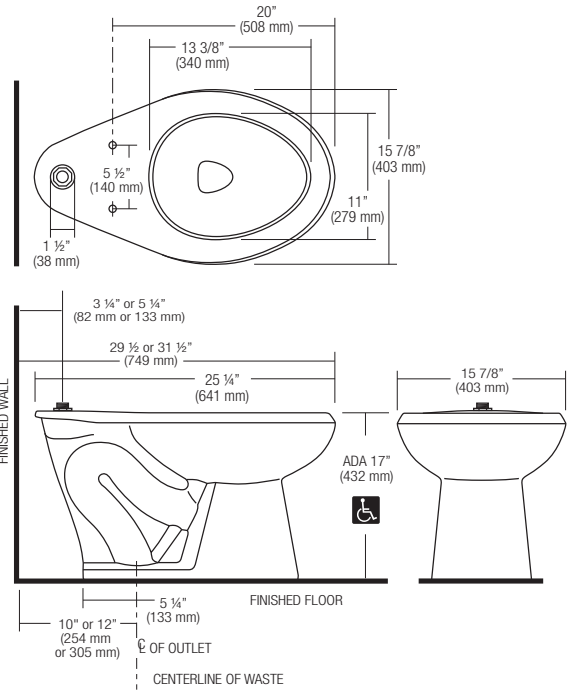
- ADA Compliant
- Vitreous China
- Floor Mounted
- Siphon Jet Flushing Action
- 1 1/2" I.P.S. top spud inlet
- 2 1/8" trapway diameter
- Fully Glazed Trapway
- Toilet Seat Not Included
- Integral Flushing Rim
- Elongated Bowl
- Water Spot Area 10" x 7 1/2"
- Closet Bolts and Caps Included
- Water closet compliant to the applicable sections of ASME A112.19.2/CSA B45.1

Colors/Finishes

- White

Recommended Accessories

- Toilet seat not included
- Compatible with Toilet Seat models:
Olsonite 10CT
Bemis 1955 CT
Church Commercial 295CT



Product Specification

Elongated water closet shall be made of vitreous china with a 1 1/2" top spud. Bowl shall be ADA compliant when installed at required height of 17" from floor to top of fixture. Water closet shall be floor mounted. Water Closet shall be Sloan Model ST-20__-A-__.

Meets the American Disabilities Guidelines and ANSI A117.1 requirements when installed according to these requirements.



NOTE:

Plumbing System Requirements

✓ Minimum **Flowing** Pressure: 25 PSI

✓ Minimum Flow Rate: 18 GPM



Listed by I.A.P.M.O.

This space for Architect/Engineer approval	
Job Name	Date
Model Specified	Quantity
Variations Specified	
Customer/Wholesaler	
Contractor	
Architect	



Sloan Valve Company
10500 Seymour Avenue,
Franklin Park, IL 60131
Phone: 1-800-9-VALVE-9 (982-5839)
or 1-847-671-4300
Fax: 1-800-447-8329 or 1-847-671-4380
www.sloanvalve.com

Copyright © 2011 Sloan Valve Company
12/11 Rev. 0e