



Efficiency Series

Model  
**ST-2003-1.6**  
Vitreous China Water Closet

**DESCRIPTION**

Complete vitreous china water closet.

**Flush Cycle**

Model ST-2003-1.6 (1.6 gpf/6.0 Lpf)



**SPECIFICATIONS**

**Water Closet**

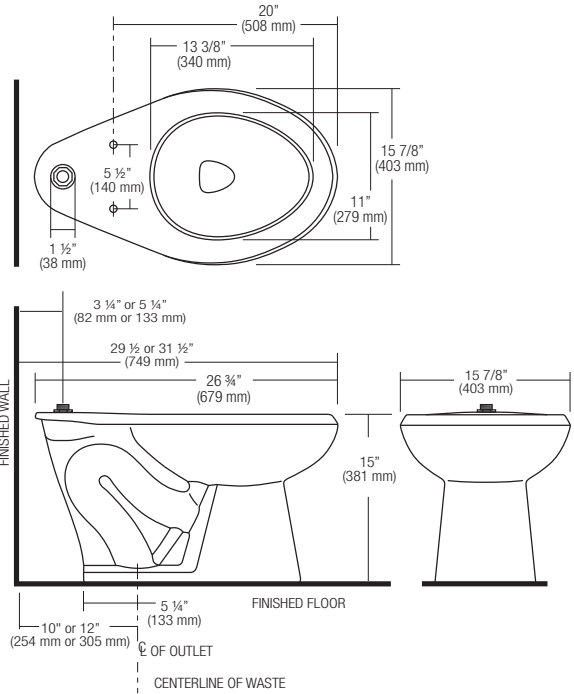
- Vitreous china
- Floor mounted
- Siphon jet flushing action
- 1.5" I.P.S. top spud inlet
- 2" trapway diameter
- Fully glazed trapway
- Toilet seat not included
- Integral flushing rim
- Elongated bowl
- Water spot area 9 1/2" x 7 3/8"
- Closet bolts and caps included
- Water closet compliant to the applicable sections of ASME A112.19.2/CSA B45.1

**Colors/Finishes**

- White

**Recommended Accessories**

- Compatible with toilet seat models:  
Olsonite 10CT  
Bemis 1955 CT  
Church Commercial 295CT



**Product Specification**

Elongated water closet shall be made of vitreous china with a 1.5" top spud. Water Closet shall use 1.6 gpf / 6.0 Lpf. Water Closet shall be Sloan Model ST-2003-1.6.

**NOTE:**

- Plumbing System Requirements
- ✓ Minimum **Flowing** Pressure: 25 PSI
- ✓ Minimum Flow Rate: 18 GPM



Listed by I.A.P.M.O.



Sloan Valve Company is buying renewable energy certificates to meet 100% of the company's purchased electricity use at its Franklin Park, Illinois facility.

This space for Architect/Engineer approval	
Job Name	Date
Model Specified	Quantity
Variations Specified	
Customer/Wholesaler	
Contractor	
Architect	



Sloan Valve Company  
 10500 Seymour Avenue,  
 Franklin Park, IL 60131  
 Phone: 1-800-9-VALVE-9 (982-5839)  
 or 1-847-671-4300  
 Fax: 1-800-447-8329 or 1-847-671-4380  
 www.sloanvalve.com

Copyright © 2010 Sloan Valve Company  
01/10 Rev. 0b