

DESCRIPTION

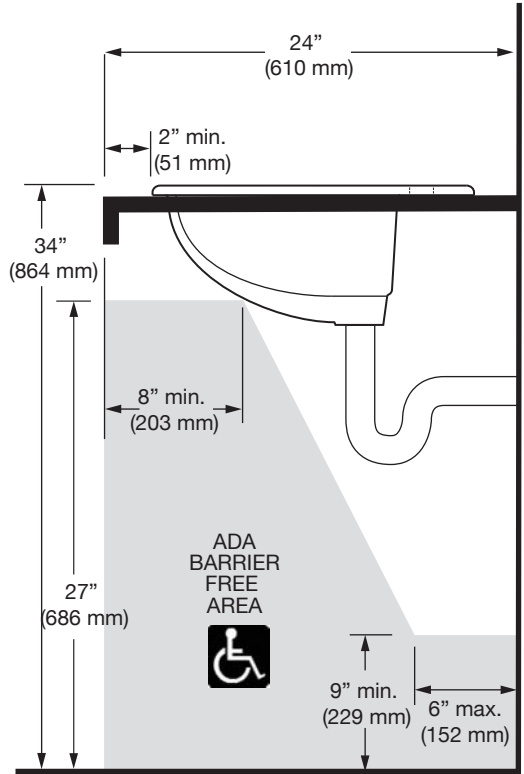
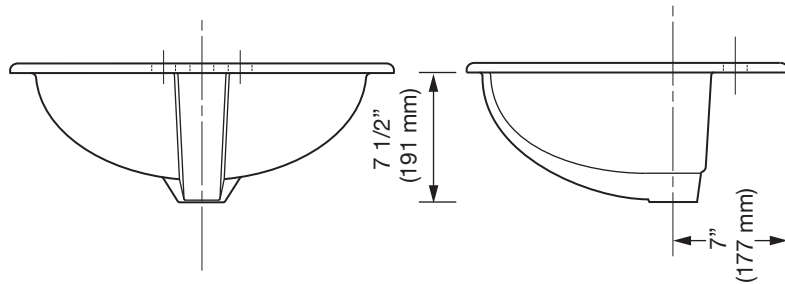
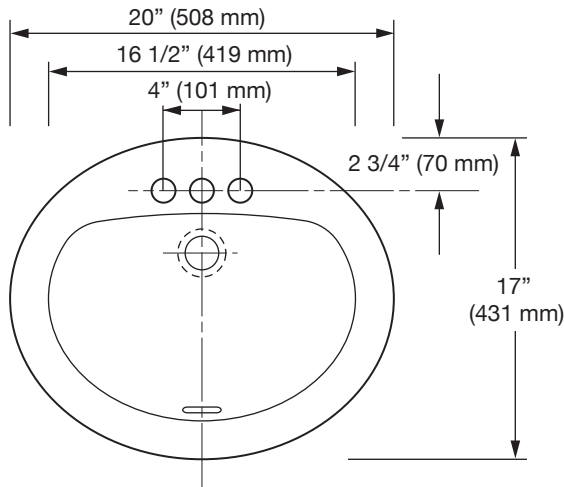
Complete vitreous china lavatory
 Model SS-3002



SPECIFICATIONS

Lavatory

- White vitreous china
- Self-rimming
- 4" (102 mm) centers
- Overflow
- ADA compliant when mounted with lavatory mounted at 34" from finished floor. See illustration for recommended ADA installation
- 20" (508 mm) x 17" (431 mm)
- Compliant to the applicable sections of ASME A112.19.2/CSA B45.1



Product Specification

Sink shall be made of vitreous china with an overflow. Sink shall be drop-in mounted. Sink shall have a 4" centerset. Sink shall be Sloan Model SS-3002.

Important: Fixture dimensions are nominal and may vary slightly from drawings.

This space for Architect/Engineer approval	
Job Name _____	Date _____
Model Specified _____	Quantity _____
Variations Specified _____	
Customer/Wholesaler _____	
Contractor _____	
Architect _____	

The information contained in this document is subject to change without notice.



Listed by I.A.P.M.O



Sloan Valve Company is buying renewable energy certificates to meet 100% of the company's purchased electricity use at its Franklin Park, Illinois facility.

SLOAN®

Sloan Valve Company
 10500 Seymour Avenue
 Franklin Park, IL 60131
 Phone: 1-800-9-VALVE-9 (982-5839)
 or 1-847-671-4300
 Fax: 1-800-447-8329 or 1-847-671-4380
 www.sloanvalve.com

Copyright © 2010 Sloan Valve Company
 01/10 Rev. 0c