



DESCRIPTION

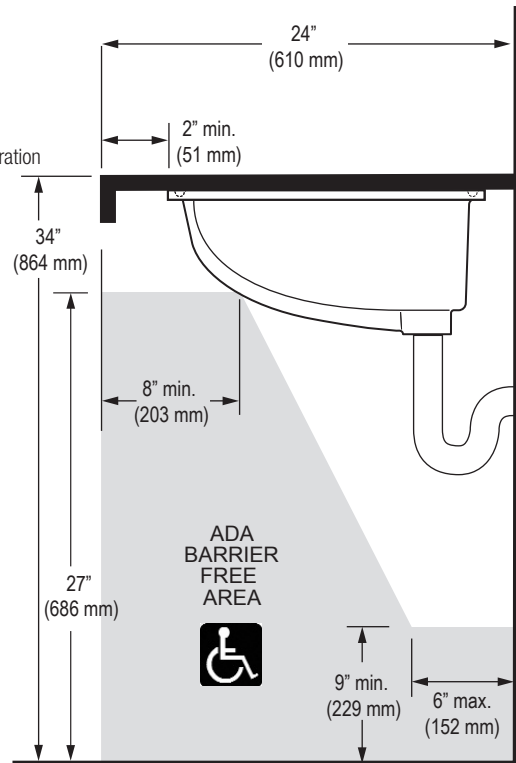
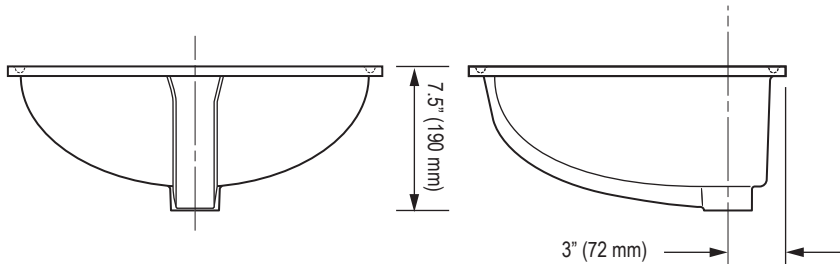
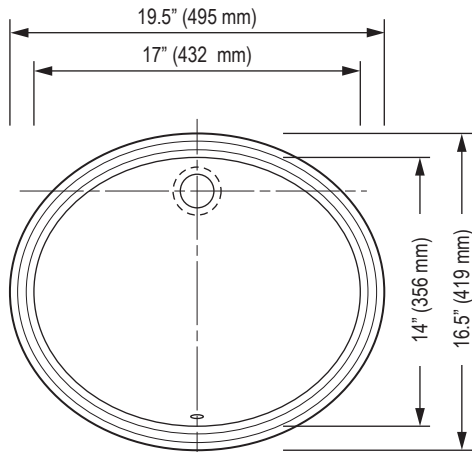
Complete vitreous china lavatory
Model SS-3001



SPECIFICATIONS

Lavatory

- White vitreous china
- Overflow
- ADA compliant when mounted with lavatory mounted at 34" from finished floor. See illustration for recommended ADA installation
- 19.5" (495 mm) x 16.5" (419 mm)



Product Specification

Sink shall be made of vitreous china with an overflow. Sink shall be under mounted. Sink shall have an overflow. Sink shall be Sloan Model SS-3001.



Listed by I.A.P.M.O



Sloan Valve Company is buying renewable energy certificates to meet 100% of the company's purchased electricity use at its Franklin Park, Illinois facility.

Important: Fixture dimensions are nominal and may vary slightly from drawings.

This space for Architect/Engineer approval

Job Name	Date
Model Specified	Quantity
Variations Specified	
Customer/Wholesaler	
Contractor	
Architect	

SLOAN®

Sloan Valve Company
10500 Seymour Avenue, Franklin Park, IL 60131
Phone: 1-800-9-VALVE-9 (982-5839)
or 1-847-671-4300
Fax: 1-800-447-8329 or 1-847-671-4380
www.sloanvalve.com

Copyright © 2010 Sloan Valve Company
01/10 Rev. 0a