

# 952-1.6

## Hydraulic Sloan® Model Flushometer



### Description

Concealed Hydraulically Activated Water Closet Flushometer for wall hung concealed back spud bowls.

### Flush Cycle

Model 952-1.6 Low Consumption (1.6 gpf/6.0 Lpf)

### Variations

- TP** Trap Primer Elbow
- YI** Two Wall Bumpers (for open front seat without cover)
- DFB** Dual Filtered Fixed Bypass Diaphragm

### Specifications

Quiet, Concealed, Diaphragm Type, Rough Brass Closet Flushometer for either left or right hand supply with the following features:

- High Chloramine Resistant PERMEX™ Synthetic Rubber Diaphragm with Linear Filtered Bypass and Vortex Cleansing Action™
- ADA Compliant Non-Hold-Open feature type Actuator (**specify Actuator type listed below**)
- 1" I.P.S. Wheel Handle Bak-Chek® Angle Stop
- Adjustable Tailpiece
- Vacuum Breaker
- Double Slip Elbow Flush Connection and Spud Coupling for 1½" Concealed Back Spud
- High Copper, Low Zinc Brass Castings for Dezincification Resistance
- Fixed Metering Bypass and No External Volume Adjustment to Ensure Water Conservation.
- Low Consumption flush accuracy
- Diaphragm, Stop Seat and Vacuum Breaker molded from PERMEX™ Rubber Compound for Chloramine Resistance.

Valve Body, Cover, Tailpiece and Control Stop shall be in conformance with ASTM Alloy Classification for Semi-Red Brass. Valve shall be in compliance to the applicable sections of ASSE 1037, ANSI/ASME 112.19.2, and Military Specification V-29193.

### L Dimension

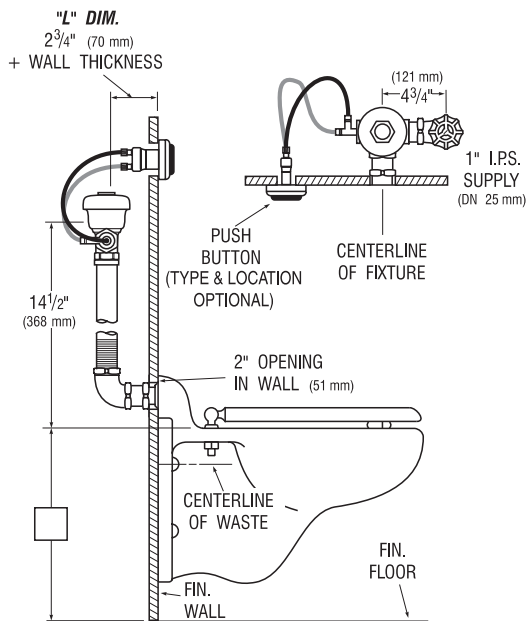
Specify the "L" Dimension for the proper length of the Flush Connection. The "L" Dimension is equal to the Wall Thickness (to the nearest whole inch) plus 2¾".

### Actuator Types: (please check one)

- FW** Fixture Wall Actuator (HY-33-A) (rear access required)
- MP** Metal Partition Actuator (HY-49-A)
- SW** Side Wall Mounted Actuator (HY-72-A)
- MBFW** Metal Button Fixture Wall Actuator (HY-100-A) (rear access required)
- MBPM** Metal Button Panel Mount (HY-108-A)

See Actuator Specification pages in this section for details on Actuators.

See Accessories Section of the Sloan catalog for details on these and other Flushometer variations.



See Accessories Section of the Sloan catalog for details on these and other Flushometer variations.



This space for Architect/Engineer approval

Job Name \_\_\_\_\_ Date \_\_\_\_\_

Model Specified \_\_\_\_\_ Quantity \_\_\_\_\_

Variations Specified \_\_\_\_\_

Customer/Wholesaler \_\_\_\_\_

Contractor \_\_\_\_\_

Architect \_\_\_\_\_

The information contained in this document is subject to change without notice.



Made in the U.S.A.