

EBV-500-A

Single-Flush Side Mount

Description

Battery-Powered, Sensor-Activated, Single-Flush Retrofit Conversion Kit for Exposed Closet or Urinal Flushometers.

Model

- EBV-500-A** Single-Flush Side Mount Unit
Code No. 3325500

Specifications

Quiet, Exposed, Optima Plus®, Battery Powered, Sensor-Activated, Single-Flush (sold separately) Retrofit Conversion Kits for Exposed Closet or Urinal Sloan flushometers with the following features:

- ADA Compliant Optima Plus® Battery Powered Infrared Side Mount Sensor for automatic "No Hands" operation
- Chrome Plated Infrared Sensor Housing
- Non-Hold-Open True Mechanical Override Full Flush Button
- Initial Set-up Range Indicator Light (first 10 minutes)
- User-friendly three (3) second Flush Delay
- Four (4) Size C Batteries included
- "Low Battery" Flashing LED
- "User in View" Flashing LED
- Can be installed when handle is on left side or right side of valve
- Installation Tools provided
- No External Volume Adjustment to Ensure Water Conservation

The Side Mount units can be used on standard rough-in Sloan, Royal, Regal, Crown and Zurn flushometers.

Variations

- G** For Sloan GEM Flushometers – **EBV-500-A-G**
Code No. 3325502

Fixtures

Consult Sloan for Sloan brand matching fixture options.



Side Mount units do NOT include the flushometer

Smart Sense Technology™

Sloan® SFSM flushometers are equipped with Smart Sense Technology™, which applies extended range and logic techniques to significantly reduce water usage in high use urinal applications, such as when a continuous line of people (or queue) forms. In fact, during a continuous queue, regardless of the number of users, the maximum amount of water used is only 2.5 gallons, assuming a 0.5 gpf diaphragm kit. Please contact Sloan for specific details.

Automatic Operation

Sloan's SFSM flushometers are activated via multi-lobular infrared sensor. The sensor sets the flushing mechanism when the user is detected and completes the flush when the user steps away.

Manual Operation

Sloan's SFSM flushometers can also be activated manually by pushing the black TMO button.

Hygienic

Touchless, sensor activation eliminates the need for user contact except to initiate the True Mechanical Override button when required, to help control the spread of infectious diseases. The 72-Hour Sentinel Flush keeps fixture fresh during periods of non-use.

Warranty

3 year (limited)



This space for Architect/Engineer approval

Job Name _____ Date _____

Model Specified _____ Quantity _____

Variations Specified _____

Customer/Wholesaler _____

Contractor _____

Architect _____

EBV-500-A

Single-Flush Side Mount

Description

Battery-Powered, Sensor-Activated, Single-Flush Retrofit Conversion Kit for Exposed Closet or Urinal Flushometers.

Model

□ **EBV-500-A** Single-Flush Side Mount Unit
Code No. 3325500

ELECTRICAL SPECIFICATIONS

Control Circuit

Solid State
6 VDC Input
72 Hour Sentinel Flush
Closet Range: 2-3 Second
Arming Delay
Urinal Range: 1-2 Second
Arming Delay

SFSM Sensor Type

Infrared Convergence Type
Object Lock Detection

SFSM Sensor Range

Factory Set at
22" - 42" (559 mm-1067 mm)
If converted to urinal range setting:
15" - 30" (381 mm-762 mm)

Battery Type

(4) Size C Alkaline

Battery Life

3 Years @ 3,000 Flushes/Month

Indicator Lights

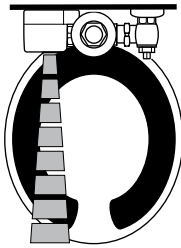
User in View/Low Battery

Valve Operating Pressure (Flowing)

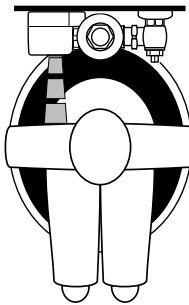
25 - 80 PSI (172-552 kPa)

OPERATION

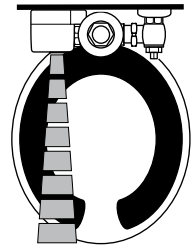
1. A continuous, invisible light beam is emitted from the object lock infrared sensor.



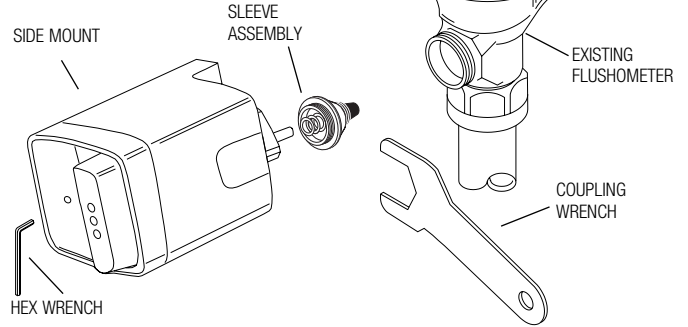
2. As the user enters the beam's effective range, 22" - 42" (559 mm to 1067 mm), the beam is reflected into the scanner window to activate the output circuit. Once activated, the output circuit continues in a "hold" mode for as long as the user remains within the effective range of the sensor.



3. When the user steps away from the infrared sensor, the circuit initiates the flushing cycle to flush the fixture. The circuit then automatically resets and is ready for the next user.

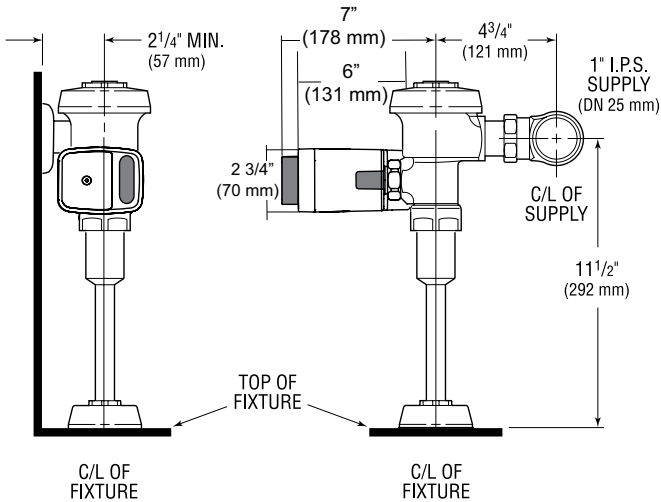


SIDE MOUNT COMPONENTS

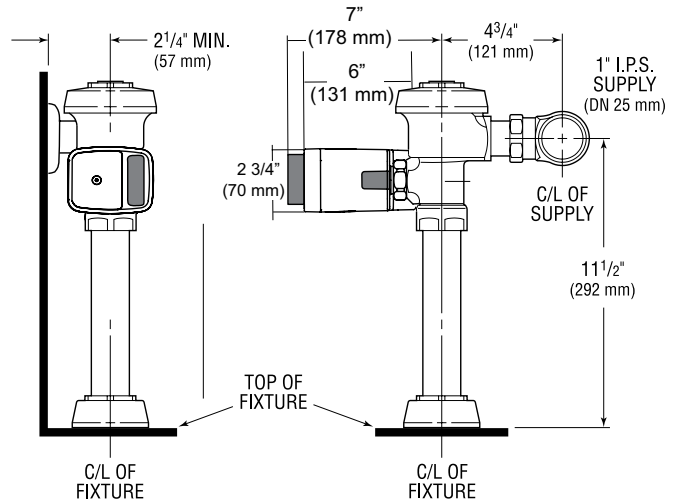


ROUGH-IN

EBV-500-A Single-Flush Side Mount unit shown on an existing Royal Model 186 Urinal Flushometer



EBV-500-A Single-Flush Side Mount unit shown on an existing Royal Model 111 Closet Flushometer



SLOAN HEADQUARTERS • 10500 SEYMOUR AVENUE • FRANKLIN PARK, IL 60131

Phone: 1-800-9-VALVE-9 or 1-847-671-4300 • Fax: 1-800-447-8329 or 1-847-671-4380 • www.sloanvalve.com