



Efficiency Series

Model  
**ST-2050-A-Series**  
Vitreous China Elongated Water Closet

**DESCRIPTION**

Complete vitreous elongated china fixture.

**Models**

- Model ST-2050-A-1.28 (1.28 gpf/4.8 Lpf)
- Model ST-2052-A-Dual Flush Wall Mount (Full Flush 1.6 gpf/6.0 Lpf, Reduced Flush 1.1 gpf/4.2 Lpf)



**SPECIFICATIONS**

**Water Closet**

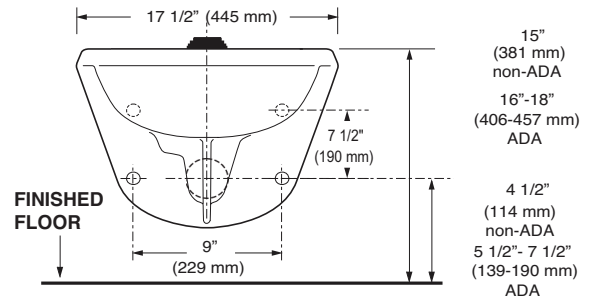
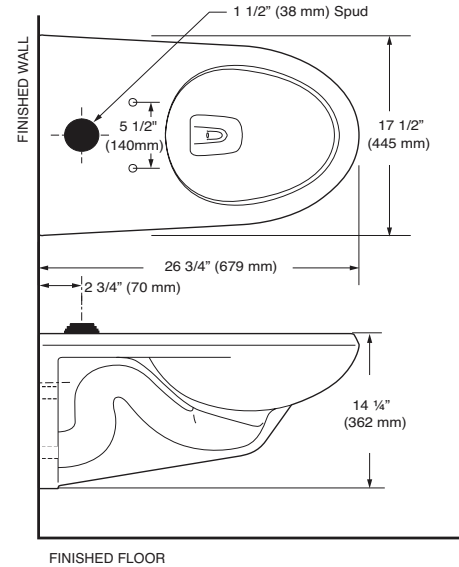
- Wall hung vitreous china elongated bowl
- Siphon jet flushing action
- 1 1/2" I.P.S. top spud inlet
- 2 1/8" fully glazed trapway diameter
- Mounting hardware, carrier and toilet seat not included
- Integral flushing rim
- Water spot area 9 1/2" x 8 1/4"
- ASME A112.19.2/CSA B45.1

**Colors/Finishes**

- White

**Recommended Accessories**

- Compatible with toilet seat models:  
Olsonite 10CT  
Bemis 1955 CT  
Church Commercial 295CT
- Compatible with carrier model:  
Jay R. Smith 0210Y-M54



Designed to Meet ADA standards  
when bowl is 17" - 19" high including seat

Meets the American Disabilities Guidelines and ANSI A117.1 requirements when installed according to these requirements.



**NOTE:** Plumbing System Requirements  
 ✓ Minimum **Flowing** Pressure: 25 PSI  
 ✓ Minimum Flow Rate: 18 GPM

**Product Specification**

Elongated water closet shall be made of vitreous china with a 1 1/2" top spud inlet. Bowl shall be ADA compliant when installed at required height of 17"-19" from floor to top of fixture (including seat). Water Closet shall be Sloan Model ST-20\_\_\_\_-A-\_\_\_\_\_.



Listed by I.A.P.M.O.

This space for Architect/Engineer approval	
Job Name _____	Date _____
Model Specified _____	Quantity _____
Variations Specified _____	
Customer/Wholesaler _____	
Contractor _____	
Architect _____	



Sloan Valve Company  
 10500 Seymour Avenue,  
 Franklin Park, IL 60131  
 Phone: 1-800-9-VALVE-9 (982-5839)  
 or 1-847-671-4300  
 Fax: 1-800-447-8329 or 1-847-671-4380  
 www.sloanvalve.com

Copyright © 2011 Sloan Valve Company.  
Rev. 0d (06/11)