

# ABOVE-GRADE FLASHING DRAIN

833 series

Finish Line™

## SPECIFICATION

Sioux Chief 833 series Finish Line adjustable above-grade flashing drain shall be used where necessary in drainage systems. Flashing drain shall allow adjustment of 1.25" before the concrete pour, and 1.25" after the concrete pour. Flashing drain shall have an invertible flashing collar, and a Sch. 40 hub connection. Strainer shall be heel-proof and meet all applicable load requirements for intended use. Trap primer port shall be threaded 1/2" FIP for optional connection. Designed in accordance with ASME A112.6.3-2001

Item # Submitted	_____
Job Name	_____
Location	_____
Engineer	_____
Contractor	_____
PO#	_____ TAG _____

## MATERIALS

ring/strainer: nickel-bronze, 304 stainless steel  
 head adapter, coring sleeve: ABS  
 coring plug: high-impact polymer  
 base adapter : ABS, PVC

## STRAINER LOAD RATING

nickel-bronze: 1,000 lbs. (light duty, pedestrian traffic)  
 stainless steel: 2,000 lbs. (light duty, pedestrian traffic)

## STRAINER FREE AREA

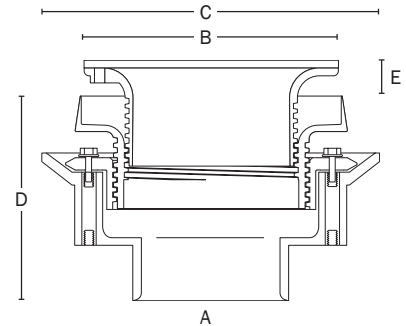
	large	standard
round:	11.75 in <sup>2</sup>	7.5 in <sup>2</sup>
square:	16.4 in <sup>2</sup>	12.75 in <sup>2</sup>

## DIMENSIONS

A: connection	2", 3", or 4"
B: ring/strainer diameter	
round	5 1/2" or 6 1/2"
square	5 7/8" or 7"
C: flange diameter	8 1/2"
D: pre-pour adjustment	
no-hub	4 7/8" - 7 5/16"
push-joint	5 1/4" - 7 11/16"
E: post-pour adjustment	
round	0" - 1 1/4"
square	5/16" - 1 1/4"
Trap primer port	1/2" FIP thread, plugged



833-3PNR



Models 833-3ANR, 833-3PNR, 833-3ANQ, and 833-3PNQ are UPC listed

Create Item Number

**833- ABCD**

e.g. 833-23NR = Finish Line flashing drain with 3" no-hub connection with vandal resistant nickel ring and strainer

A	CONNECTION / TOP SIZE
<input type="checkbox"/> 2	2" conn. / large top
<input type="checkbox"/> 25	2" conn. / standard top
<input type="checkbox"/> 3	3" conn. / large top
<input type="checkbox"/> 35	3" conn. / standard top
<input type="checkbox"/> 4	4" conn. / large top

B	CONNECTION TYPE
<input type="checkbox"/> A	ABS Sch. 40 hub
<input type="checkbox"/> P	PVC Sch. 40 hub

C	RING & STRAINER
<input type="checkbox"/> NR	round nickel-bronze
<input type="checkbox"/> NQ	square nickel-bronze
<input type="checkbox"/> SR	round stainless steel
<input type="checkbox"/> SQ	square stainless steel

D	OPTIONS (FACTORY INSTALLED)
<input type="checkbox"/> V	vandal-resistant strainer screws
<input type="checkbox"/> H	hinged strainer <sup>1</sup>
<input type="checkbox"/> E	1 3/8" extended strainer rim <sup>2</sup>
<input type="checkbox"/> B	complies with Buy American Act <sup>3</sup>

- Available for large hcd gfrUjbyfg only
- Available for large, round nickel-bronze strainers only
- Available for round nickel-bronze strainers only

ACCESSORIES
<input type="checkbox"/> 832-UM stainless steel debris screen <sup>4</sup>
<input type="checkbox"/> 832-S4 shim kit
<input type="checkbox"/> 832-EX4 ductile iron extension nipple <sup>4,5</sup>
<input type="checkbox"/> 832-W locating bristle kit
<input type="checkbox"/> 863-FN nickel-bronze condensate funnel
<input type="checkbox"/> 863-FA aluminum condensate funnel
<input type="checkbox"/> 863-FNO oval nickel-bronze condensate funnel

- For use with large top only
- Extends heads 2" (min) to 4" (max) above coring sleeve