

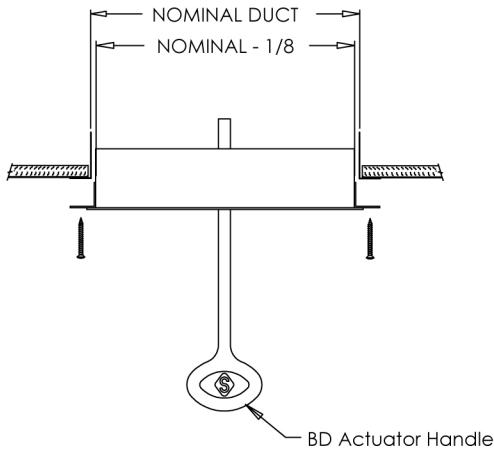
**91 Series
Round Damper**

Standard:

- Field installable Bowtie Damper with round ring
- Available in sizes 6, 8, 10, 12 & 14"
- Mill finish

Optional:

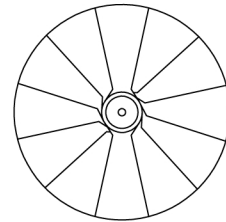
- Tamper Proof Screws
 - "E" One Way
 - "F" Torx Center Pin
 - "G" Hex Center Pin



BD

Open

Closed



91

PROJECT	SUBMITTAL REVIEW
LOCATION	
ENGINEER	
ARCHITECT	
CONTRACTOR	



Quality Registers, Grilles and Diffusers Since 1947

Size Chart

91		
Size	Ctn Qty	Availability
6"	30	•
8"	15	•
10"	15	•
12"	5	•
14"	5	•

104 N Montgomery Ave.
Cle Elum, WA 98922
USA

www.shoemakermfg.com

toll free: (866) 940-0696
local: (509) 674-4414
fax: (509) 674-4420
email: sm@shoemakermfg.com