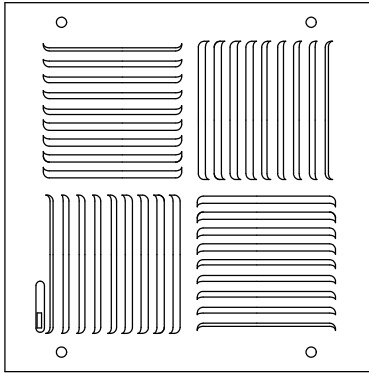


**150 Series  
 4-Way Ceiling Diffuser**

**Standard:**

- Louvered with stiffened 1/2" blade for silent operation
- Standard multi-shutter damper
- Countersunk mounting holes for flush appearance, with color matching Phillips posi-drive screws
- Soft White

**Optional:**

- Square to round no labor collar
- Tamper Proof Screws
  - "E" One Way
  - "F" Torx Center Pin
  - "G" Hex Center Pin

**Finishes:**

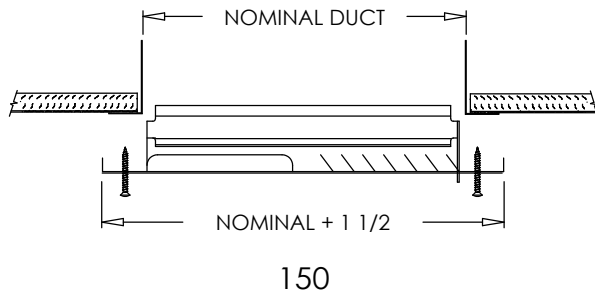
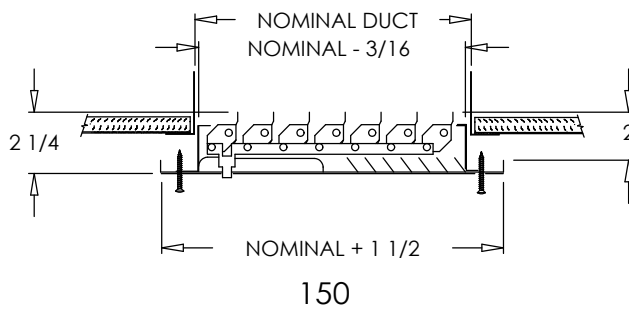
- Driftwood Tan

**Designer Colors:**

- |  |                                       |
|--|---------------------------------------|
| <input type="checkbox"/> Navajo White  | <input type="checkbox"/> Royal Blue   |
| <input type="checkbox"/> Forest Green  | <input type="checkbox"/> Coffee Tan   |
| <input type="checkbox"/> Burgundy      | <input type="checkbox"/> Almond       |
| <input type="checkbox"/> Camaro Silver | <input type="checkbox"/> Black velvet |
| <input type="checkbox"/> Bronze        | <input type="checkbox"/> Vanilla      |

**Plating:**

- |  |                                       |
|--|---------------------------------------|
| <input type="checkbox"/> Polished Brass  | <input type="checkbox"/> Copper       |
| <input type="checkbox"/> Antique Brass   | <input type="checkbox"/> Pewter       |
| <input type="checkbox"/> Polished Chrome | <input type="checkbox"/> Satin Nickel |



PROJECT	SUBMITTAL REVIEW
LOCATION	
ENGINEER	
ARCHITECT	
CONTRACTOR	