

**SPECIFICATIONS (PS-50-B)**

1. 4" inlet/outlets Sch. 40. (No-Hub)
2. Liquid capacity: 52 Gallons
3. Basket capacity: 8 Gallons
4. Unit weight w/std. covers: 100 lbs.
5. 2,000 lb. load rated, bolted, gas/water tight composite covers.
6. Maximum operating temperature 190°F continuous.

**NOTES**

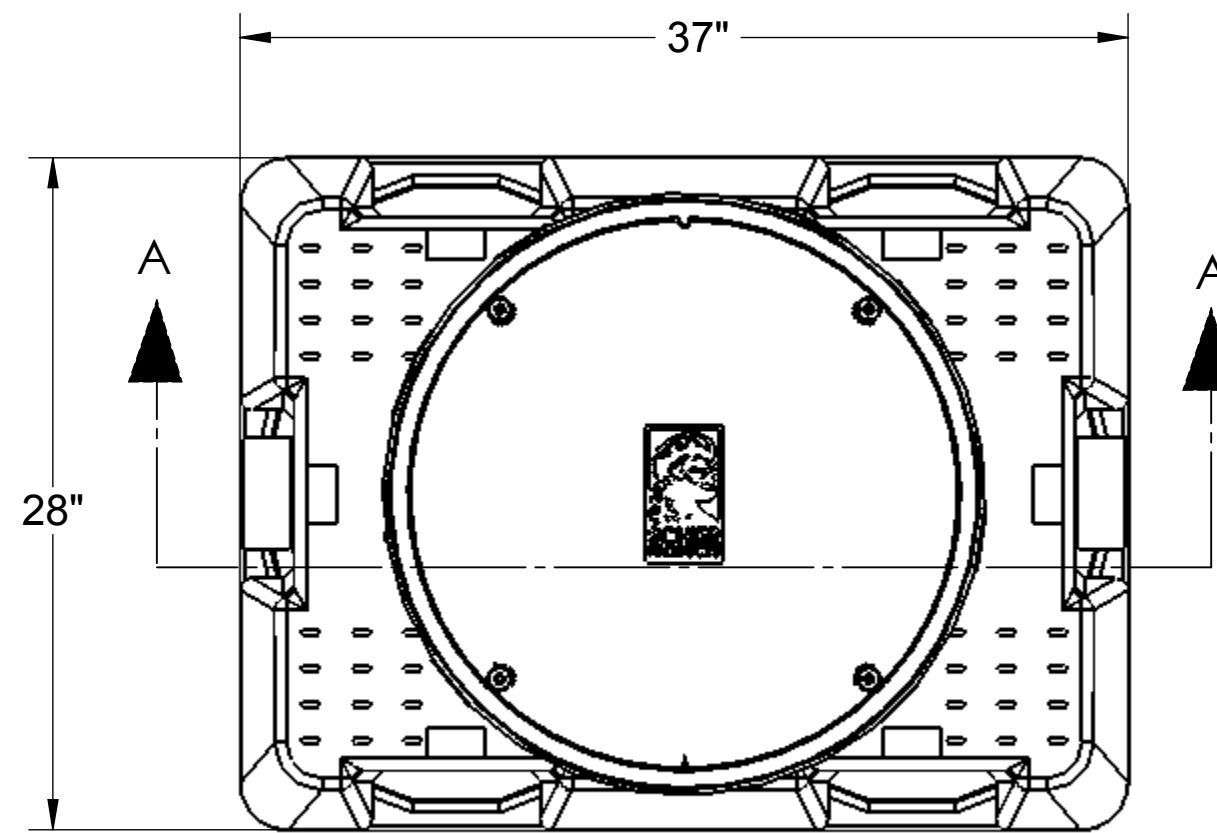
1. General purpose solids interceptor.
2. For gravity drainage applications only. Do not use for pressure applications.
3. 3/8" thick seamless high density polyethylene walls.
4. Unit supplied with built-in adapter for up to 3-1/2" of adjustability. Additional riser(s) are also available for deeper burial depth.
5. Cover placement allows full access to tank for proper maintenance.
6. Internal components are removable for easy maintenance.
7. For on-the-floor or buried applications.

**ENGINEER SPECIFICATION GUIDE**

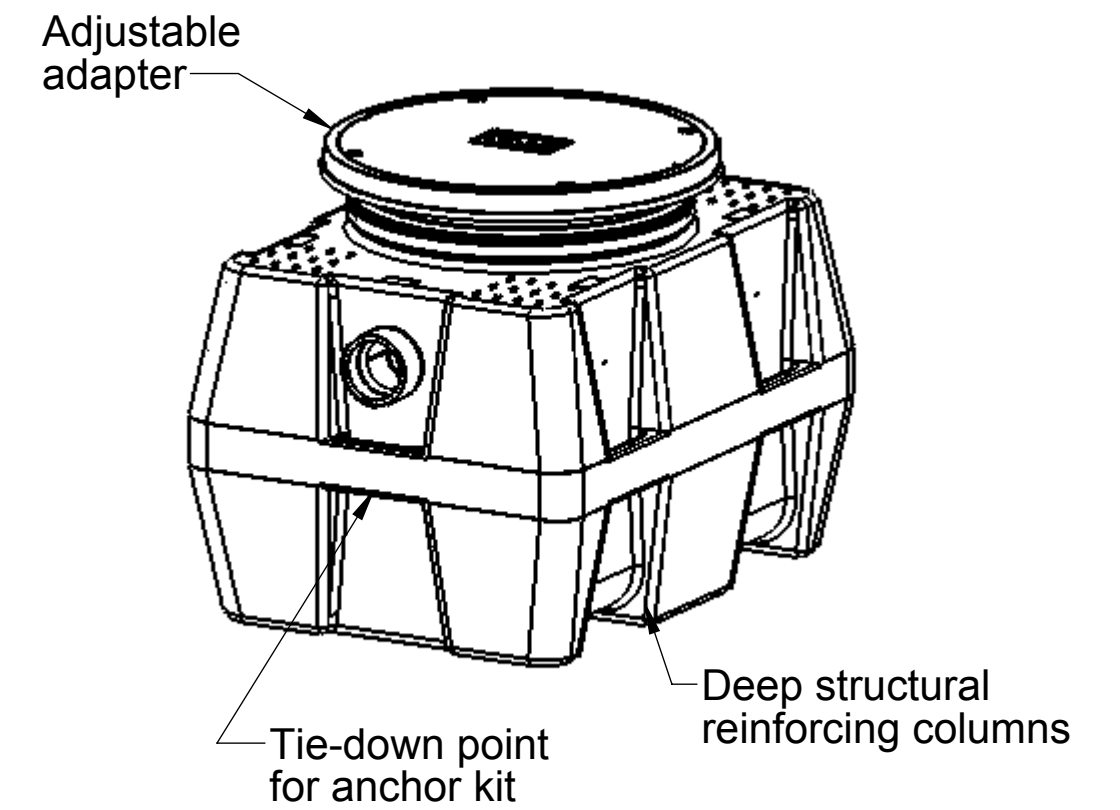
Schier Prospector™ solids interceptor model PS-50-B shall be lifetime guaranteed and Made in USA of seamless, rotationally-molded High Density Polyethylene with minimum 3/8" uniform wall thickness. Interceptor shall be furnished for above or below-grade installation. Interceptor shall be furnished with filter basket and connection for extending handle for deep burials. Cover shall provide water/gas-tight seal and have a minimum 2,000 lbs load capacity

**OPTIONS:**

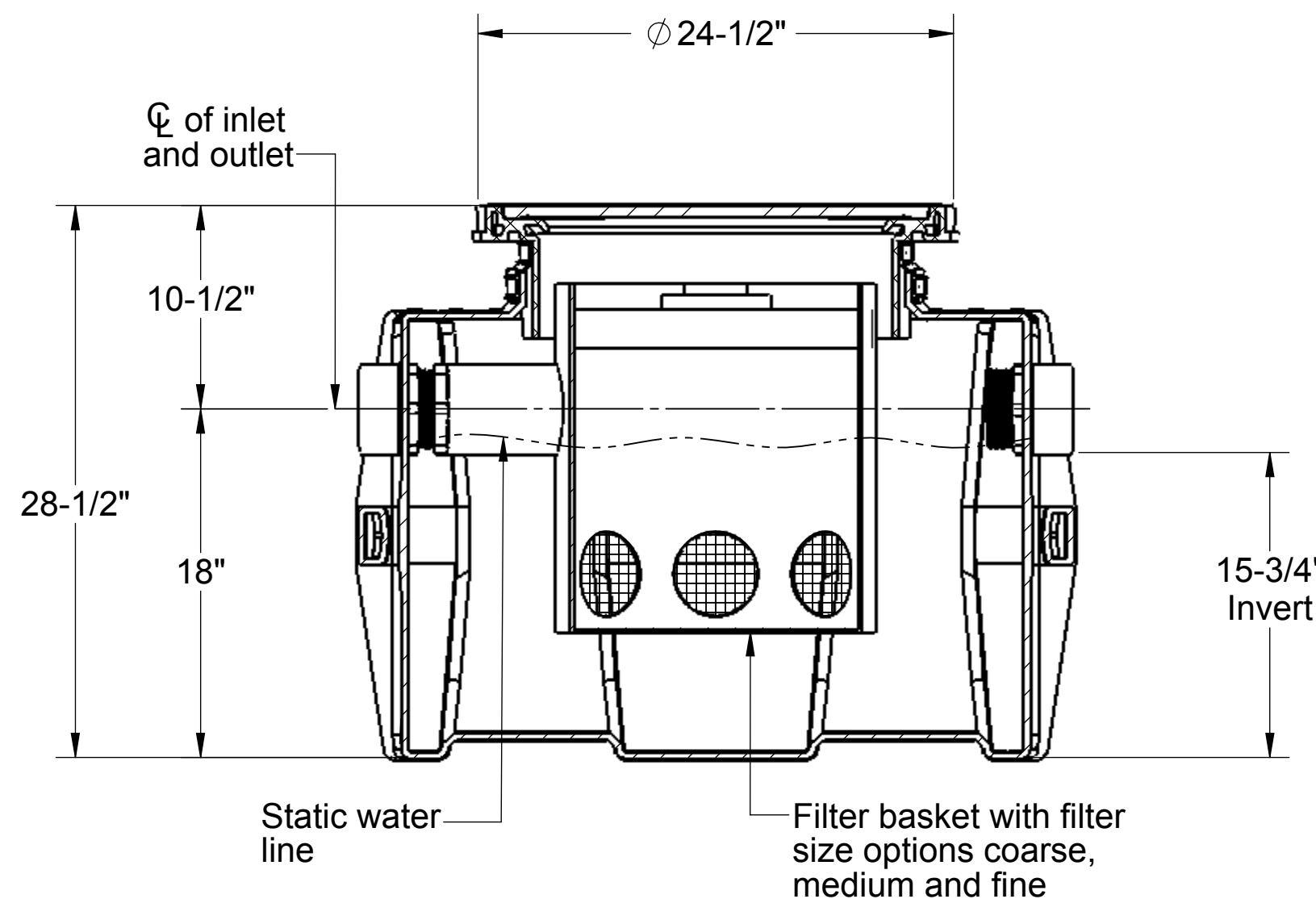
- Coarse filter with .30" x .27" openings
- Medium filter with .10" x .08" openings
- Fine filter with .03" x .025" openings
- Teleglide field adjustable risers for extending covers to grade
- Male pipe thread connections
- 3" Plain end pipe or male pipe thread connections
- High water anchor kit (set of 2)
- Highway rated bolted composite cover
- H2O rated pickable cast iron cover



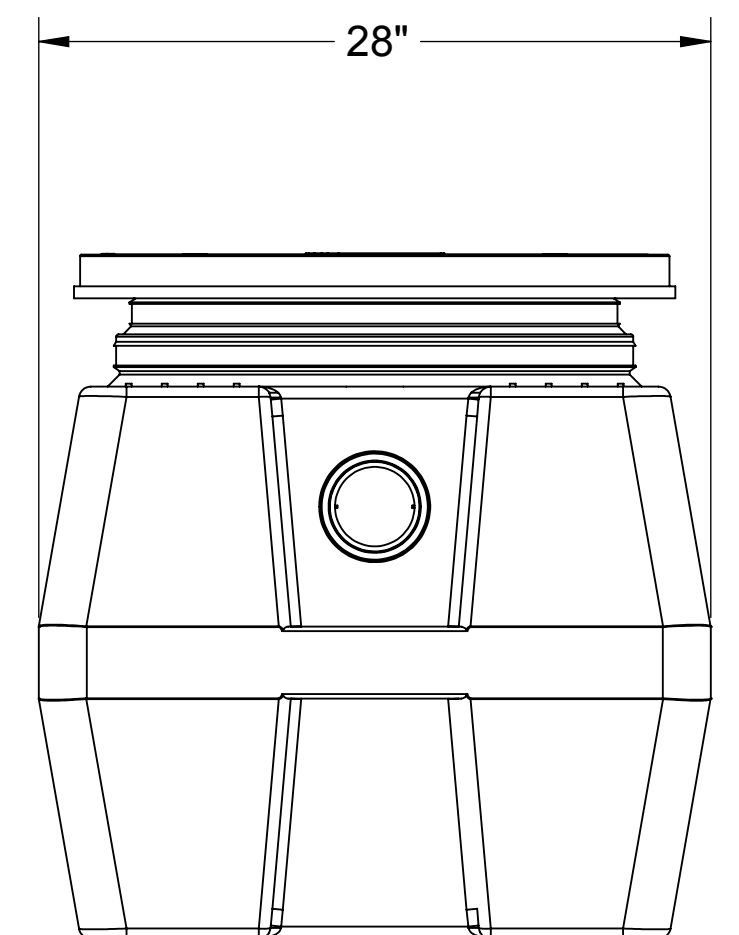
**TOP VIEW**



**ISOMETRIC VIEW**



**SECTION "A-A"**



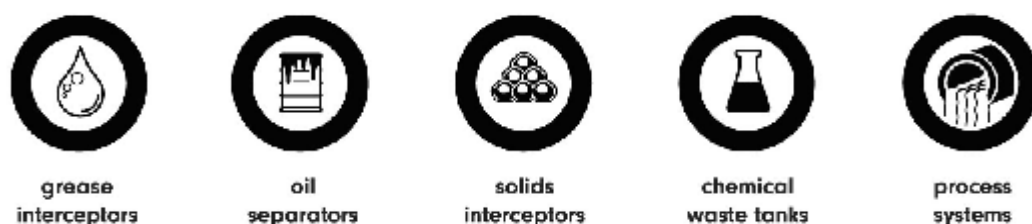
**END VIEW**

**PART NUMBER: PS-50-B**

DESCRIPTION:

**PROSPECTOR SERIES POLYETHYLENE BASKET STYLE SOLIDS INTERCEPTOR 52 LIQUID GALLON CAPACITY**

**SPECIFICATION SHEET**



PROPRIETARY AND CONFIDENTIAL

THE INFORMATION CONTAINED IN THIS DRAWING IS THE SOLE PROPERTY OF SCHIER PRODUCTS. ANY REPRODUCTION IN PART OR AS A WHOLE WITHOUT THE WRITTEN PERMISSION OF SCHIER PRODUCTS IS PROHIBITED.

**Schier Products**  
 9500 Woodend Road  
 Edwardsville, KS 66111  
 Tel: 800-827-7119  
 Fax: 800-827-9664  
 www.schierproducts.com



Made in the U.S.A

DWG BY: TEU    DATE: 12/27/11    REV: 1 - 4/23/13    MATL: PE