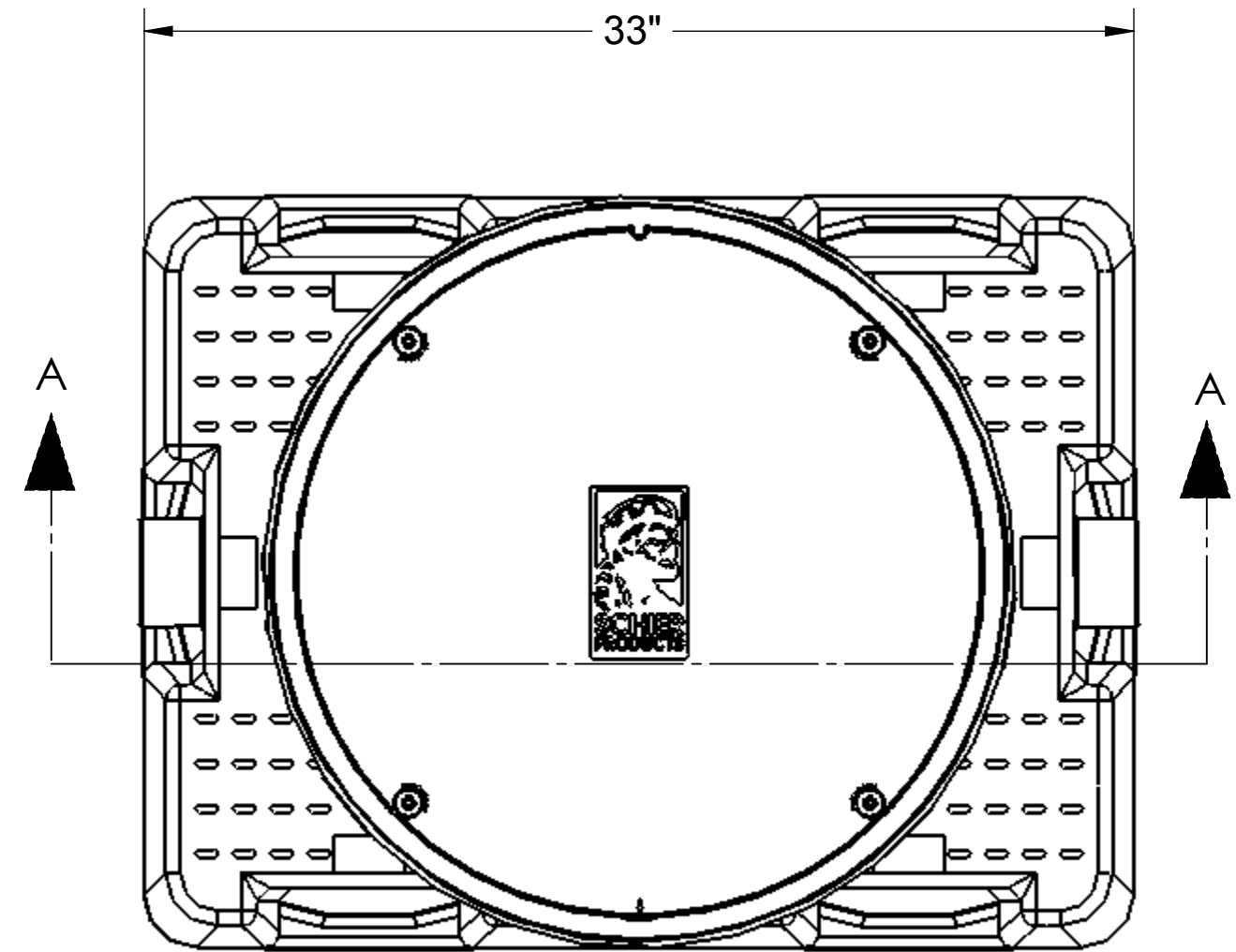


TAG NUMBER:

**SPECIFICATIONS (PS-35-B)**

1. 3" inlet/outlets Sch. 40. (No-Hub)
2. Liquid capacity: 35 Gallons
3. Basket capacity: 5 Gallons
4. Unit weight w/std. covers: 87 lbs.
5. 2,000 lb. load rated, bolted, gas/water tight composite covers.
6. Maximum operating temperature 190°F continuous.

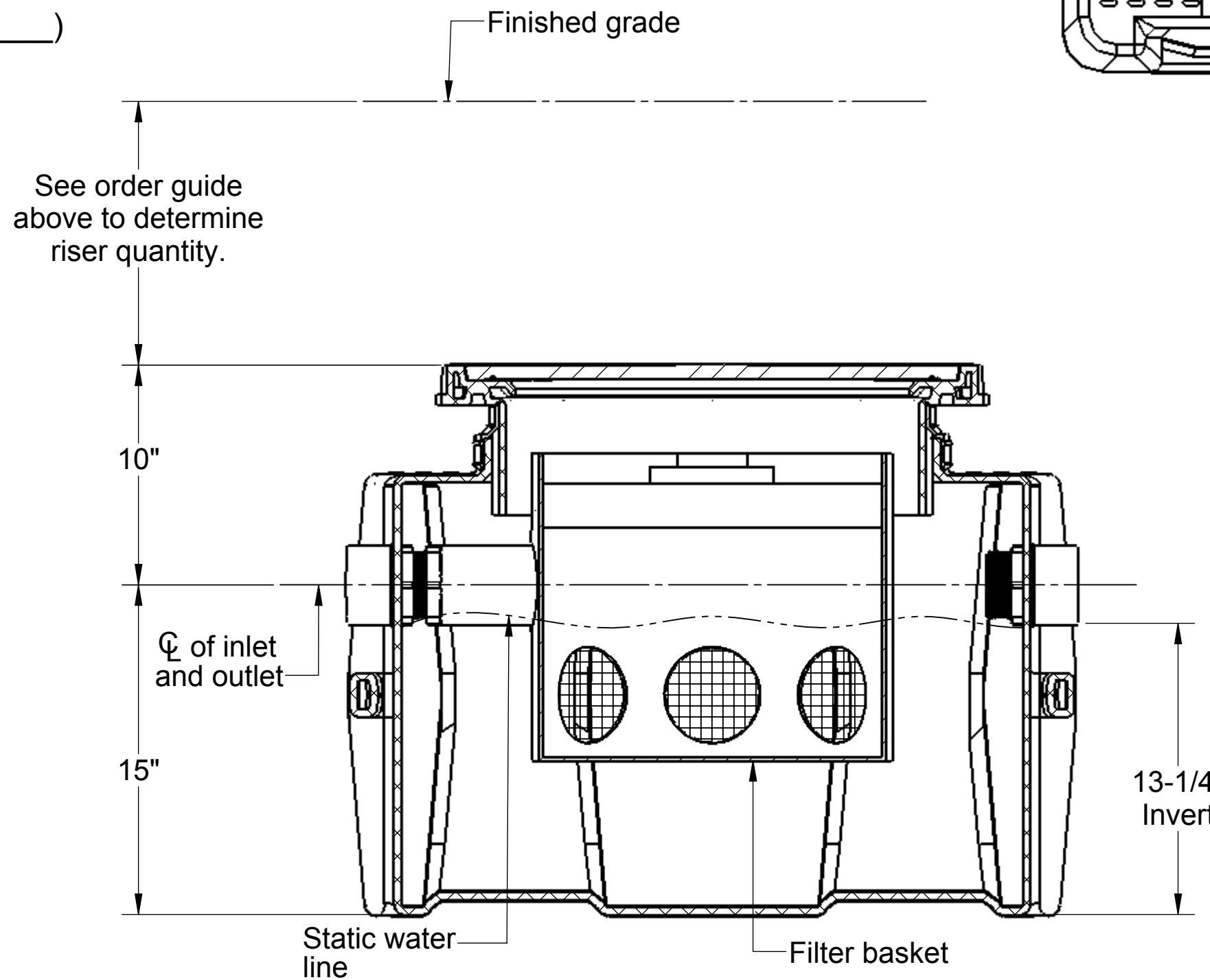
TeleGlide Riser Order Guide		
Riser Range	PS-35-B	
	SR24	LR24
0"-3 1/2"	0	0
>3 1/2"-22"	1	0
>22"-37"	0	1



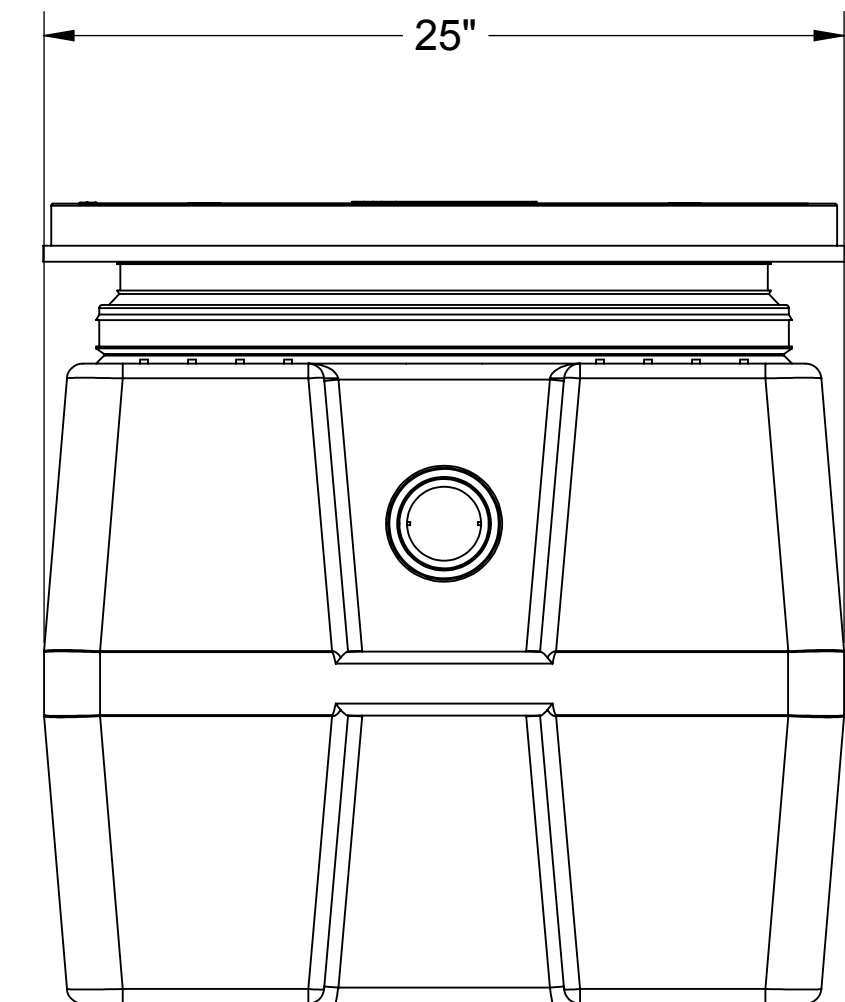
TOP VIEW

**OPTIONS**

- SR24** - Teleglide short adjustable riser (Qty. = \_\_\_\_\_)
- LR24** - Teleglide long adjustable riser (Qty. = \_\_\_\_\_)
- MPT** - Male pipe thread connections
- PS2** - 2" Plain End inlet/outlet connection
- PS4** - 4" Plain End inlet/outlet connection
- C** - Course filter basket (openings 0.3 x 0.27")
- M** - Medium filter basket (openings 0.1 x 0.08")
- F** - Fine filter basket (openings 0.03 x 0.025")



SECTION "A-A"



END VIEW

Signature of Approval: \_\_\_\_\_

Company: \_\_\_\_\_

Date of Approval: \_\_\_\_\_

Specifying Engineer: \_\_\_\_\_

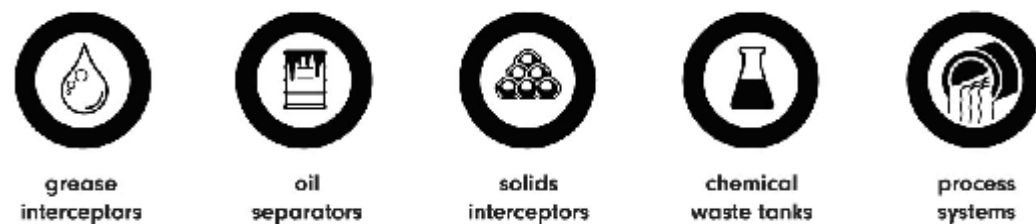
Engineering Firm: \_\_\_\_\_

**PART NUMBER: PS-35-B**

DESCRIPTION:

**PROSPECTOR SERIES POLYETHYLENE BASKET STYLE SOLIDS INTERCEPTOR 35 LIQUID GALLON CAPACITY**

**SUBMITTAL SHEET**



PROPRIETARY AND CONFIDENTIAL

THE INFORMATION CONTAINED IN THIS DRAWING IS THE SOLE PROPERTY OF SCHIER PRODUCTS. ANY REPRODUCTION IN PART OR AS A WHOLE WITHOUT THE WRITTEN PERMISSION OF SCHIER PRODUCTS IS PROHIBITED.

**Schier Products**  
 9500 Woodend Road  
 Edwardsville, KS 66111  
 Tel: 800-827-7119  
 Fax: 800-827-9664  
 www.schierproducts.com



Made in the U.S.A

DWG BY: TEU    DATE: 1/10/12    REV: 1 - 5/3/13    MATL: PE

**SPECIFICATIONS (PS-35-B)**

1. 3" inlet/outlets Sch. 40. (No-Hub)
2. Liquid capacity: 35 Gallons
3. Basket capacity: 5 Gallons
4. Unit weight w/std. covers: 87 lbs.
5. 2,000 lb. load rated, bolted, gas/water tight composite covers.
6. Maximum operating temperature 190°F continuous.

**NOTES**

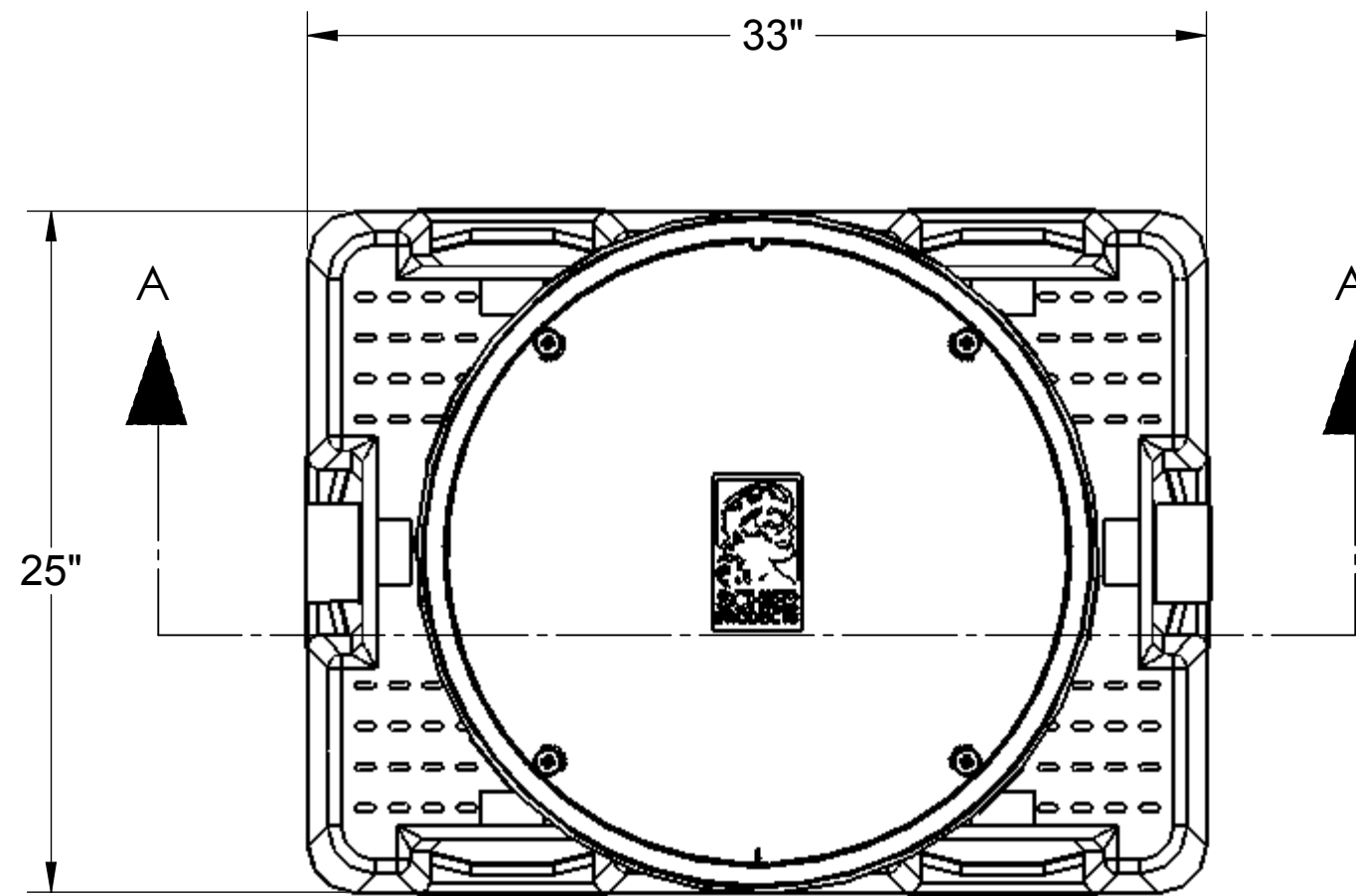
1. General purpose solids interceptor.
2. For gravity drainage applications only. Do not use for pressure applications.
3. 3/8" thick seamless high density polyethylene walls.
4. Unit supplied with built-in adapter for up to 3-1/2" of adjustability. Additional riser(s) are also available for deeper burial depth.
5. Cover placement allows full access to tank for proper maintenance.
6. Internal components are removable for easy maintenance.
7. For on-the-floor or buried applications.

**ENGINEER SPECIFICATION GUIDE**

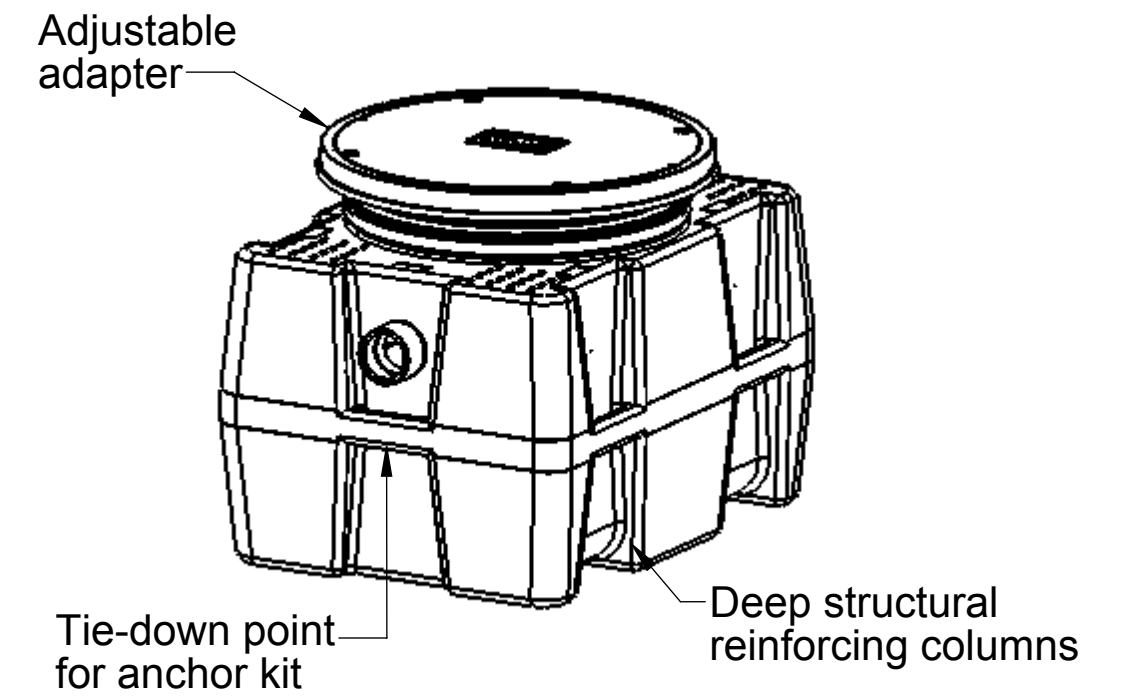
Schier Prospector™ solids interceptor model PS-35-B shall be lifetime guaranteed and Made in USA of seamless, rotationally-molded High Density Polyethylene with minimum 3/8" uniform wall thickness. Interceptor shall be furnished for above or below-grade installation. Interceptor shall be furnished with filter basket and connection for extending handle for deep burials. Cover shall provide water/gas-tight seal and have a minimum 2,000 lbs load capacity

**OPTIONS:**

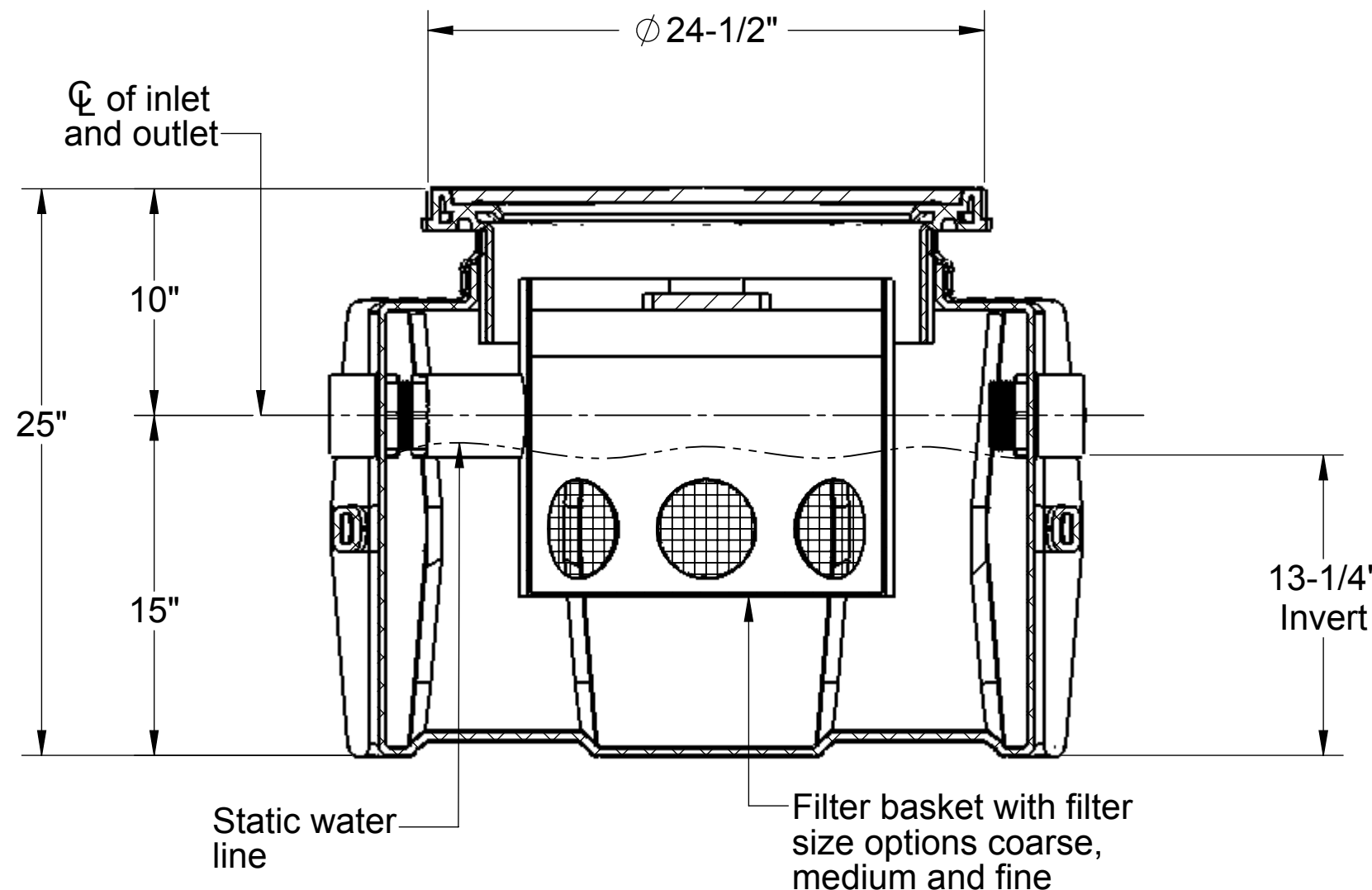
- Coarse filter with .30" x .27" openings
- Medium filter with .10" x .08" openings
- Fine filter with .03" x .025" openings
- Teleglide field adjustable risers for extending covers to grade
- Male pipe thread connections
- 2" or 4" Plain end pipe or male pipe thread connections



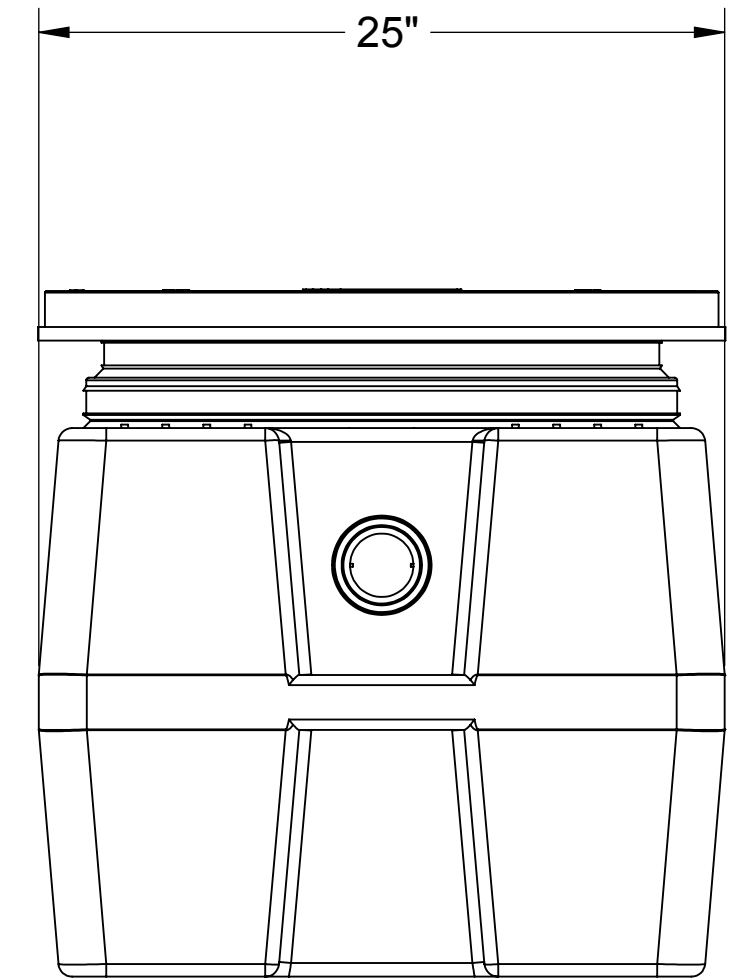
**TOP VIEW**



**ISOMETRIC VIEW**



**SECTION "A-A"**



**END VIEW**

**PART NUMBER: PS-35-B**

DESCRIPTION:

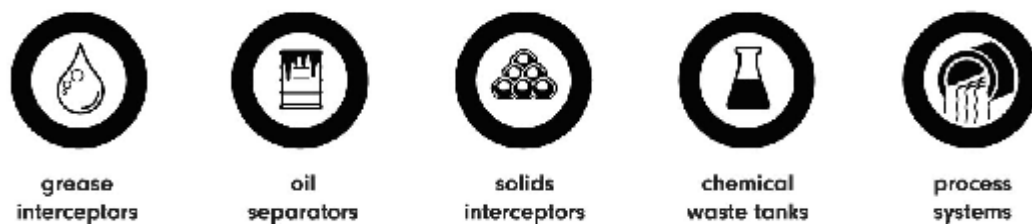
**PROSPECTOR SERIES POLYETHYLENE BASKET STYLE SOLIDS INTERCEPTOR 35 LIQUID GALLON CAPACITY**

DWG BY: TEU DATE: 12/27/11 REV: 1 - 4/23/13 MATL: PE

**SPECIFICATION SHEET**

**Schier Products**  
 9500 Woodend Road  
 Edwardsville, KS 66111  
 Tel: 800-827-7119  
 Fax: 800-827-9664  
 www.schierproducts.com

Made in the U.S.A



PROPRIETARY AND CONFIDENTIAL

THE INFORMATION CONTAINED IN THIS DRAWING IS THE SOLE PROPERTY OF SCHIER PRODUCTS. ANY REPRODUCTION IN PART OR AS A WHOLE WITHOUT THE WRITTEN PERMISSION OF SCHIER PRODUCTS IS PROHIBITED.