

**SPECIFICATIONS (PS-25-B)**

1. 3" inlet/outlets Sch. 40. (No-Hub)
2. Liquid capacity: 22 Gallons
3. Basket capacity: 3 Gallons
4. Unit weight w/std. covers: 41 lbs.
5. Standard covers handle 450 lbs. when unit is directly buried and a 2,500 lbs. load when buried in SR16 riser.
6. Maximum operating temperature 190°F continuous

**NOTES**

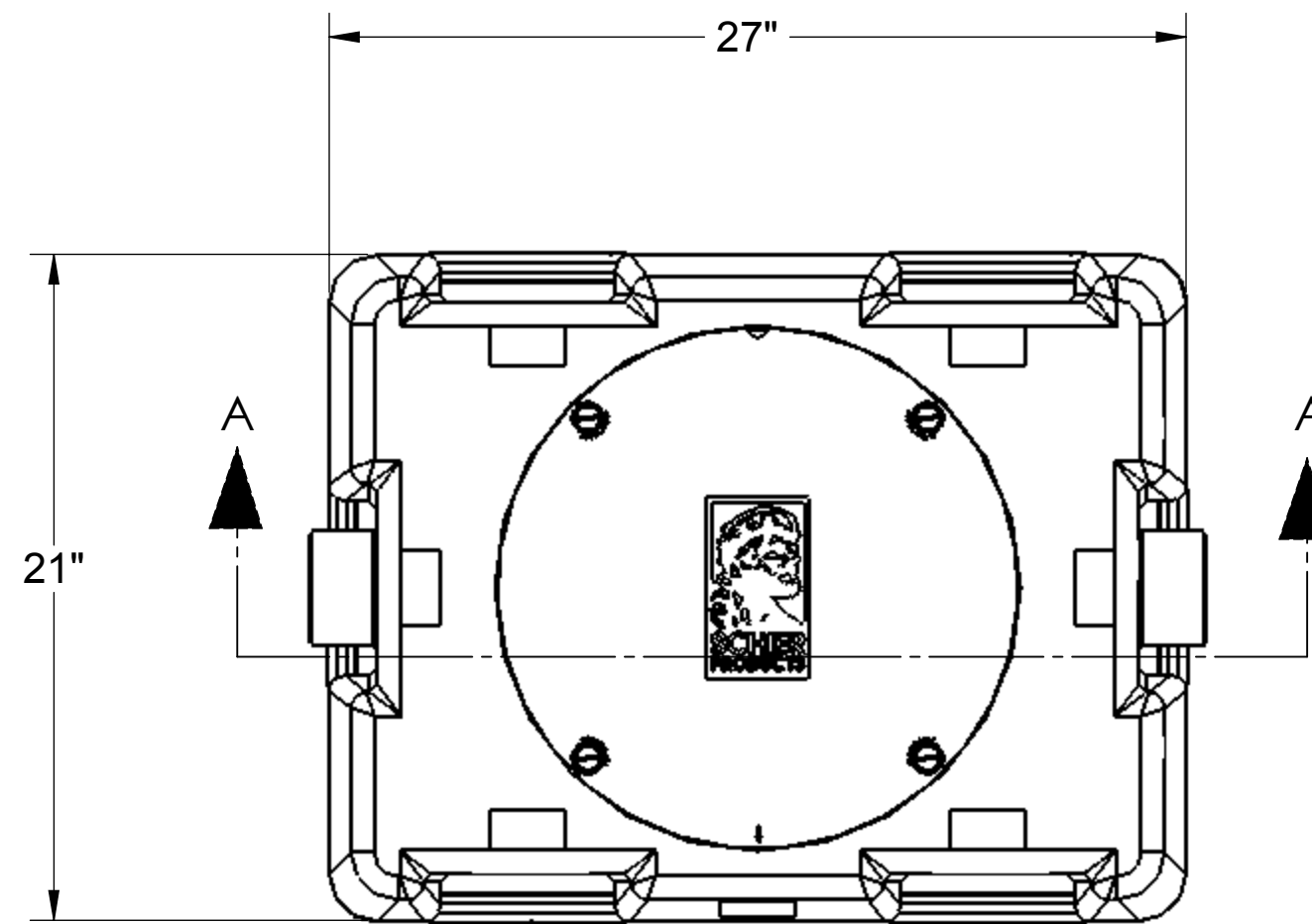
1. General purpose solids interceptor.
2. For gravity drainage applications only. Do not use for pressure applications.
3. 3/8" thick seamless high density polyethylene walls.
4. Cover placement allows full access to tank for proper maintenance.
5. Internal components are removable for easy maintenance.
6. For on-the-floor or buried applications.

**ENGINEER SPECIFICATION GUIDE**

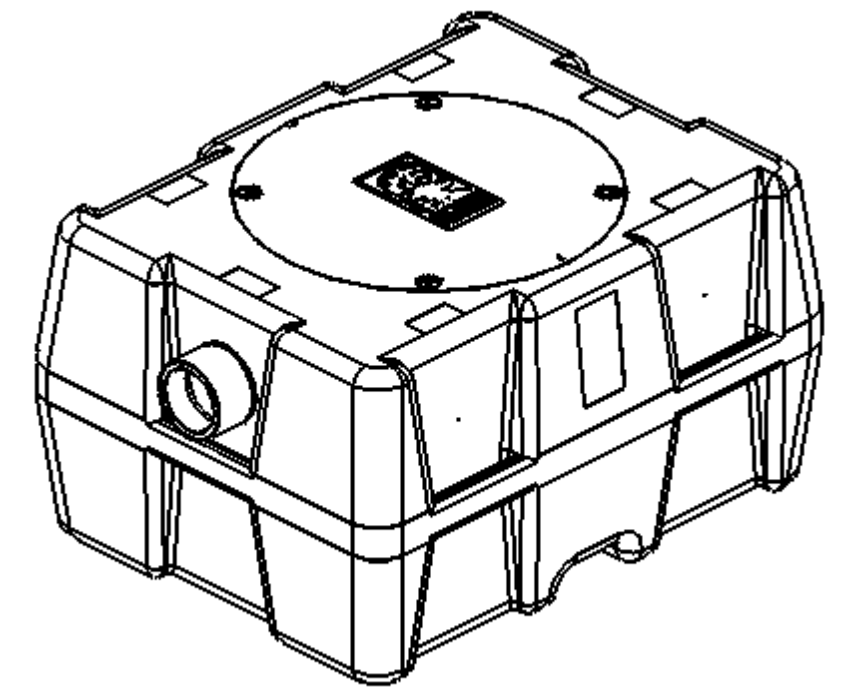
Schier Prospector™ solids interceptor model PS-25-B shall be lifetime guaranteed and Made in USA of seamless, rotationally-molded High Density Polyethylene with minimum 3/8" uniform wall thickness. Interceptor shall be furnished for above or below-grade installation. Interceptor shall be furnished with filter basket and connection for extending handle for deep burials. Cover shall provide water/gas-tight seal and have a minimum 450 lbs load capacity

**OPTIONS:**

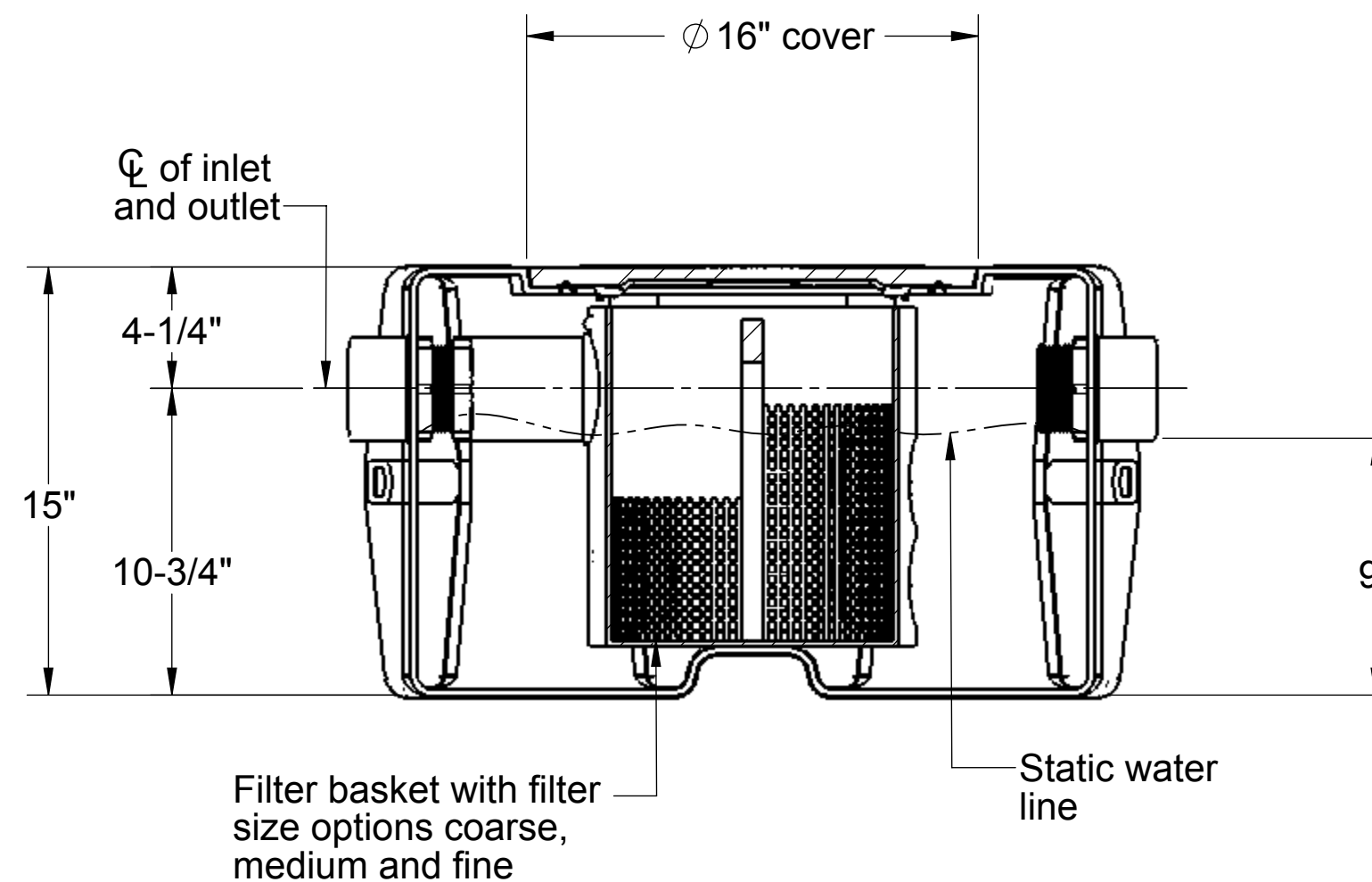
- Coarse filter with .30" x .27" openings
- Medium filter with .10" x .08" openings
- Fine filter with .03" x .025" openings
- Teleglide field adjustable risers for extending covers to grade
- Male pipe thread connections
- 2" Plain end pipe or male pipe thread connections



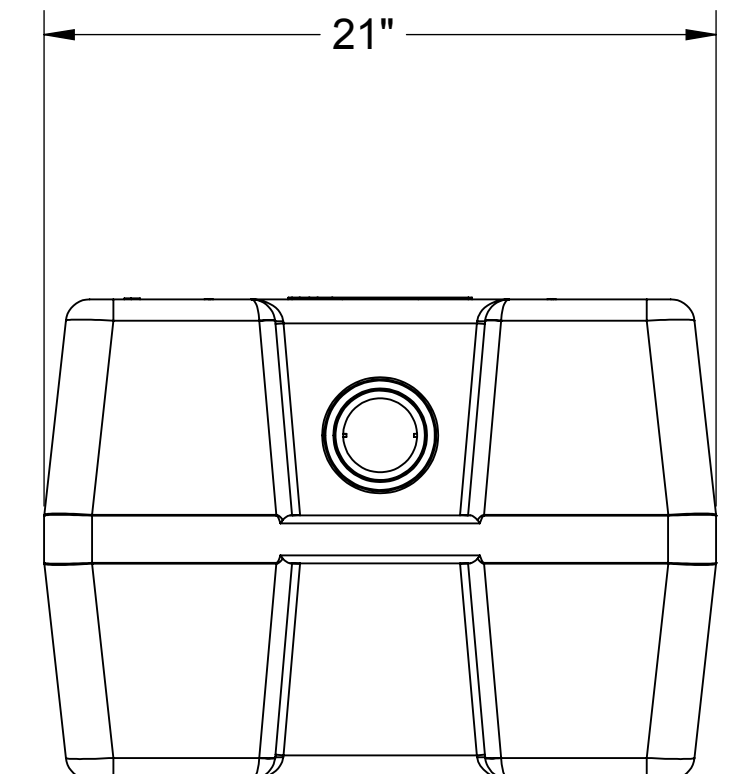
**TOP VIEW**



**ISOMETRIC VIEW**



**SECTION "A-A"**



**END VIEW**

**PART NUMBER: PS-25-B**

DESCRIPTION:

**PROSPECTOR SERIES POLYETHYLENE  
BASKET STYLE SOLIDS INTERCEPTOR  
22 LIQUID GALLON CAPACITY**

DWG BY: TEU

DATE: 12/28/11

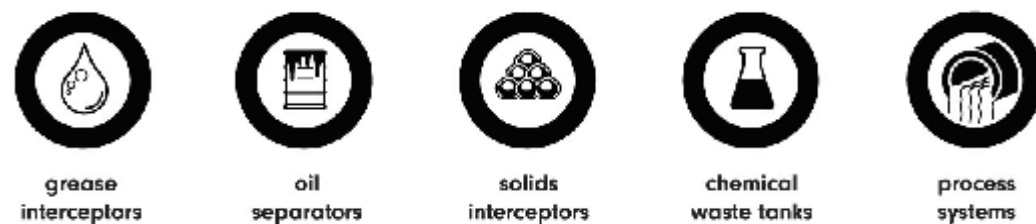
REV: 1 - 4/22/13

MATL: PE

**SPECIFICATION SHEET**

**Schier Products**  
9500 Woodend Road  
Edwardsville, KS 66111  
Tel: 800-827-7119  
Fax: 800-827-9664  
www.schierproducts.com

Made in the U.S.A



PROPRIETARY AND CONFIDENTIAL

THE INFORMATION CONTAINED IN THIS DRAWING IS THE SOLE PROPERTY OF SCHIER PRODUCTS. ANY REPRODUCTION IN PART OR AS A WHOLE WITHOUT THE WRITTEN PERMISSION OF SCHIER PRODUCTS IS PROHIBITED.