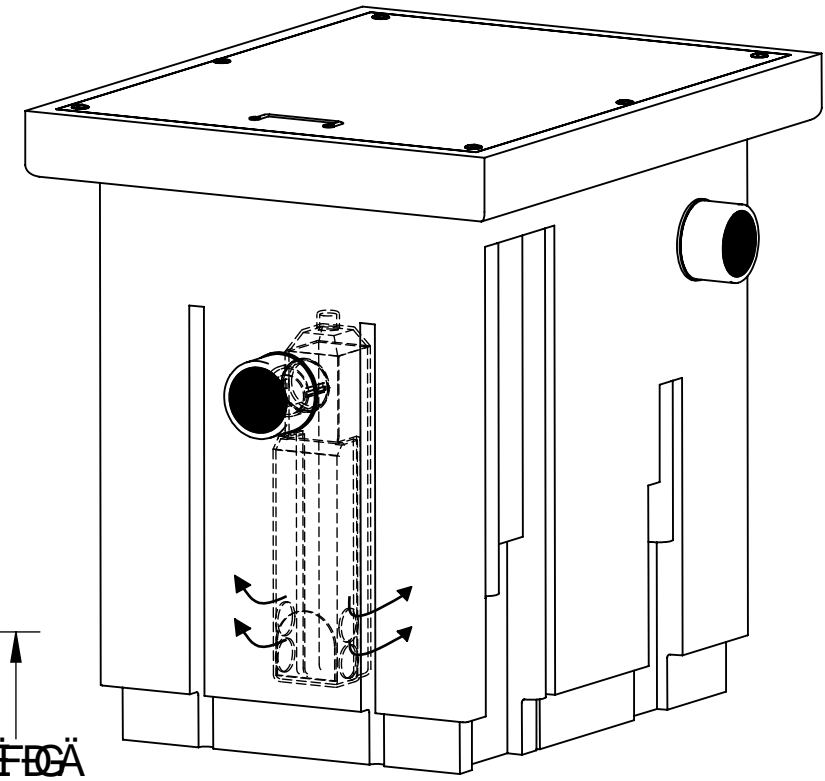
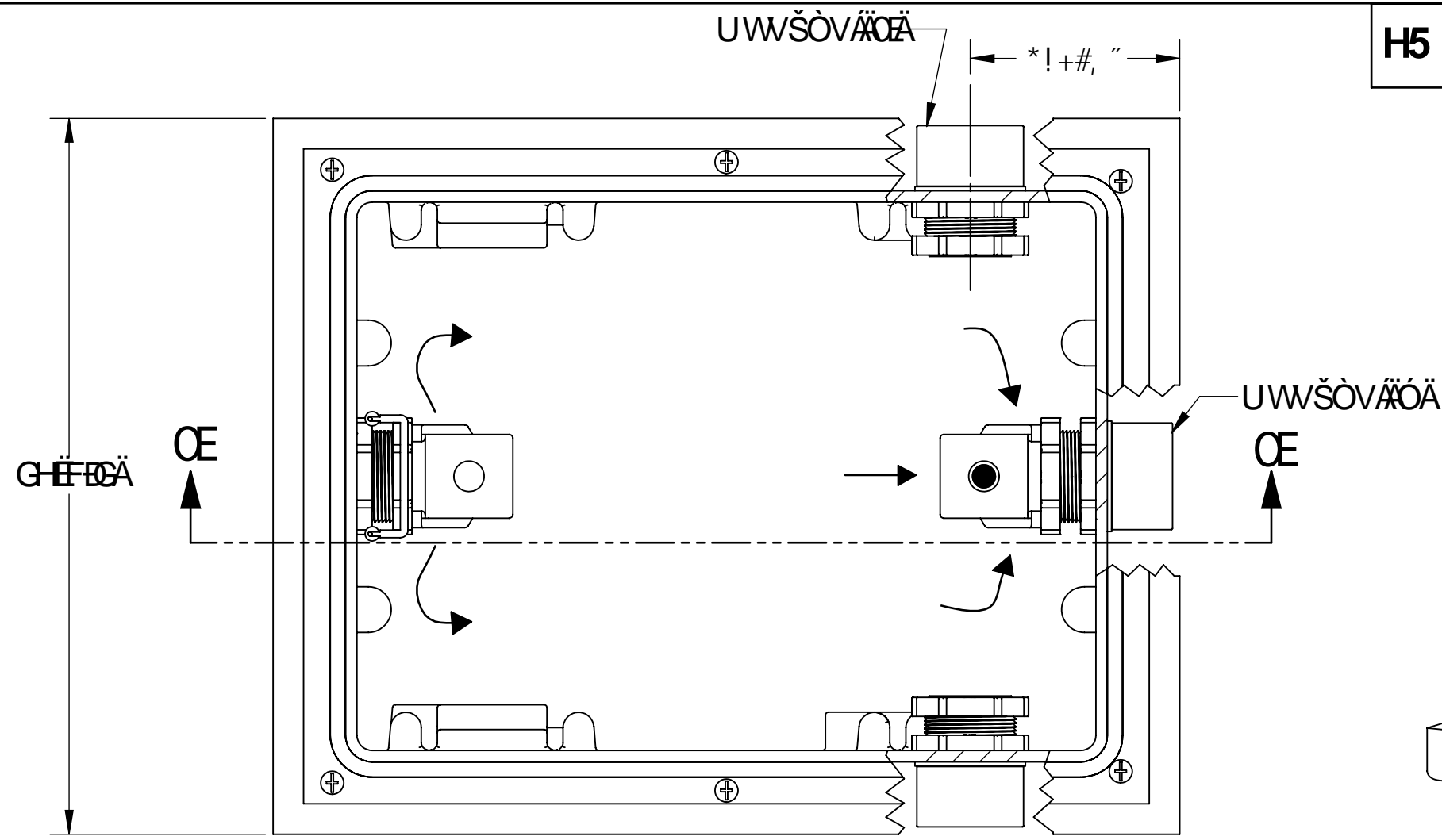


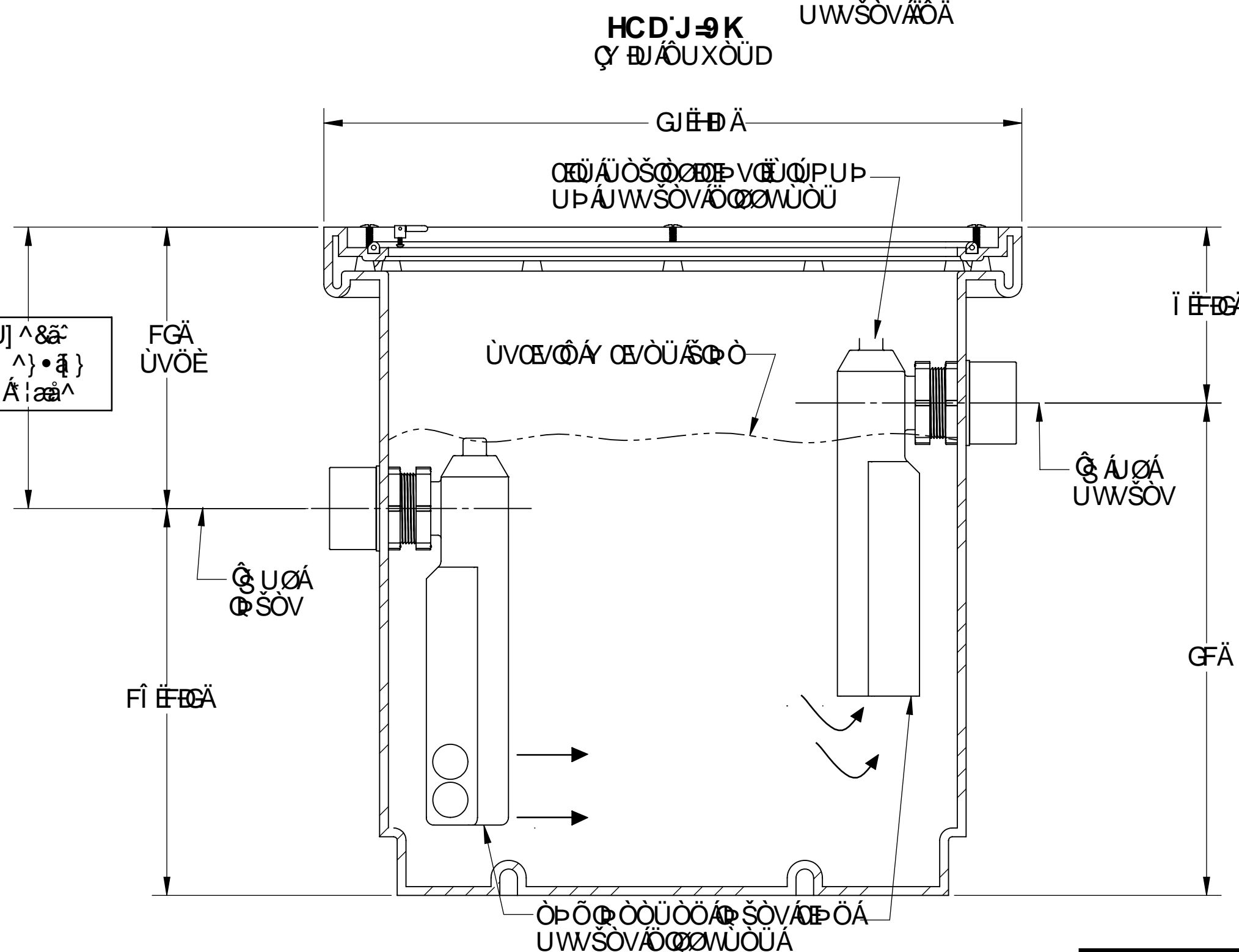
GD97 = 75 HCBG (U) O E G I H D
 FE A H A | ^ o a a A ~ d ^ o & [} } ^ & c a } • E
 GE T a e A | A a e K H I O U T
 HE S a ~ a / a e a e a K A E O a [] •
 I E T a e A | ^ a e ^ a e a e K F G E A U [~ } a •
 I E W a A ^ a @ A D a E a c a i • K A I A U [~ } a •
 I E T a e a ~ { A } ^ i a e a * A e {] ^ i a e i ^ A F J E ° O E
 I E W a A a e a e c i ^ a a / A e a i a a e & A i A
 A A A O U T O A i ^ a e ^ a e c i & [d i A e a a a A O E F G E I E H A



7@HC; F589

CDHCBG

- A O • d { A a ^ i • A i A a @ a A [[i A i a a ^ A A
 { a E A A A a e A A i A D Y U g Y g i d d m
 X l a Y b g j c b z c a 7 " @ c Z j b Y h c [f U X Y "
 f G Y Y V c l U w c j Y L
- T a e A a ^ a @ a e a & [} } ^ & c a } •
- A A A | ^ a d ~ d ^ o & [} } ^ & c a }
- A A A | ^ a d ~ d ^ o & [} } ^ & c a }
- A A A A O A A c ^ i A ^ a a | a e ^ a & [c ^ i
- A A ^ a • • ^ a A i A a A c ^ i A & [c ^ i



U a } a e i ^ A A ~~~~~
 O E [] i [c a e ~~~~~

O [{] a e ^ ~~~~~

O a e A A O E [] i [c a e ~~~~~

D5 F H ' B I A 6 9 F . D 5 H ; ! & * ')

U O O V O J P A O E E

SUBMITTAL SHEET

DESCRIPTION:

V U O E U O U A U O U O U A U S Y O N P Y S O P O
 O U O O E J O A P V O U O O U V U U A H I O U T E A E S O W O
 O O S S U P U E F G E A O U O O E J O A U W P O U A O O E U O O Y

GW J Y f ' D f c X i W g
 -) \$ \$ ' K c c X Y b X ' F c U X
 9 X k U f X g j I ' Y Z ? G * * % % %
 H Y . ; \$ \$! , & + ! + % %
 : U . ; \$ \$! , & + ! - * * (
 k k k ' g W J Y f d f c X i W g ' W e a



8 K ; ' 6 M H 9 I 8 5 H 9 . * # % # \$ + F 9 J . (' ! # # + # # % A 5 H @ D 9

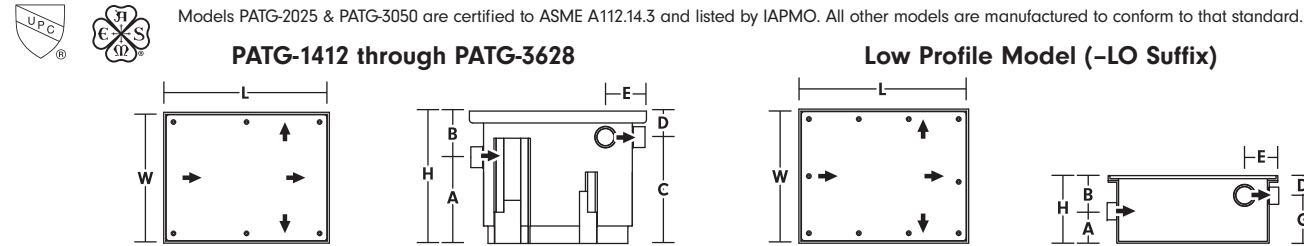
A U X Y j b ' h Y i ' G 5

Better Value Recommendation
See Great Basin™
Models on
p. 17-18



SCHIER MODEL	SPECIFICATIONS																
	Capacity			Pipe Sizes			Rough-in Dimensions (in.)						Poly Cover Load Rating (lbs.)	Weight (lbs.)			
	Flow Rate (GPM)	Grease (lbs.)	Liquid (gal.)	Plain End SCH.40		Optional Male Thread (no charge)	Body		Inlet		Outlet			Dry	Wet		
PATG-1412	10	20	5.3	2	3	2, 3	17 1/2	15 1/4	15	8 3/8	6 3/8	10 1/4	4 3/4	6	500	20	64
PATG-1815	15	60	10	2	3	2, 3	23 1/2	15 1/4	18 1/2	11	7 1/2	13 1/2	5	6	500	30	113
PATG-15-LO	15	60	10	2	3	2, 3	24 1/2	18 1/2	10 3/4	6	4 3/4	7 1/2	3 1/4	5 3/4	500	35	118
PATG-1820	20	70	17	2	3	2, 3	25 1/2	19 1/4	19 1/4	12	7 1/4	14 1/4	5	6 1/4	500	37	179
PATG-20-LO	20	80	21	2	3	2, 3	30 1/2	24 1/2	13 3/4	6 1/2	7 1/4	10 1/4	3 1/2	5 3/4	500	50	225
PATG-2025	25	98	28	3	2	2, 3	29 3/4	23 1/2	23 1/4	13	10 1/4	16	7 1/4	6 7/8	500	63	297
PATG-2420	30	109	31	3	2	2, 3	29 3/4	23 1/2	23 1/4	14 1/2	8 3/4	17 7/8	5 3/8	6 7/8	500	63	322
PATG-30-LO	30	90	23	3	2	2, 3	34 1/2	24 1/2	13 3/4	6 1/2	7 1/4	10 1/4	3 1/2	5 3/4	500	55	247
PATG-2635	35	120	40	3	4	3, 4	29 3/4	23 1/2	28 1/2	16 1/2	12	21	7 1/2	6 7/8	500	75	409
PATG-35-LO	35	98	28	3	2	2, 3	40 1/2	24 1/2	13 3/4	6 1/2	7 1/4	10 1/4	3 1/2	5 3/4	500	65	298
PATG-2824	40	180	54	4	3	3, 4	31 3/4	26	32 1/2	21 1/2	11	25 3/4	6 3/4	6 7/8	500	82	532
PATG-3050	50	259	60	4	3	3, 4	35 1/4	26	32 1/2	21 1/2	11	25 3/4	6 3/4	6 7/8	500	94	594
PATG-50-LO	50	128	41	3	4	3, 4	54	24 3/4	16 1/4	6 3/4	9 1/2	11	5 1/4	12	500	70	412
PATG-3224	60	288	67	4	3	3, 4	38 3/4	26	32 1/2	21 1/2	11	25 3/4	6 3/4	6 7/8	500	105	664
PATG-3475	75	300	80	4	3	3, 4	39	28 1/2	32 1/2	22	10 1/2	26 1/4	6 1/4	6 7/8	500	105	772
PATG-3628	100	350	110	4	3	3, 4	41 1/4	35 1/2	32 1/2	22	10 1/2	26 1/4	6 1/4	6 7/8	500	162	1,080

Models PATG-2025 & PATG-3050 are certified to ASME A112.14.3 and listed by IAPMO. All other models are manufactured to conform to that standard.



Engineer Specification Guide

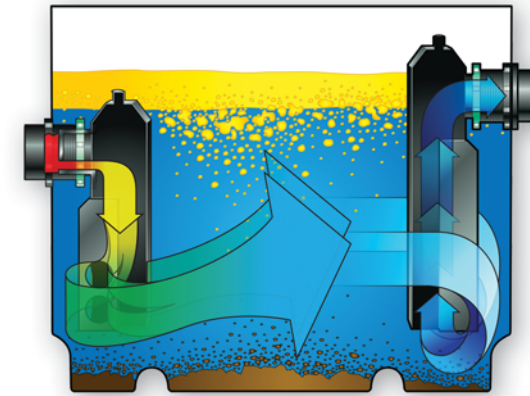
Download Schier CSI MasterSpec language at schierproducts.com/literature.html

Schier Trapper II™ grease interceptor model # _____ shall be lifetime guaranteed and made in USA of seamless, rotationally-molded High Density Polyethylene with minimum 3/8" uniform wall thickness. Interceptor shall be furnished for above or below grade installation. Interceptor shall be built in accordance to ASME A112.14.3 (type C), with built-in flow control, built-in test caps and three outlet options. Interceptor flow rate shall be _____ GPM. Interceptor grease capacity shall be _____ lbs. Cover shall provide water/gas-tight seal and have minimum 500 lbs load capacity.

SCHIER MODEL	LIST PRICES										
	Base Unit	Bolt-On Risers (dimensions shown from top of unit)				Standard Poly Cover	1/4" Steel Tread Cover		Recessed for Tile Steel Cover		May Ship Parcel
		Part #	Price	Part #	Price		Part #	Price	Part #	Price	
PATG-1412	\$584	R1412-424	\$712	R1412-2436	\$948	Included	CS1412	\$436	CSR1412	\$762	✓
PATG-1815	\$750	R1815-424	\$764	R1815-2436	\$1,056	Included	CS1815	\$668	CSR1815	\$1,104	✓
PATG-15-LO	\$958	n/a	n/a	n/a	n/a	Included	n/a	n/a	n/a	n/a	✓
PATG-1820	\$848	R1820-424	\$902	R1820-2436	\$1,200	Included	CS1820	\$818	CSR1820	\$1,372	✓
PATG-20-LO	\$1,266	n/a	n/a	n/a	n/a	Included	n/a	n/a	n/a	n/a	✓
PATG-2025	\$1,012	R2025-424	\$824	R2025-2436	\$1,388	Included	CS2025	\$968	CSR2025	\$1,640	✓
PATG-2420	\$1,012	R2420-424	\$812	R2420-2436	\$1,388	Included	CS2420	\$968	CSR2420	\$1,640	✓
PATG-30-LO	\$1,508	n/a	n/a	n/a	n/a	Included	n/a	n/a	n/a	n/a	✓
PATG-2635	\$1,320	R2635-424	\$824	R2635-2436	\$1,528	Included	CS2635	\$968	CSR2635	\$1,640	✓
PATG-35-LO	\$1,694	n/a	n/a	n/a	n/a	Included	n/a	n/a	n/a	n/a	✓
PATG-2824	\$1,530	R2824-424	\$910	R2824-2436	\$1,690	Included	CS2824	\$1,122	CSR2824	\$1,908	✓
PATG-3050	\$1,618	R3050-424	\$1,006	R3050-2436	\$1,886	Included	CS3050	\$1,122	CSR3050	\$1,908	✓
PATG-50-LO	\$2,256	n/a	n/a	n/a	n/a	Included	n/a	n/a	n/a	n/a	✓
PATG-3224	\$2,178	R3224-424	\$1,102	R3224-2436	\$2,076	Included	CS3224	\$1,272	CSR3224	\$2,176	✓
PATG-3475	\$2,530	R3475-424	\$1,136	R3475-2436	\$2,134	Included	CS3475	\$1,384	CSR3475	\$2,368	✓
PATG-3628	\$3,026	R3628-424	\$1,518	R3628-2436	\$2,892	Included	CS3628	\$1,686	CSR3628	\$3,380	✓

Overview

The Trapper II™ Series is a "wet inlet" style grease interceptor recommended specifically for the replacement of Rockford G-Series and GF-Series, MIFAB MI-ROC Series and the obsolete Schier AT-Series and ATG-Series.



Trapper II™ Side View with Diffusion Flow™

Features

- Lifetime Warranty
- Heavy-Duty Polyethylene
- Built-In Flow Control
- Built-In Triple Outlet
- 500 lb. Load Rated HDPE Cover
- Plain End (Sch. 40) Connections
- Water/Air-Tight Gasket Seal
- Key-Fit Frame with Molded-In Stainless Steel Inserts and Low Profile Hardware

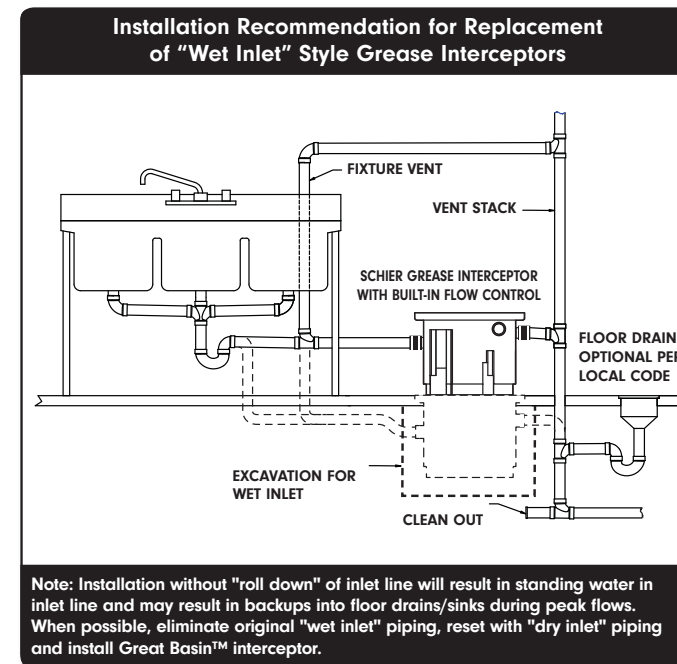


Corroded Wet Inlet Grease Interceptor

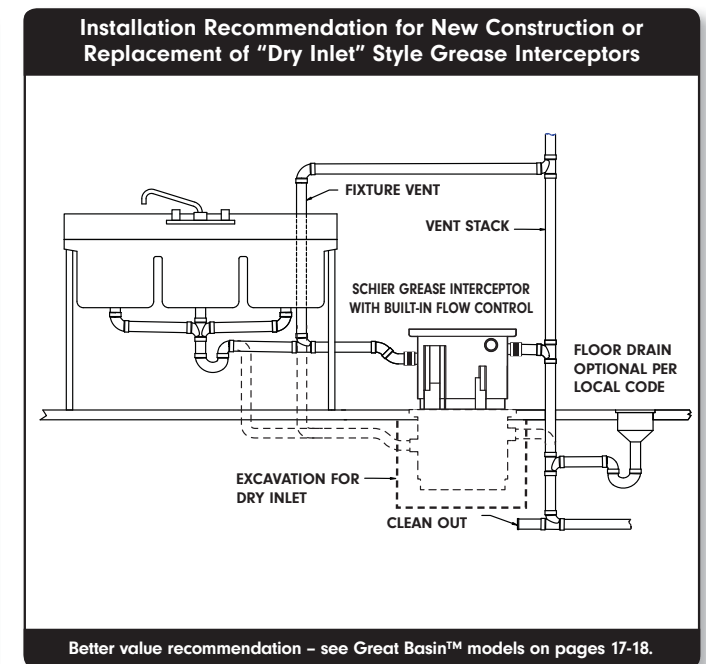
Application Specific Details

Download PDF and DWG files of these images at [schierproducts.com/Grease Interceptors Applications.html](http://schierproducts.com/Grease%20Interceptors%20Applications.html)

Where possible, "roll down" the inlet line using (2) 45-degree street elbows. If space is constrained (2) 22-degree elbows may be used, however this may result in standing water in the inlet line.



Note: Installation without "roll down" of inlet line will result in standing water in inlet line and may result in backups into floor drains/sinks during peak flows. When possible, eliminate original "wet inlet" piping, reset with "dry inlet" piping and install Great Basin™ interceptor.



Better value recommendation - see Great Basin™ models on pages 17-18.

