

SPECIFICATIONS

1. 4" inlet/outlet Sch. 40. Plain End (No-Hub)
2. Max flow rate: 75 GPM
3. Liquid capacity: 125 gallons (16.7 cu. ft.)
4. Max oil capacity: 84.4 gallons
5. Sand capacity: 19.2 gallons
6. Unit weight w/std. covers: 130 lbs.
7. Maximum operating temperature 190°F continuous.
8. Highway Rated Cover: 16,000 lb. capacity (standard)
9. Seamless molded polyethylene tank.

OPTIONS

- 4M** - 4" Male Thread Inlet / Outlet
- 6P** - 6" Plain End SCH.40 Inlet / Outlet
- C24-M** - Pedestrian Rated Composite Cover
- C24-HP** - Pickable Cast Iron Heavy Duty Cover (H2O Rated)
- CC24** - Integral Membrane Clamping Collar Kit
- CS2** - Clean Sweep Coalescing Media
- DO2** - 2" Oil Draw-Off Arm (for use with collection tank)
- AK1** - High Water Anchor Kit

TeleGlide RISER OPTIONS

- SR24** - >6"-24"
- LR24** - >24"-39"
- SR24 (2)** - >39"-43"
- SR24 + LR24** - >43"-58"
- LR24 (2)** - > 58"-72"

Signature of Approval:

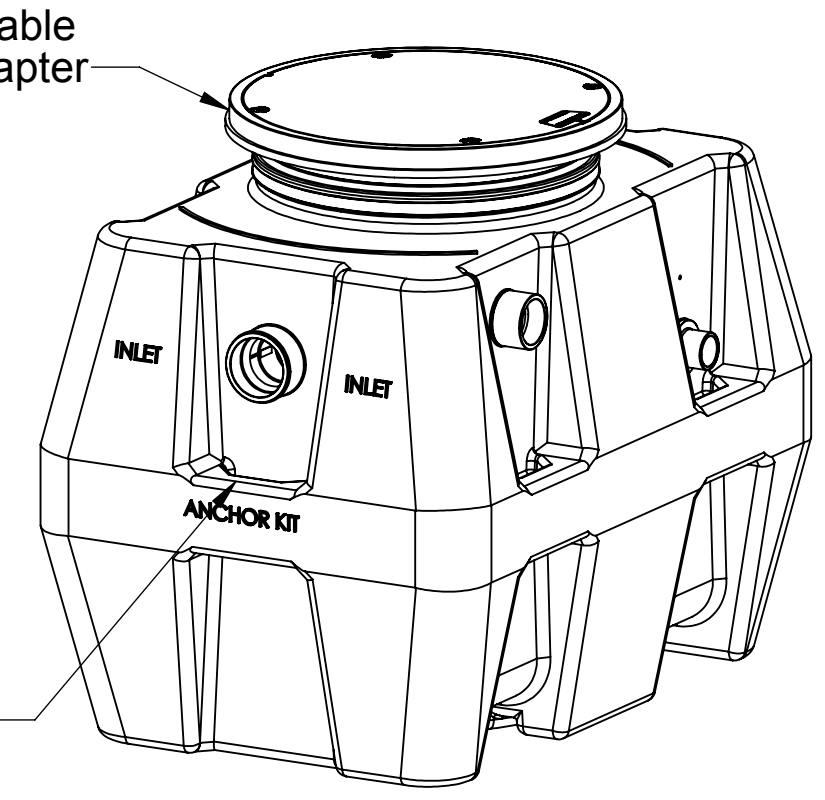
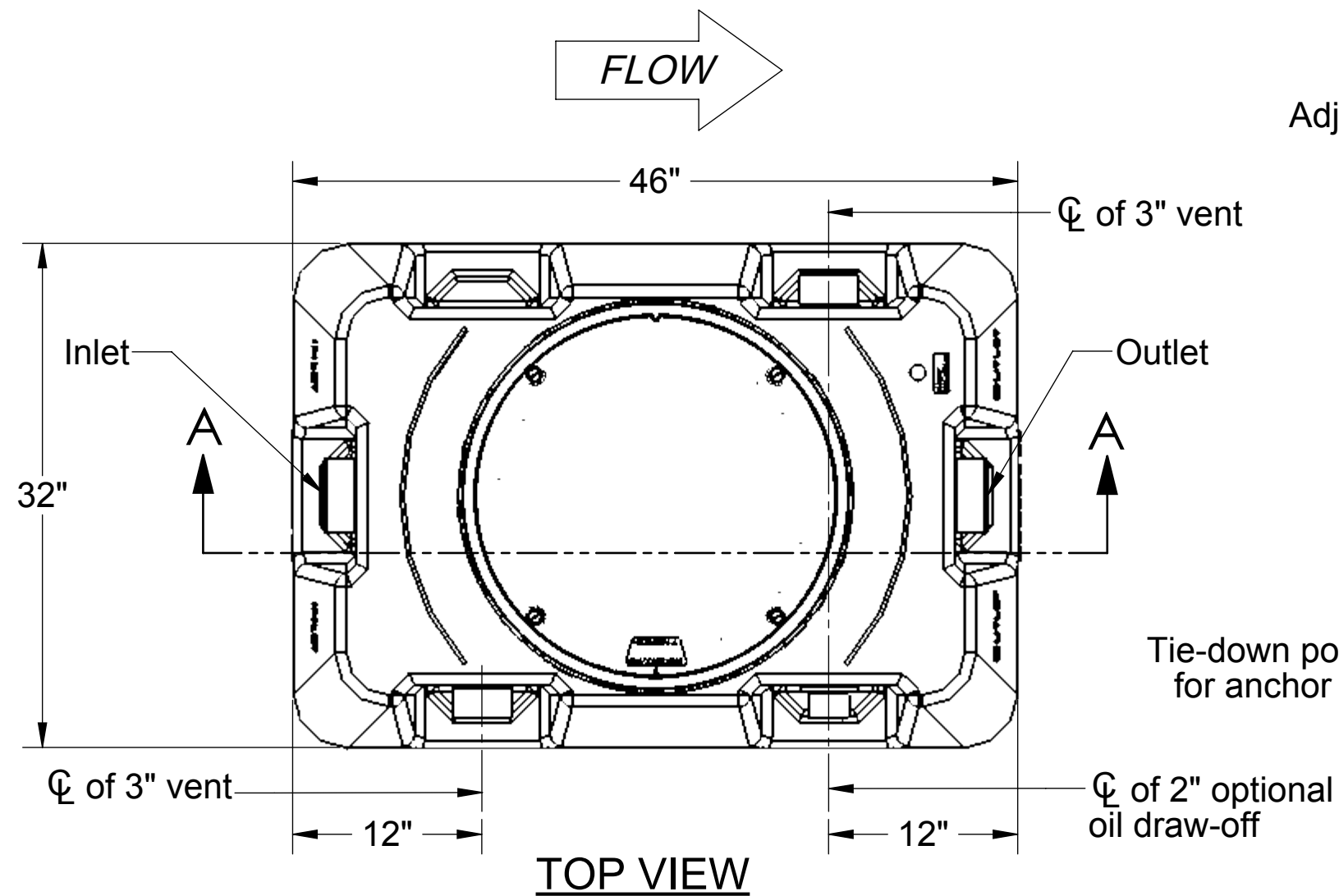
Company:

Date of Approval:

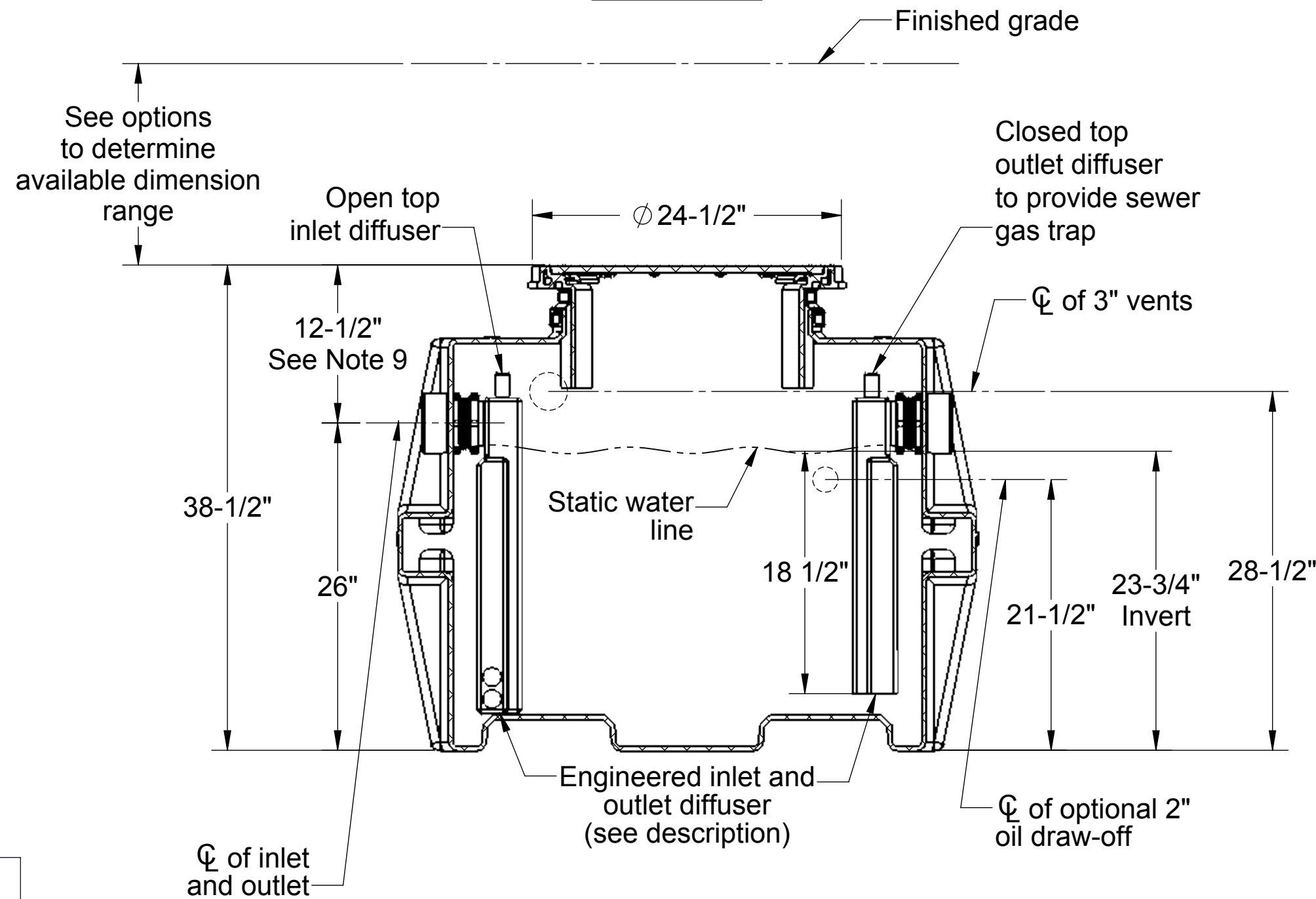
Specifying Engineer:

Engineering Firm:

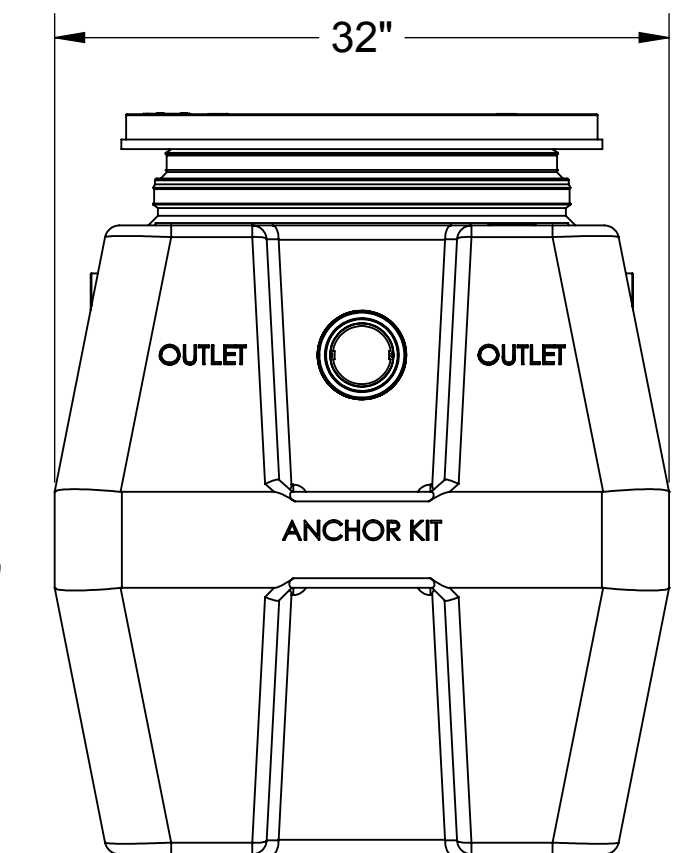
TAG NUMBER:



ISOMETRIC VIEW



SECTION "A-A"



OUTLET END VIEW

MODEL NUMBER:	OS-75
DESCRIPTION:	75 GPM POLYETHYLENE OIL/SAND SEPARATOR
DWG BY:	RS
DATE:	9/21/17
REV:	0
ECO:	

SUBMITTAL SHEET

Striem
 3100 Brinkerhoff
 Kansas City, KS 66115
 Tel: 913-222-1500
 Fax: 913-291-0457
 www.striemco.com

Made in the U.S.A

PROPRIETARY AND CONFIDENTIAL

THE INFORMATION CONTAINED IN THIS DRAWING IS THE SOLE PROPERTY OF STRIEM, LLC. ANY REPRODUCTION IN PART OR AS A WHOLE WITHOUT THE WRITTEN PERMISSION OF STRIEM, LLC. IS PROHIBITED.