

SPECIFICATIONS

1. 4" inlet/outlet Sch. 40. Plain End(No-Hub)
2. Max flow rate: 50 GPM
3. Liquid capacity: 52 Gallons (7 cu. ft.)
4. Max oil capacity: 34.1 Gallons
5. Sand capacity : 12.5 Gallons
6. Unit weight w/std. covers: 92 lbs.
7. 2,000 lb. load rated, bolted, gas/water tight composite cover.
8. Maximum operating temperature 190 °F continuous.
9. Seamless molded polyethylene tank.

NOTES

1. Factory installed Built-in Flow control.
2. For gravity drainage applications only. Do not use for pressure applications.
3. Seamless high density polyethylene tank.
4. Unit supplied with built-in adapter for up to 3-1/2" of adjustability. Additional riser(s) available for deeper burial depth.
5. Cover placement allows full access to tank for proper maintenance.
6. Engineered inlet and outlet diffusers are removable to inspect/clean piping.
7. For on the-floor or buried applications.

DIFFUSION FLOW TECHNOLOGY

The inlet diffuser splits incoming effluent into two paths that utilize the entire liquid volume of the tank for efficient oil separation. The calibrated openings greatly reduce effluent turbulence. The effluent enters the main chamber without disturbing the existing oil or sediment layers.

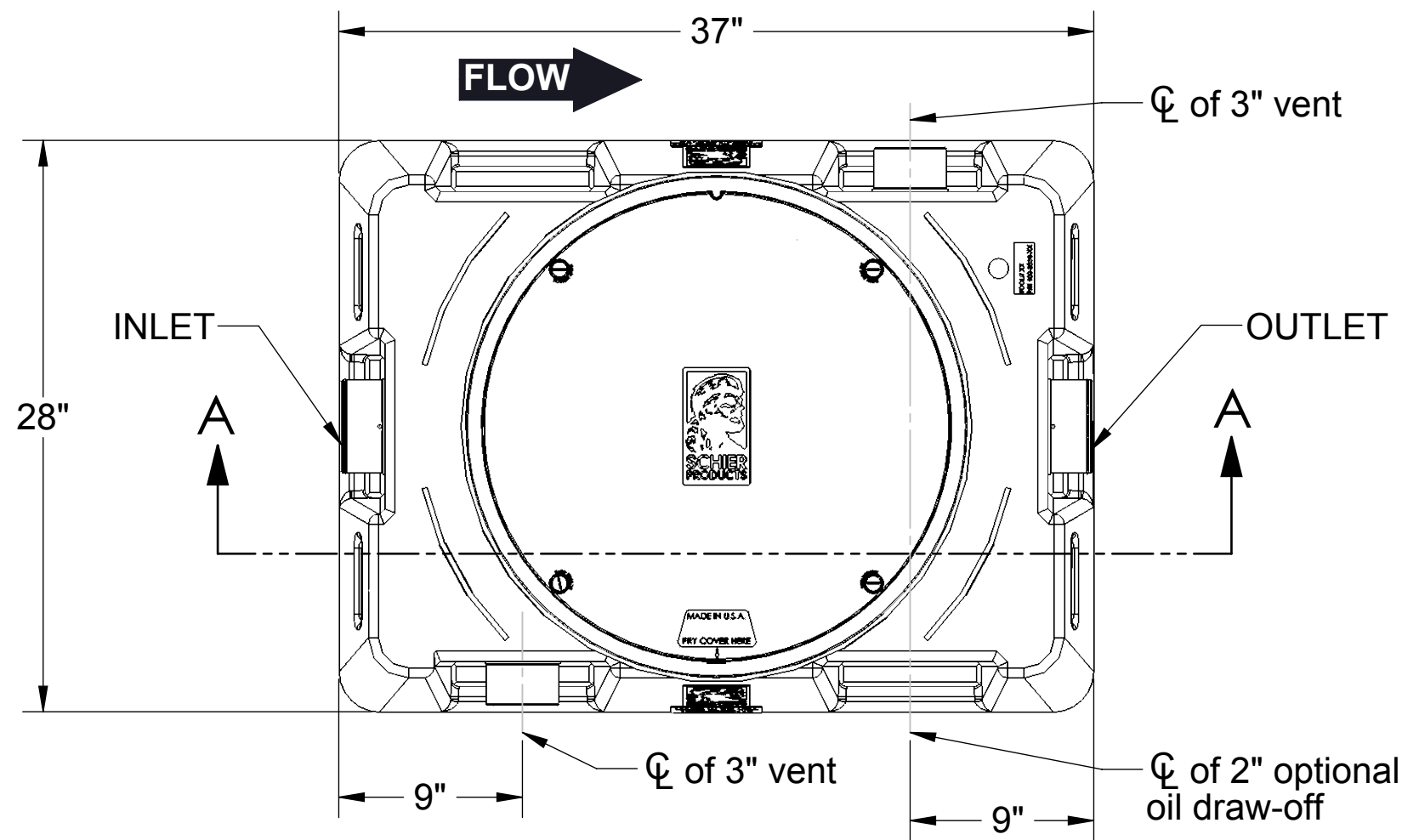
The bottom of the outlet diffuser allows only effluent which is free of oil to exit the tank.

ENGINEER SPECIFICATION GUIDE

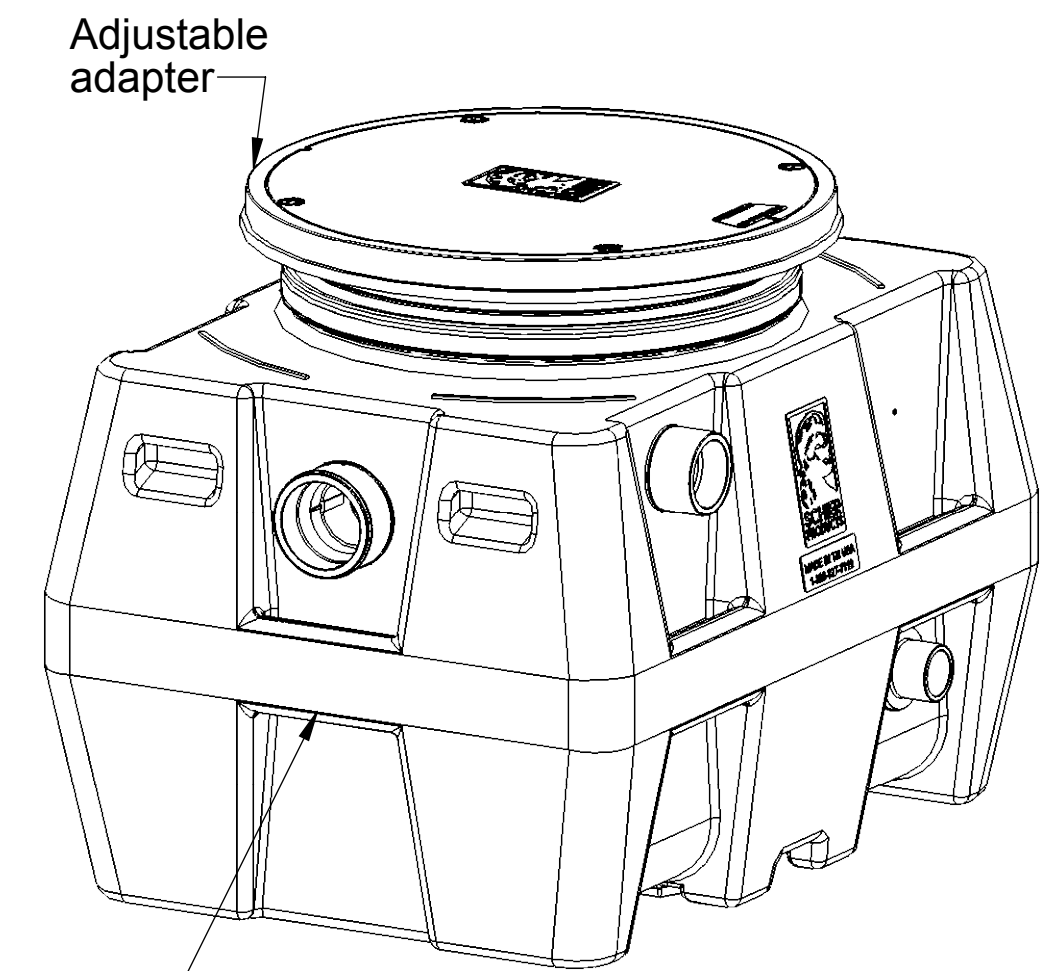
Striem Oil Reserve™ oil/sand separator model OS-50 shall be lifetime guaranteed and made in USA of seamless, rotationally-molded High Density Polyethylene. Separator shall be furnished for above or below grade installation, with field adjustable riser system, built-in flow control, vent connections and optional oil draw-off for connection to independent collection tank. Separator flow rate shall be 50 GPM. Separator capacity shall be 34.1 gallons of oil and 19.2 gallons of sediment. Cover shall provide water/gas-tight seal and have minimum 2,000 lbs load capacity.

OPTIONS:

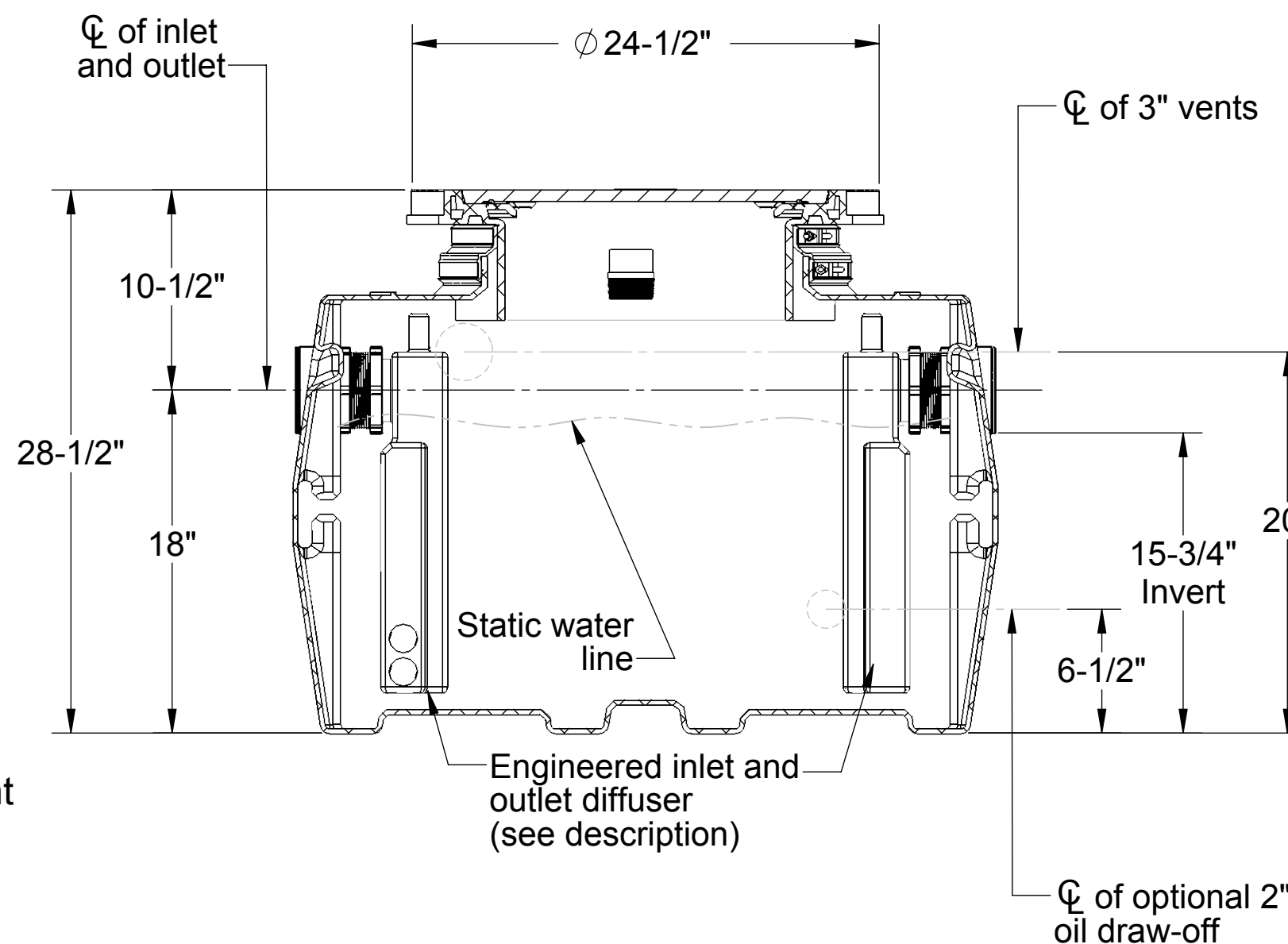
- Teleglide field adjustable risers for extending covers to grade
- Male pipe thread connections
- 3" Plain end or male pipe connections
- High water anchor kit
- Highway rated bolted composite cover
- C24-HP pickable cast iron cover
- 2" Plain end oil draw-off connection
- Clean Sweep coalescing media
- Clamping Collar Kit



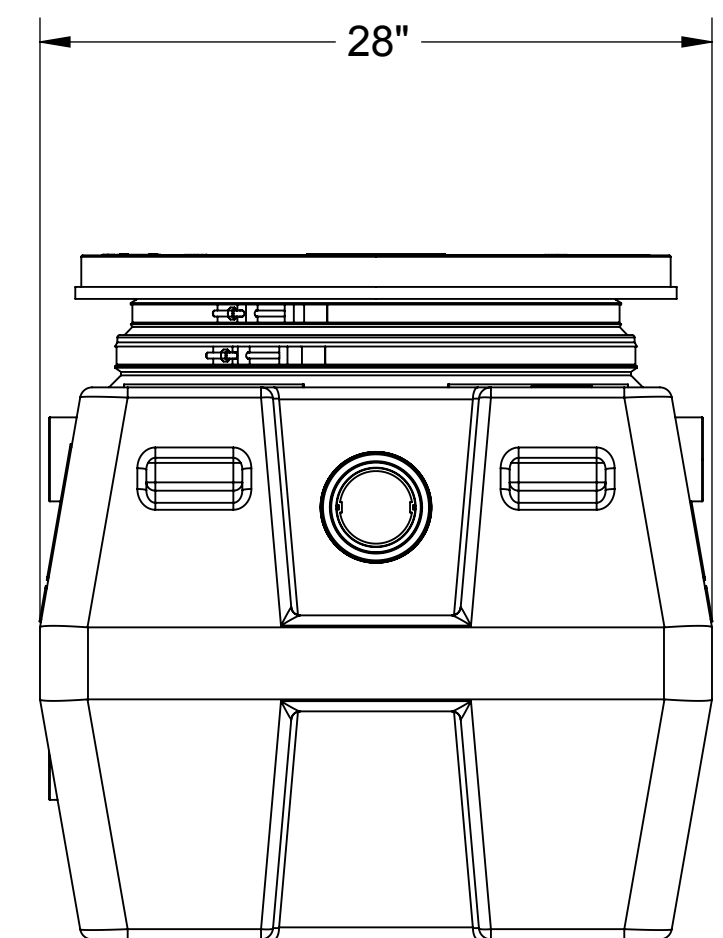
TOP VIEW



ISOMETRIC VIEW



SECTION "A-A"



OUTLET END VIEW

MODEL NUMBER:	OS-50
DESCRIPTION:	50 GPM POLYETHYLENE OIL/SAND SEPARATOR
DWG BY:	RS
DATE:	03/30/16
REV:	0
ECO:	

SPECIFICATION SHEET

Striem
 9500 Woodend Road
 Edwardsville, KS 66111
 Tel: 913-222-1500
 Fax: 913-951-3399
 www.striemco.com

STRIEM

Made in the U.S.A