

SPECIFICATIONS

1. 4" inlet/outlet Sch. 40. Plain End (No-Hub)
2. Max flow rate: 100 GPM
3. Liquid capacity: 275 Gallons (36.8 cu ft)
4. Max oil capacity: 147.5 gallons
5. Unit weight w/std. covers: 230 lbs.
6. Sand capacity : 105 gallons
7. Highway rated (16,000 lb. load) or pedestrian rated (2,000 lb. load) bolted, gas/water tight.
8. Maximum operating temperature 190°F continuous.
9. Seamless molded polyethylene body.

OPTIONS

- 4M** - 4" Male Thread Inlet / Outlet
- 6P** - 6" Plain End SCH.40 Inlet / Outlet
- C24-M(2)** - Pedestrian Rated Composite Cover
- C24-HP(2)** - Pickable Cast Iron Heavy Duty Cover (H2O Rated)
- CC24(2)** - Integral Membrane Clamping Collar Kit
- CS3** - Clean Sweep Coalescing Media (single)
- CS6** - Clean Sweep Coalescing Media (double)

- DO2** - 2" Oil Draw-Off Arm (for use with collection tank)
- AK1** - High Water Anchor Kit

TeleGlide RISER OPTIONS

- SR24 (2)** - >6"-24"
- LR24 (2)** - >24"-39"
- SR24 (4)** - >39"-43"
- SR24 (2) + LR24 (2)** - >43"-58"
- LR24 (4)** - > 58"-72"

Signature of Approval: _____

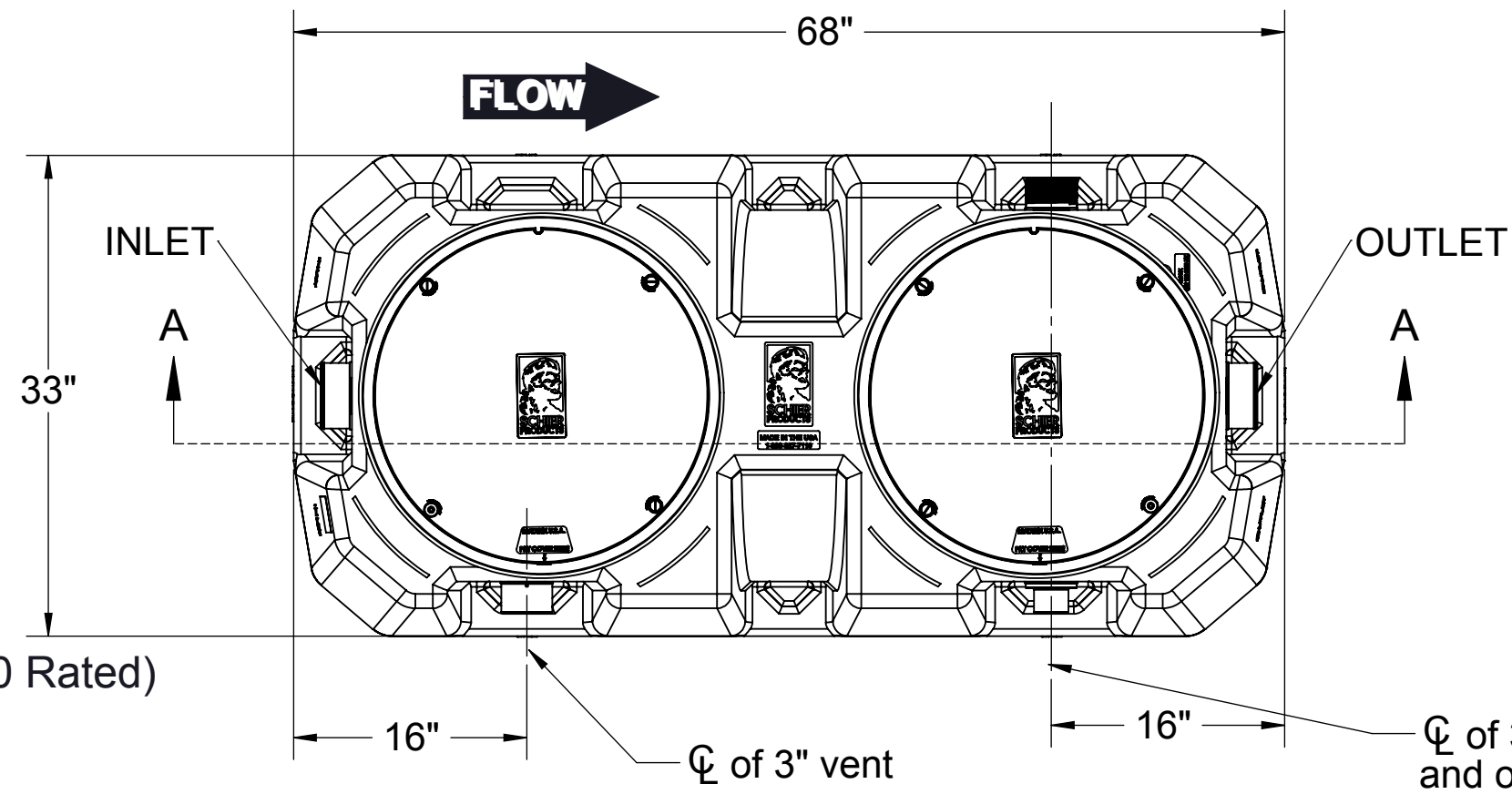
Company: _____

Date of Approval: _____

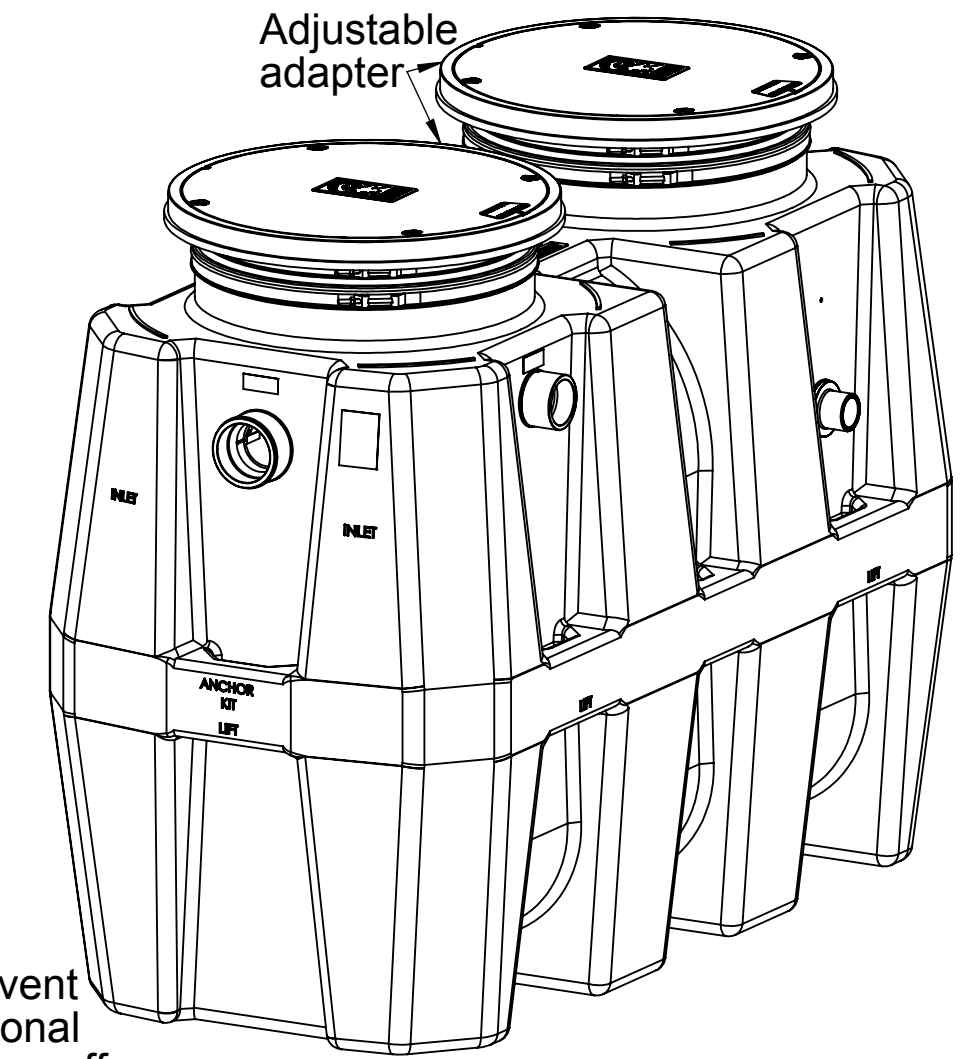
Specifying Engineer: _____

Engineering Firm: _____

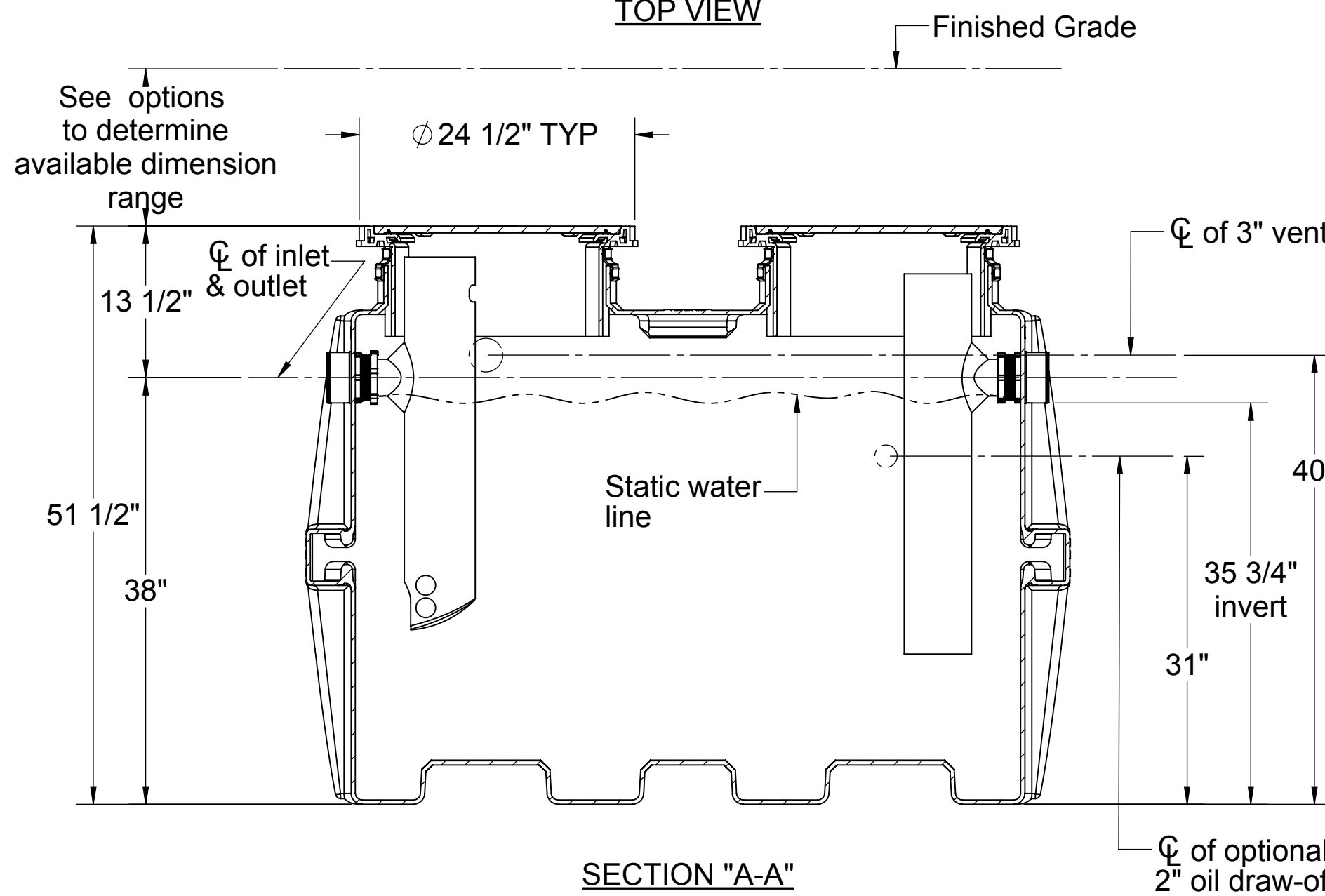
TAG NUMBER: _____



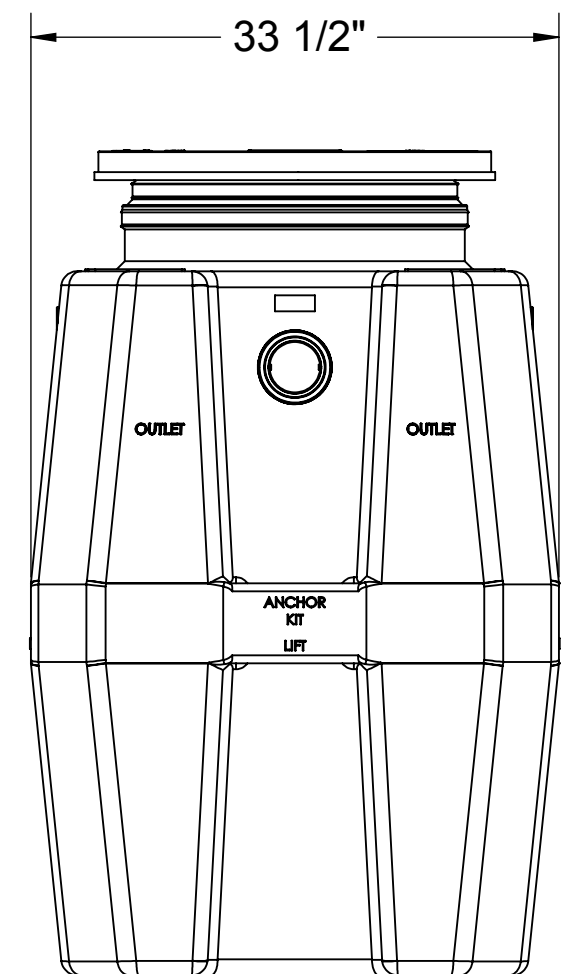
TOP VIEW



ISOMETRIC VIEW



SECTION "A-A"



OUTLET END VIEW

MODEL NUMBER:	OS-100
DESCRIPTION:	100 GPM POLYETHYLENE OIL/SAND SEPARATOR
DWG BY:	RS
DATE:	04/05/16
REV:	0
ECO:	

SUBMITTAL SHEET

Striem
 9500 Woodend Road
 Edwardsville, KS 66111
 Tel: 913-222-1500
 Fax: 913-951-3399
 www.striemco.com

STRIEM

Made in the U.S.A

PROPRIETARY AND CONFIDENTIAL

THE INFORMATION CONTAINED IN THIS DRAWING IS THE SOLE PROPERTY OF STRIEM, LLC. ANY REPRODUCTION IN PART OR AS A WHOLE WITHOUT THE WRITTEN PERMISSION OF STRIEM, LLC. IS PROHIBITED.