

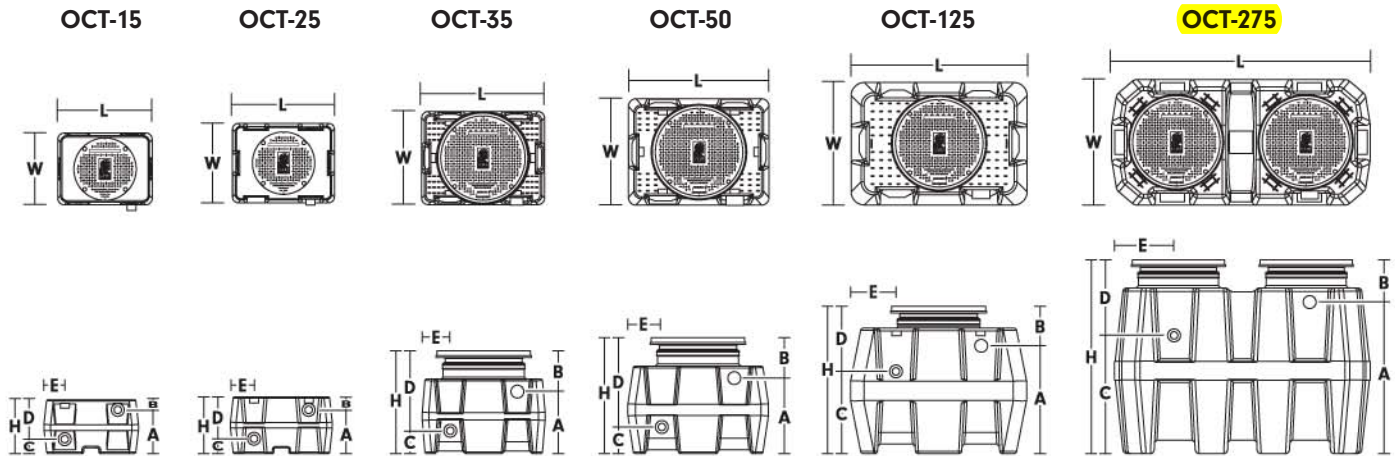
oil collection tanks



SPECIFICATIONS

SCHIER MODEL	Oil Capacity		Pipe Size (Plain End SCH.40)		Rough-in Dimensions (in.)									Cover		Weight (lbs.)		Replaces Previous Schier Model
	Cubic Feet	Gallons	Inlet	Vent	Body			Vent		Inlet		Vent/Inlet	Adapter Adjustability (add to B, D & H)	O.D. (in.)	Load Rating (lbs.)	Dry	Wet	
					L	W	H	A	B	C	D							
OCT-15	2.1	16	2	2	25	19	14 1/4	12	2 1/4	4	10 1/4	5 1/2	n/a	16	2,500	26	164	POCT-15
OCT-25	2.9	22	2	2	27	21	15	11 3/4	3 1/4	4	11	6 1/4	n/a	16	2,500	31	220	POCT-25
OCT-35	4.7	35	2	3	33	25	25	17	8	5 1/2	19 1/2	7 1/2	3 1/2	24	2,000	77	369	POCT-35
OCT-50	7	52	2	3	37	28	28 1/2	20	8 1/2	6 1/2	22	9	3 1/2	24	2,000	90	523	POCT-50
OCT-125	16.7	125	2	3	46	32	38 1/2	28 1/2	10	21 1/2	17	12	6	24	2,000	130	1,171	OCT-75
OCT-275	36.8	275	2	3	68	33 1/2	51 1/2	40	11 1/2	31	20 1/2	16	6	24	2,000	230	2,313	OCT-100

Note 1: For UPC code compliance and when required install two OCT-275 units for a total capacity of 550 gallons. Contact Schier Products for more information.
 Note 2: If OCT-15 or OCT-25 are buried flush at floor and without a riser, cover load is 450 lbs.



Engineer Specification Guide

Download Schier CSI MasterSpec language at schierproducts.com/literature.html

Schier Oil Reserve™ oil collection tank model # _____ shall be lifetime guaranteed and made in USA of seamless, rotationally-molded High Density Polyethylene with minimum 3/8" uniform wall thickness. Separator shall be furnished for above or below grade installation, with field adjustable riser system, 2" inlet line and vent connection. Oil collection tank shall have an oil storage capacity of ___ gallons. Cover shall provide water/gas-tight seal and have minimum 2,000 lbs load capacity.

SCHIER MODEL	TELEGLIDE™ RISER ORDER GUIDE						
	16" Riser	24" Adapter (included)	SR24	LR24	SR24 + SR24	SR24 + LR24	LR24 + LR24
OCT-15/OCT-25	>2 1/8"-16"	n/a	n/a	n/a	n/a	n/a	n/a
OCT-35/OCT-50	n/a	0-3 1/2"	>3 1/2"-22"	>22"-37"	n/a	n/a	n/a
OCT-125/OCT-275	n/a	0-6"	>6"-24"	>24"-39"	>39"-43"	>43"-58"	>58"-72"

Note 2: OS-275 has two covers and requires a set of two units upon order.

LIST PRICES

SCHIER MODEL	Base Unit	* TeleGlide™ Field Adjustable Riser System													
		Short Risers				Long Risers				High Water Anchor Kit (Set of Two)		* Upgrade to Highway Rated Cover		* Upgrade to Highway Rated Pickable Cover	
		Part #	Price	Part #	Price	Part #	Price	Part #	Price	Part #	Price	Part #	Price		
OCT-15	\$974	SR16	\$340	n/a	n/a	n/a	n/a	n/a	n/a	n/a	n/a	n/a	n/a		
OCT-25	\$1,268	SR16	\$340	n/a	n/a	n/a	n/a	n/a	n/a	n/a	n/a	n/a	n/a		
OCT-35	\$1,488	SR24	\$500	LR24	\$630	n/a	n/a	n/a	n/a	n/a	n/a	n/a	n/a		
OCT-50	\$1,922	SR24	\$500	LR24	\$630	AK50	\$650	C24-HUM	\$204	C24-HPUM	\$500				
OCT-125	\$2,518	SR24	\$500	LR24	\$630	AK75	\$850	C24-HUM	\$204	C24-HPUM	\$500				
OCT-275	\$5,170	SR24	\$500	LR24	\$630	AK250	\$850	C24-HUM	\$204	C24-HPUM	\$500				

* OCT-275 has two covers and requires a set of two units upon order.



