

**SPECIFICATIONS (NT-500-B)**

1. 4" inlet and outlet connections, 2" vent connection.
2. Liquid holding capacity: 450 Gallons
3. Total tank capacity: 500 gallons
4. Unit weight w/std. cover: 370 Pounds
5. 2,000 lb. load rated, bolted, gas/water tight composite covers.
6. Maximum operating temperature 190°F continuous.

**NOTES**

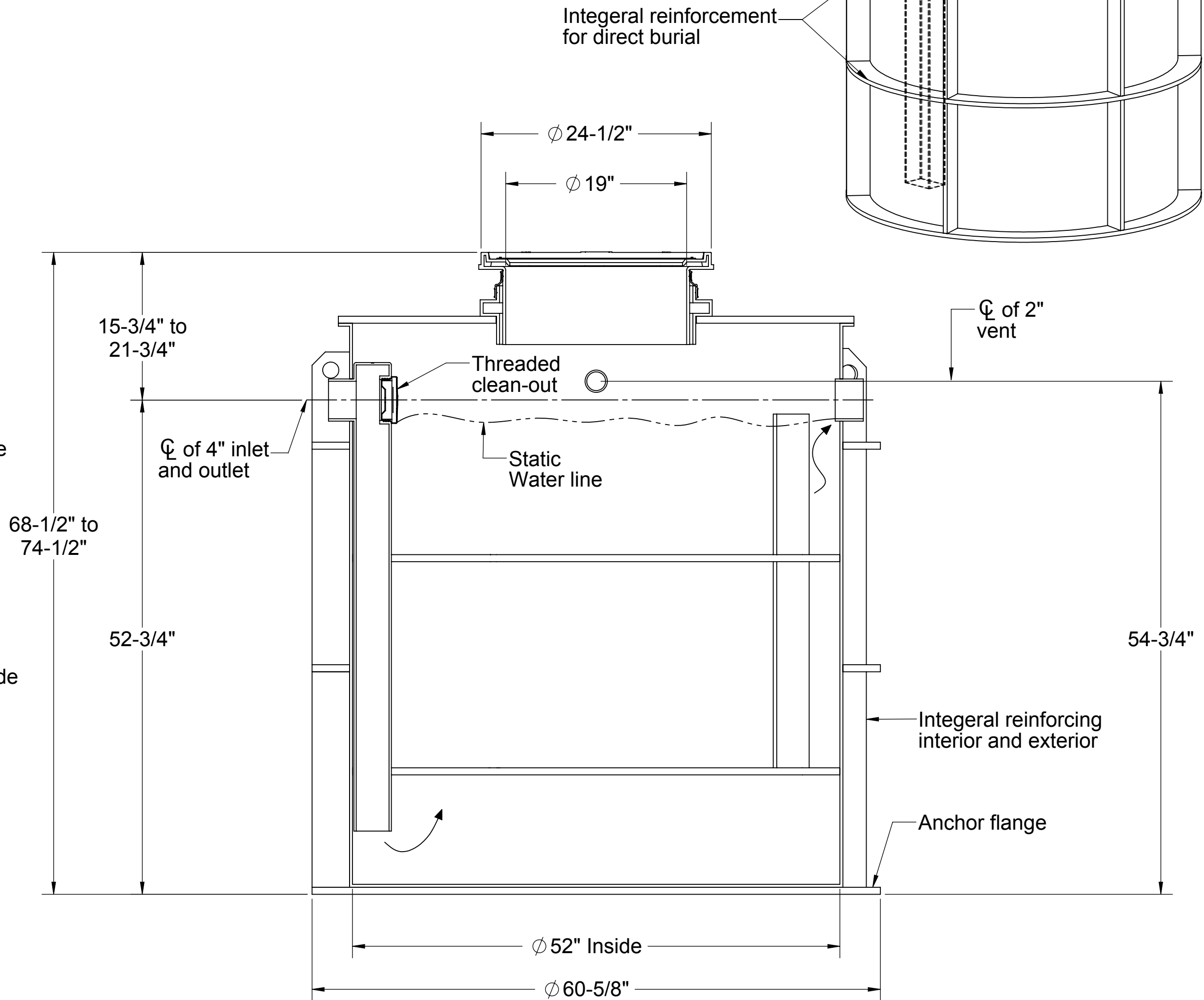
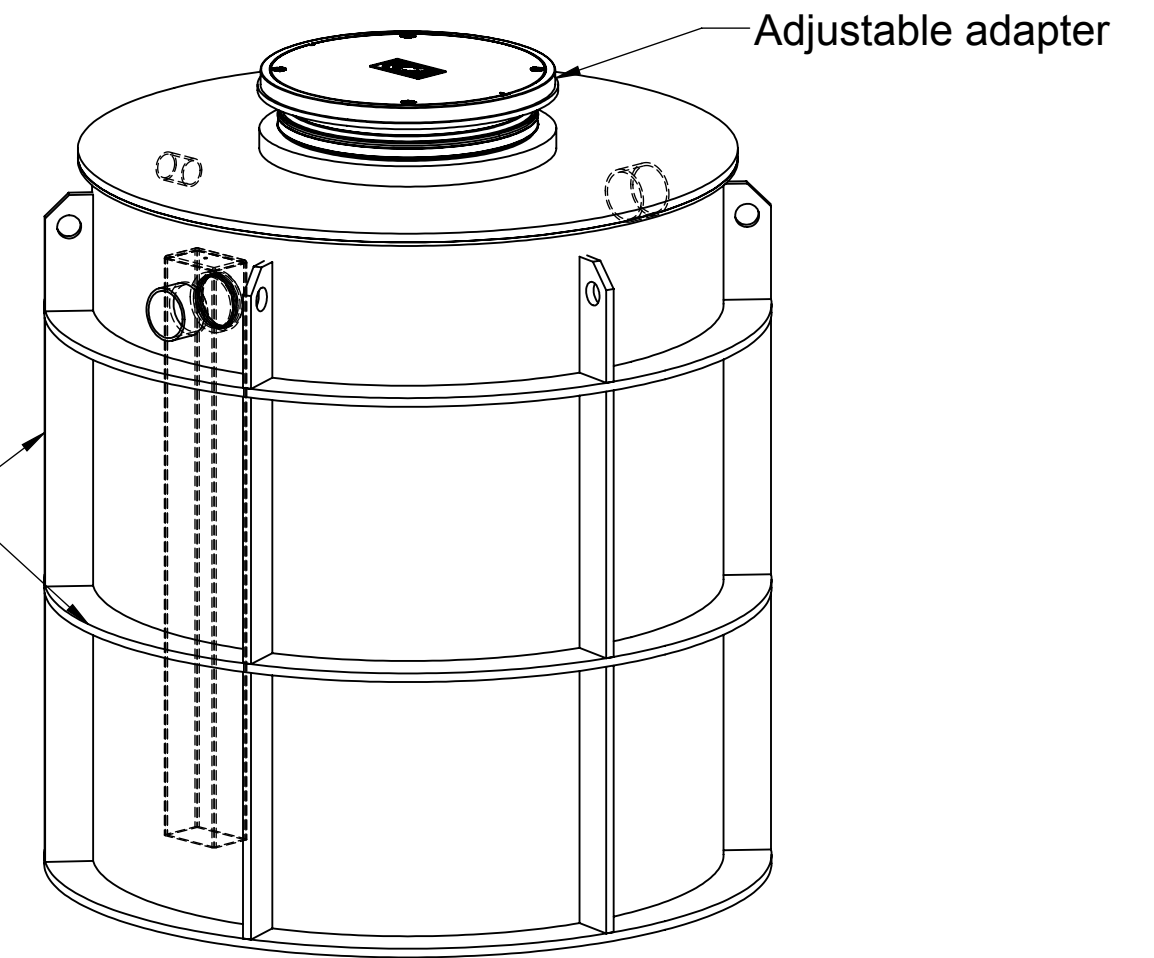
1. For gravity drainage applications only. Do not use for pressure applications.
2. 3/8" thick seamless high density polyethylene walls.
3. Unit supplied with built-in adapter for up to 6" of adjustability. Additional riser(s) are also available for deeper burial depth.
4. Cover placement allows full access to tank for proper maintenance.
5. Unit for below grade installation.

**ENGINEER SPECIFICATION GUIDE**

Schier NT Series neutralization tank model # \_\_\_\_\_ shall be lifetime guaranteed and Made in USA of seamless, rotationally-molded High Density Polyethylene or Polypropylene with minimum 3/8" uniform wall thickness. Tank shall be furnished with inlets, outlets, vents, cover, bracing, riser system, monitoring equipment and other modifications per jobsite-specific conditions and per engineer's specification.

**OPTIONS:**

- Teleglide field adjustable risers for extending covers to grade
- Seamless polyethylene tank material
- Seamless polypropylene tank material
- Plain end connections available in 1-1/2", 2", 3", 4" and 6" pipe size
- Female pipe thread connections available in 1-1/2", 2", 3" and 4" pipe size.
- Flanged pipe connections available in 1-1/2", 2", 3", 4" and 6" pipe size
- Distributor/Debris box
- 90%+ calcium carbonate limestone
- Highway traffic rated composite cover



**PART NUMBER: NT-500-B**

**SPECIFICATION SHEET**

**DESCRIPTION:**

**BELOW GRADE CHEMICAL WASTE TANK  
450 GALLON LIQUID HOLDING CAPACITY  
500 GALLON TOTAL TANK CAPACITY**

**Schier Products**  
9500 Woodend Road  
Edwardsville, KS 66111  
Tel: 800-827-7119  
Fax: 800-827-9664  
www.schierproducts.com



**DOCUMENT NUMBER: nt\_500\_b\_spec**

**Made in the U.S.A**

**DWG BY: TEU | DATE: 1/5/12 | REV: 1 | ECO: 1006**



**PROPRIETARY AND CONFIDENTIAL**

THE INFORMATION CONTAINED IN THIS DRAWING IS THE SOLE PROPERTY OF SCHIER PRODUCTS. ANY REPRODUCTION IN PART OR AS A WHOLE WITHOUT THE WRITTEN PERMISSION OF SCHIER PRODUCTS IS PROHIBITED.

# NT Series

Better Value Recommendation See Lab Basin™ Models on p. 39-40

# neutralization tanks



The NT Series design has been improved to include the TeleGlide™ Riser System for below grade neutralization installations.

Follow steps 1 - 4 for complete NT Series tank quote. Submittal required with order.

SPECIFICATIONS																		
Schier Model	Capacity (gal.)		Recommended Pipe Size		Roughin Dimensions (in.)						Quantity included	Adapter Adjustability (add to HB)	Weight (lbs.)				Lab Basin™ Equivalent	
	Total Tank	Liquid Holding	Inlet/Outlet	Vent	Inner Diameter	Outside Diameter	Above Grade Height	Below Grade Height	Inlet/Outlet	Vent			Above Grade		Below Grade			
													Dry	Wet	Dry	Wet		
	ID	OD	HA	HB	A	B												
NT-30H	8	40	30.4	3	2	22	28	24 1/2	33	20	21	1	3 1/2"	40	294	55	309	LB-35
NT-55	12	55	41.1	3	2	22	28	36 1/2	43	27	29	1	6"	50	393	65	408	LB-50
NT-55H	16	70	55	3	2	24	30	36 1/2	43 3/4	30	32	1	6"	70	529	85	544	LB-50
NT-100	27	100	90.6	4	2	28	34	42 1/2	49 3/4	36	38	1	6"	85	841	105	861	LB-125
NT-100H	32	150	117.6	4	2	31	37	48 1/2	55 3/4	38	40	1	6"	100	1,081	120	1,101	LB-125
NT-150	32	150	117.6	4	2	31	37	48 1/2	55 3/4	38	40	1	6"	100	1,081	120	1,101	LB-125
NT-150H	41	200	154.2	4	2	36	40	48 1/2	55 3/4	38	40	1	6"	125	1,411	185	1,471	LB-275
NT-200	41	200	154.2	4	2	36	40	48 1/2	55 3/4	38	40	1	6"	125	1,411	185	1,471	LB-275
NT-200H	63	275	209.9	4	2	42	48	48 1/2	55 3/4	38	40	1	6"	160	1,911	215	1,966	LB-275
NT-275	63	275	209.9	4	2	42	48	48 1/2	55 3/4	38	40	1	6"	160	1,911	215	1,966	LB-275
NT-275H	75	350	275	4	2	48	52	48 1/2	55 3/4	38	40	1	6"	200	2,494	270	2,564	LB-275
NT-350	75	350	275	4	2	48	52	48 1/2	55 3/4	38	40	1	6"	200	2,494	270	2,564	LB-275
NT-350H	107	440	350	4	2	52	58	48 1/2	55 3/4	41	43	1	6"	210	3,129	310	3,229	LB-275 (2 in series)
NT-500	135	500	450.5	4	2	52	58	60 1/2	67 3/4	52	54	1	6"	225	3,982	370	4,127	LB-275 (2 in series)
NT-500H	150	650	501.1	4	2	48	54	84 1/2	91 3/4	70	73	1	6"	300	4,479	380	4,559	LB-275 (3 in series)
NT-1200	291	1,360	1,200	4	2	69	75	87	94	76	78	2	6"	500	10,216	890	10,606	LB-275 (4 in series)
NT-1500	326	1,500	1,304	4	2	73	77 3/4	85 1/2	92 1/2	74	76	2	6"	650	11,400	1,040	11,789	LB-275 (5 in series)
NT-2000	432	2,000	1,727	4	2	84	91	86 3/4	93 3/4	74	76	2	6"	850	15,253	1,240	15,643	n/a

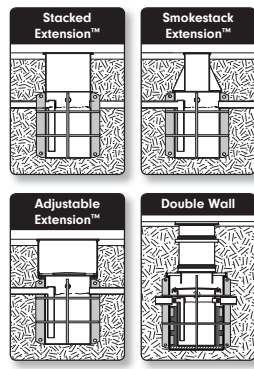
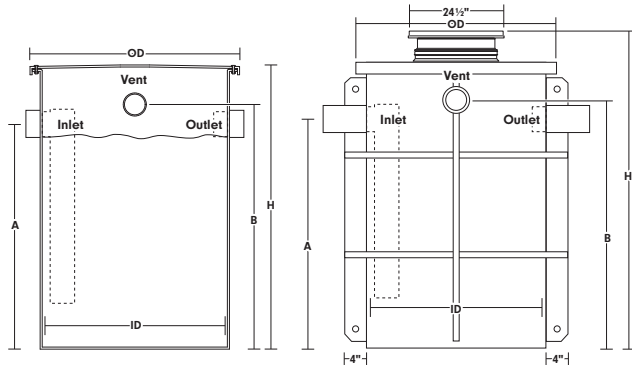
Note 1: The following models have been eliminated: NT-5, NT-5H, NT-15H, NT-50, and NT-325. See Lab Basin™ equivalent as needed.  
 Note 2: Pipe locations, sizes and types are made-to-order per submittal sheet.

### Above Grade

### Below Grade

### Alternate Tank Designs

(specifications and pricing available upon request)



Note 3: NT-1200, NT-1500 and NT-2000 have two covers and require a set of two risers when ordered.  
 Note 4: Structural reinforcement provided as required by Schier Products.

### Engineer Specification Guide

Download Schier CSI MasterSpec language at [schierproducts.com/literature.html](http://schierproducts.com/literature.html)

Schier NT Series neutralization tank model # \_\_\_\_\_ shall be lifetime guaranteed and made in USA of seamless, rotationally-molded High Density Polyethylene or Polypropylene with minimum 3/8" uniform wall thickness. Tank shall be furnished with inlets, outlets, vents, cover, bracing, field adjustable riser system, monitoring equipment and other modifications per jobsite-specific conditions and per engineer's specification.

STEP 1 LIST PRICES: TANK AND LIMESTONE											
Polyethylene				Polypropylene				Add for Limestone			
Above Grade		Below Grade		Above Grade		Below Grade		Load (lbs.)		Part # Price	
Model Number	Price	Model Number	Price	Model Number	Price	Model Number	Price				
NT-30H-A-PE	\$642	NT-30H-B-PE	\$3,648	NT-30H-A-PP	\$1,052	NT-30H-B-PP	\$3,878	375	LS-375	\$254	
NT-55-A-PE	\$720	NT-55-B-PE	\$3,876	NT-55-A-PP	\$1,366	NT-55-B-PP	\$4,334	500	LS-500	\$338	
NT-55H-A-PE	\$864	NT-55H-B-PE	\$4,556	NT-55H-A-PP	\$1,466	NT-55H-B-PP	\$4,942	675	LS-675	\$456	
NT-100-A-PE	\$1,046	NT-100-B-PE	\$5,556	NT-100-A-PP	\$2,008	NT-100-B-PP	\$6,090	1,100	LS-1100	\$664	
NT-100H-A-PE	\$1,480	NT-100H-B-PE	\$6,074	NT-100H-A-PP	\$2,346	NT-100H-B-PP	\$7,186	1,450	LS-1450	\$856	
NT-150-A-PE	\$1,370	NT-150-B-PE	\$6,074	NT-150-A-PP	\$2,346	NT-150-B-PP	\$7,186	1,450	LS-1450	\$856	
NT-150H-A-PE	\$1,566	NT-150H-B-PE	\$7,418	NT-150H-A-PP	\$2,680	NT-150H-B-PP	\$9,790	1,900	LS-1900	\$1,090	
NT-200-A-PE	\$1,566	NT-200-B-PE	\$7,418	NT-200-A-PP	\$2,680	NT-200-B-PP	\$9,790	1,900	LS-1900	\$1,090	
NT-200H-A-PE	\$1,908	NT-200H-B-PE	\$9,338	NT-200H-A-PP	\$2,984	NT-200H-B-PP	\$10,544	2,375	LS-2375	\$1,410	
NT-275-A-PE	\$1,908	NT-275-B-PE	\$9,526	NT-275-A-PP	\$2,984	NT-275-B-PP	\$10,952	2,375	LS-2375	\$1,410	
NT-275H-A-PE	\$2,578	NT-275H-B-PE	\$11,424	NT-275H-A-PP	\$5,096	NT-275H-B-PP	\$13,266	3,300	LS-3300	\$1,868	
NT-350-A-PE	\$2,578	NT-350-B-PE	\$11,074	NT-350-A-PP	\$5,096	NT-350-B-PP	\$13,266	3,400	LS-3400	\$2,000	
NT-350H-A-PE	\$2,984	NT-350H-B-PE	\$12,748	NT-350H-A-PP	\$4,430	NT-350H-B-PP	\$16,482	4,300	LS-4300	\$2,794	
NT-500-A-PE	\$3,462	NT-500-B-PE	\$14,602	NT-500-A-PP	\$5,422	NT-500-B-PP	\$18,946	5,500	LS-5500	\$2,696	
NT-500H-A-PE	\$4,748	NT-500H-B-PE	\$13,848	NT-500H-A-PP	\$7,300	NT-500H-B-PP	\$19,338	6,500	LS-6500	\$3,058	
NT-1200-A-PE	\$13,226	NT-1200-B-PE	\$30,038	n/a	n/a	n/a	n/a	12,900	LS-12900	\$5,636	
NT-1500-A-PE	\$18,238	NT-1500-B-PE	\$37,846	n/a	n/a	n/a	n/a	15,500	LS-15500	\$7,250	
NT-2000-A-PE	\$20,452	NT-2000-B-PE	\$43,998	n/a	n/a	n/a	n/a	22,200	LS-22200	\$9,666	

**STEP 3 ADDITIONAL OPTIONS**

**Distributor Box**

DB99  
List: \$252

**15" Threaded Accessway**

AWH15 (Above Grade Only) List: \$296

**Upgrade to Highway Rated Cover**

C24-HUM (Below Grade Only) List/ea: \$204

**STEP 2 LIST PRICES: PIPE CONNECTIONS**

Plain End (ASTM D2665-11), Female Thread (ANSI B1.20.1)	1-1/2"	2"	3"	4"	6"
Less Driptube Outlet & Vent (typ.)	\$50	\$62	\$76	\$86	\$164 (plain end only)
With Driptube Inlet (typ.)	\$144	\$152	\$162	\$230	\$294 (plain end only)
Flanged Connection according to ANSI B16.5 150# bolt pattern					
Less Driptube Outlet & Vent (typ.)	\$136	\$156	\$196	\$258	\$348
With Driptube Inlet (typ.)	\$228	\$248	\$296	\$392	\$454

**STEP 4 TELEGLIDE™ RISER ORDER GUIDE**

SELECT RISERS AS NEEDED FOR BELOW GRADE TANKS  
 DIMENSIONS MEASURE FROM TOP OF FULLY EXTENDED ADAPTER

SCHIER MODEL	24" Adapter (included)	SR24	LR24	SR24 + SR24	SR24 + LR24	LR24 + LR24
NT-30H	0.3 1/2"	>3 1/2" 22"	>22" 37"	>37.41"	>41" 56"	>56" 70"
all other NT models	0.6"	>6" 24"	>24" 39"	>39.45"	>43" 58"	>58" 72"

Note: NT-1200, NT-1500 and NT-2000 have two covers and require a set of two risers upon order.

24" adapter (included)

short riser  
SR24: \$500

long riser  
LR24: \$630

