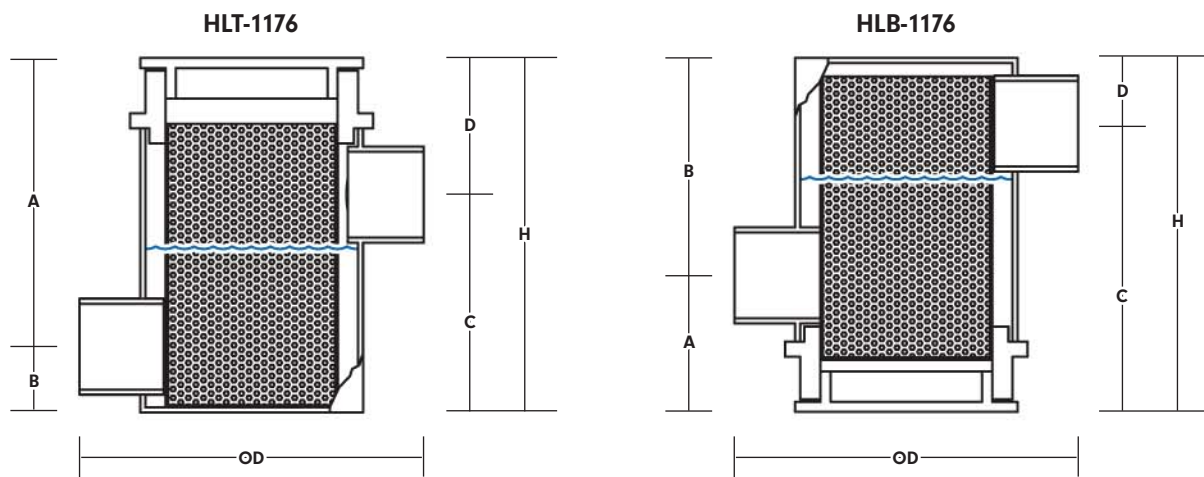


Under Counter Solids Interceptors

SCHIER MODEL	Liquid Capacity (gal.)	Access Location	Plain End Connections	Rough-in Dimensions (in.)						Weight (lbs.)	
				Body		Inlet		Outlet		Dry	Wet
				OD	H	A	B	C	D		
HLT-1176-1	0.5	Top	1 1/2	8 1/2	8 3/4	1 5/8	7 1/8	5 3/8	3 3/8	4	8
HLT-1176-2	0.5	Top	2	8 1/2	8 3/4	1 5/8	7 1/8	5 3/8	3 3/8	4	8
HLB-1176-1	0.5	Bottom	1 1/2	8 1/2	8 3/4	3 3/8	5 3/8	7 1/8	1 5/8	4	8
HLB-1176-2	0.5	Bottom	2	8 1/2	8 3/4	3 3/8	5 3/8	7 1/8	1 5/8	4	8

SCHIER MODEL	Base Unit
HLT-1176-1	\$334
HLT-1176-2	\$334
HLB-1176-1	\$334
HLB-1176-2	\$334

Note 1: Before removing cover of bottom access style tanks, prepare area for drainage of tank.
 Note 2: Requires 7" of minimum clearance for removal of basket. See depictions at bottom of this page.



Engineer Specification Guide

Download Schier CSI MasterSpec language at schierproducts.com/literature.html

Schier solids interceptor model # _____ shall be lifetime guaranteed and made in USA of seamless, rotationally-molded High Density Polyethylene with minimum 3/8" uniform wall thickness. Interceptor shall be furnished with removable 304 series stainless steel basket. Interceptor shall be watertight up to 36" head and contain internal sewer gas trap. Interceptor shall have 4" hand-thread, gasketed top access.

