

MODEL T360H

3-piece remodeler

Width: 60"
 Depth: 34 3/8"
 Height: 77"

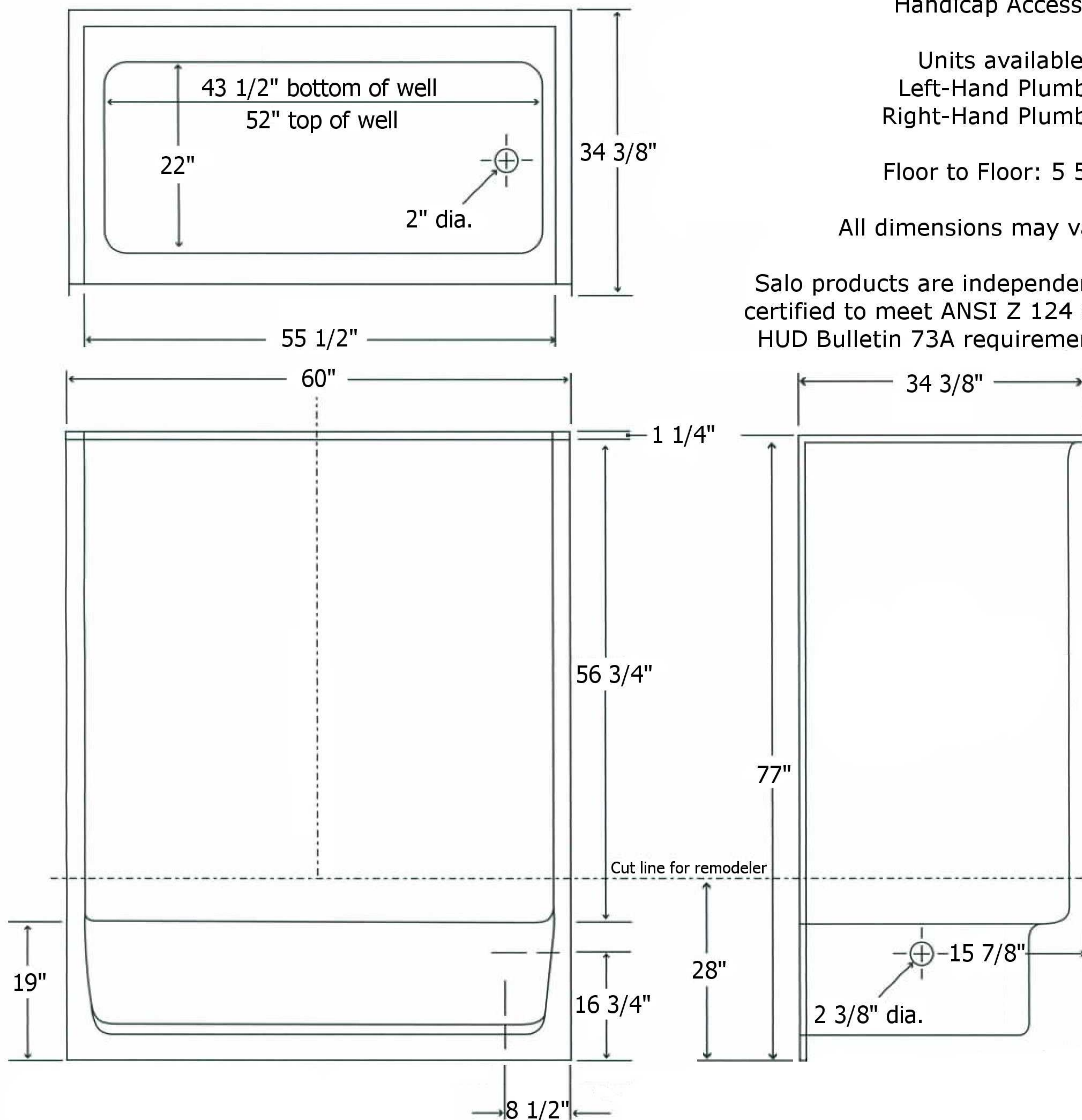
Handicap Accessible

Units available in:
 Left-Hand Plumbing
 Right-Hand Plumbing

Floor to Floor: 5 5/8"

All dimensions may vary.

Salo products are independently certified to meet ANSI Z 124 and HUD Bulletin 73A requirements.



- OPTION 1 Unit reinforced for future seat and grab bar installation
- OPTION 2 Factory-installed grab bars (1-12", 3-24")
- OPTION 3 Factory-installed grab bars and folding seat
- OPTION 4A ADA Compliant Unit (includes factory-installed grab bars, folding seat, hand-held shower with 24" slide bar, vacuum breaker with 60" hose, pressure balancing mixing valve, tub spout)
- OPTION 4B ADA Compliant Unit; option 4A plus factory-installed stainless steel curtain rod