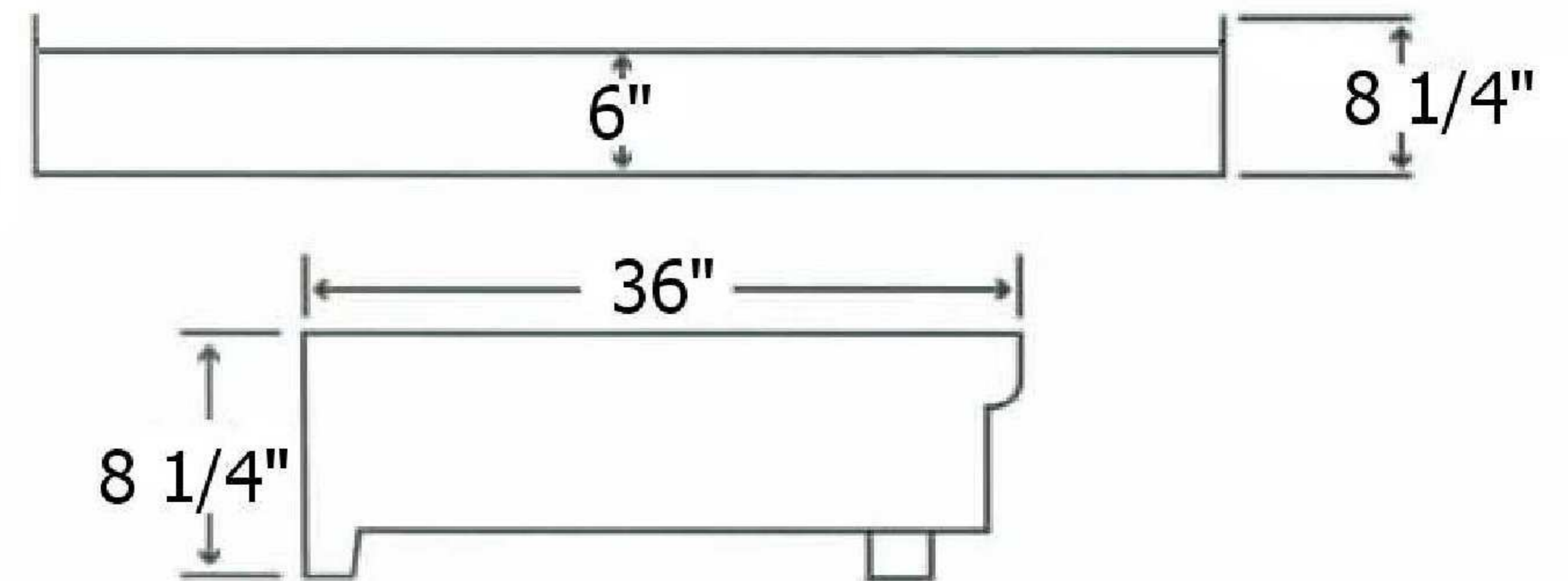
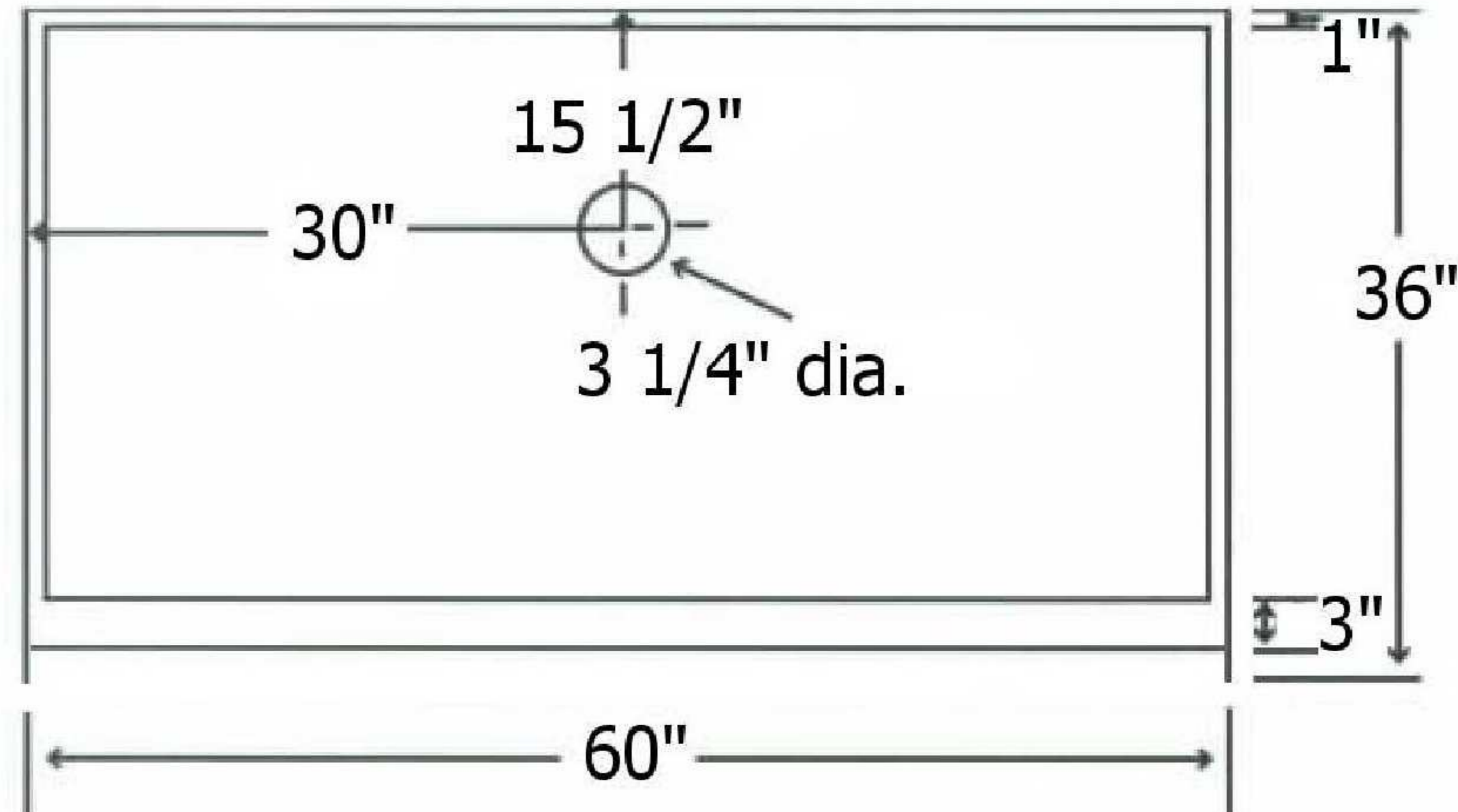


MODEL 60X36 PAN

Width: 60"
Depth: 36"
Height: 8 1/4"

Available in Center Drain only.

Floor to Floor: 1 3/4"



Salo products are independently certified to meet ANSI Z 124 and HUD Bulletin 73A requirements.

(C) 2010 Salo Manufacturing, Inc.