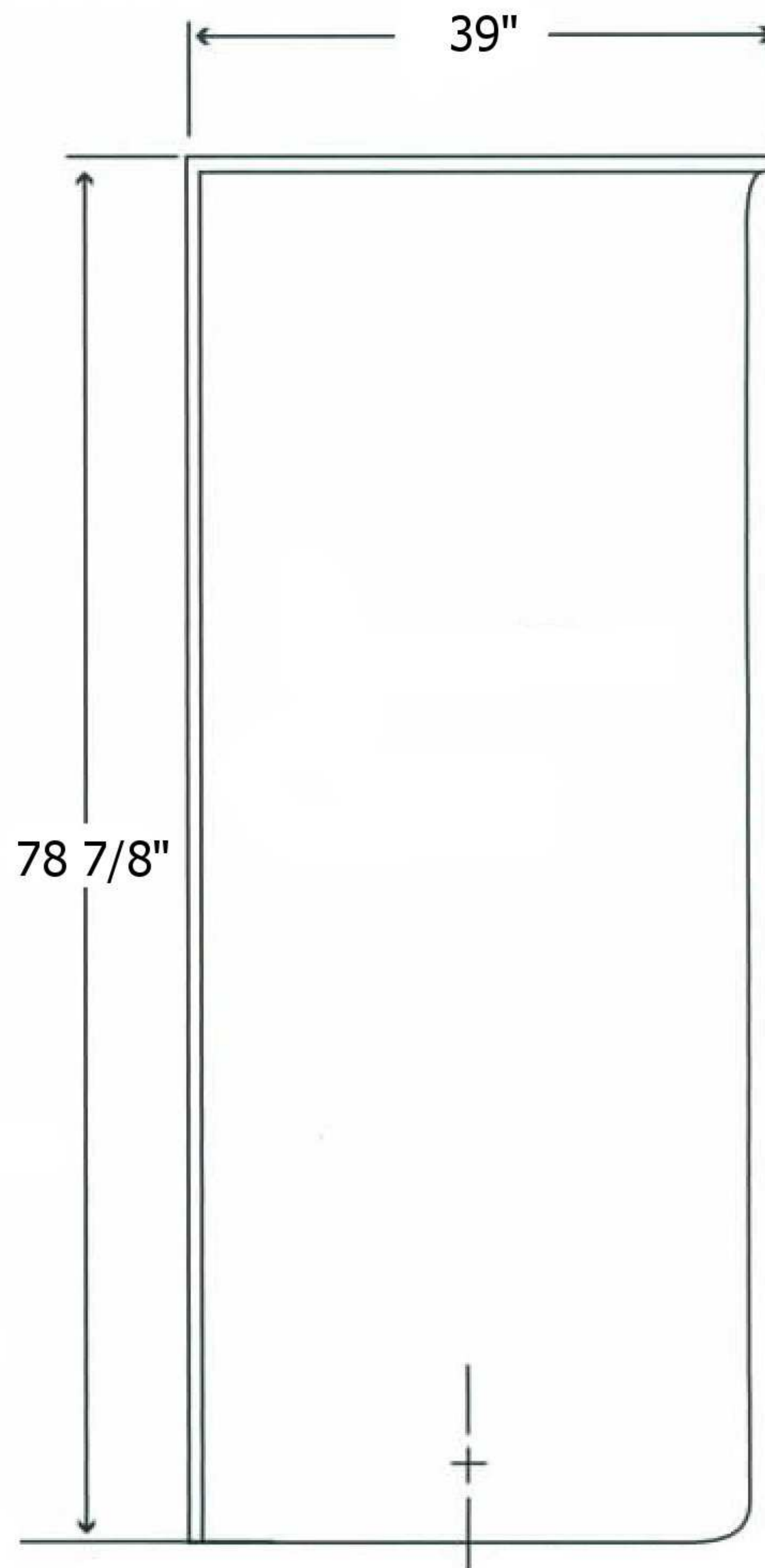
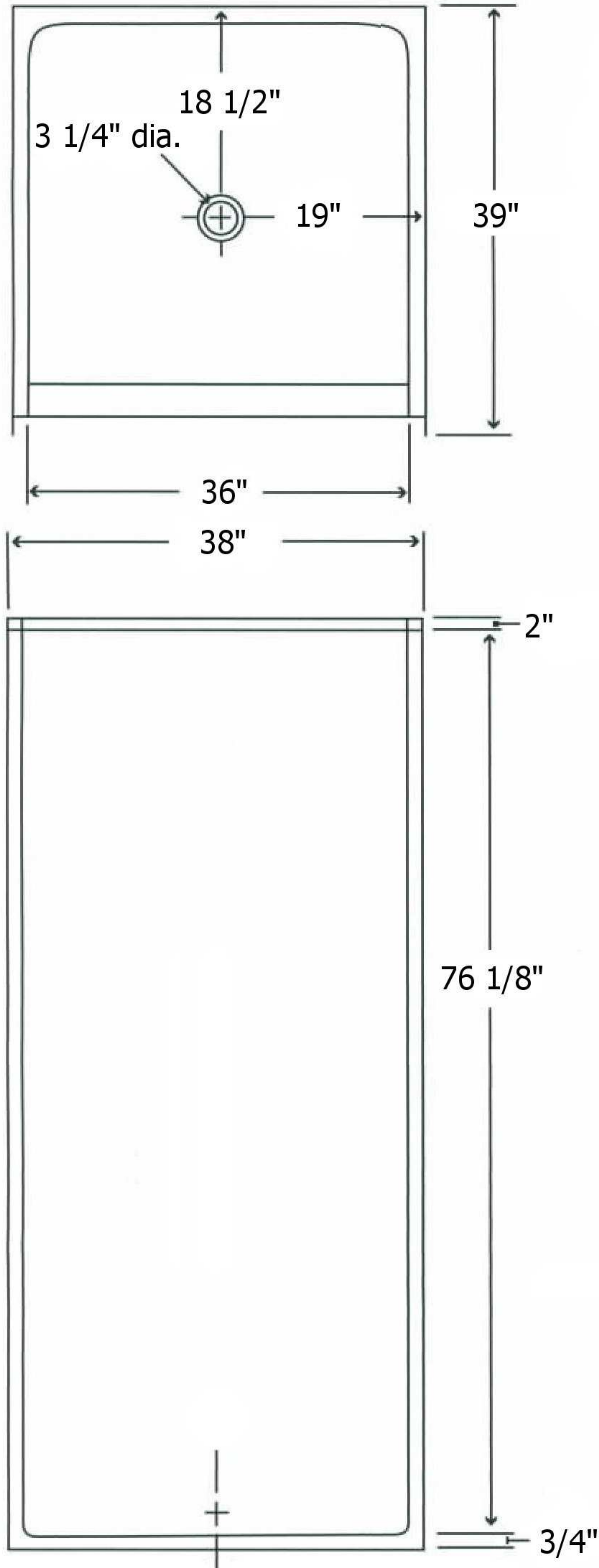


MODEL 138H BF

1-piece

Width: 38"
 Depth: 39"
 Height: 78 7/8"



Handicap Accessible

Barrier-Free 3/4" threshold

All dimensions may vary.

Salo products are independently certified to meet ANSI Z 124 and HUD Bulletin 73A requirements.

- OPTION 1 Unit reinforced for future seat and grab bar installation
- OPTION 2A Factory-installed L-shaped grab bar
- OPTION 2B Factory-installed U-shaped grab bar
- OPTION 3 Factory-installed L-shaped grab bar and L-shaped fold-up seat
- OPTION 4A ADA Compliant Unit (includes factory-installed grab bars, fold-up seat, hand-held shower with 24" slide bar, vacuum breaker with 60" hose, pressure balancing mixing valve)
- OPTION 4B ADA Compliant Unit; option 4A plus factory-installed stainless steel curtain rod