

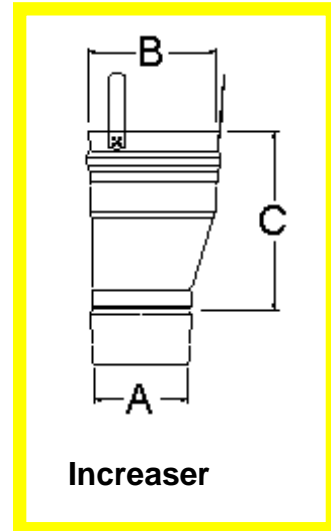
Saf-T Vent[®] EZ Seal

SINGLE WALL AL 29-4C[®] SPECIAL GAS VENT

Increasers & Reducers:

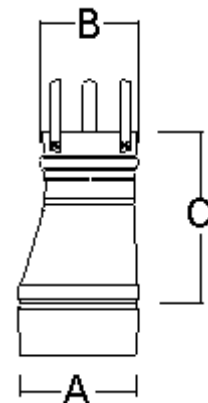
Increaser — Use to upsize a vent system. The term “increaser” is based on an increase in vent diameter in the direction of flue gas motion. Increasers are eccentric to allow for proper drainage of condensate when installed horizontally. Other diameter configurations may be available; please contact Heat-fab’s Engineering Team to discuss your special needs.

Part Number	DIM - A Inlet Diameter	DIM - B Outlet Diameter	DIM - C Installed Length
9374	3	4	6.0
9475	4	5	10.5
9476	4	6	10.5
9576	5	6	10.5
9677	6	7	10.5
9678	6	8	10.5
96710	6	10	16.5
98710	8	10	10.5
98712	8	12	16.5
99710	9	10	10.5
910712	9	12	10.5
910714	9	14	16.5
912714	12	14	10.5
914716	14	16	10.5
916718	16	18	10.5



Reducer — Use to downsize a vent system. A reducer may only be used when specified or allowed by the appliance manufacturer. The term “reducer” is based on a reduction in vent diameter in the direction of flue gas motion. Reducers are eccentric to allow for proper drainage of condensate when installed horizontally. Other diameter configurations may be available; please contact Heat-fab’s Engineering Team to discuss your special needs.

Part Number	DIM - A Inlet Diameter	DIM - B Outlet Diameter	DIM - C Installed Length
9473RDCR	4	3	6
9574	5	4	10.5



Reducer