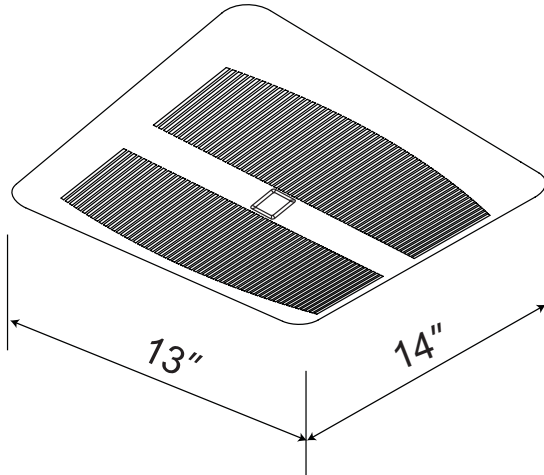




PCMK - Premium Choice Motion Sensing Kit



Dimensions (inches)

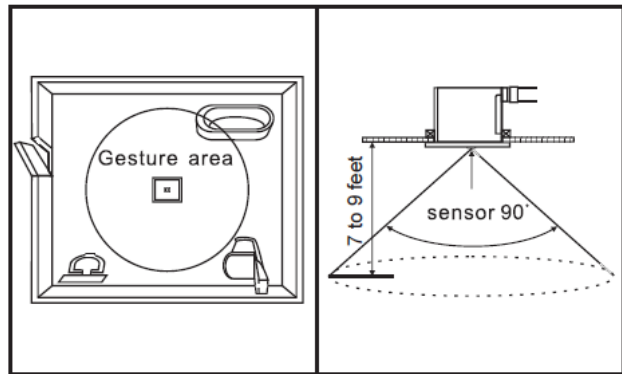


Grille Features:

- Installation Distance: 7 to 9 feet
- Sensing range is within the cone of angle of 90°
- Adjustable Time Delay shut-off from 3 to 30 minutes
- Adjustable continuous speed or intermittent reduced speed up to 50%
- One LED light is a sensor indicator and the other 5 LED lights are the night light which is operation by a switch

The PCMK is compatible with the following PC models, and the chart shows the minimum CFM that can be achieved with the PCMK speed adjustment:

Model	Min. CFM with PCMK
PC80X	20
PC110X	25
PC150	30



The chart below indicates with plug-&-play or other PC accessories can be used with the PCMK:

	Standard Grille	PCLK	PCHS	PCSC	PC3S	PCRD	PCMG
PCMK	-	-	-	-	✓	-	-

ACCESSORY MODEL	1	2	3	4	5	REMARKS

Project: _____	Submitted: _____
Customer: _____	Approved: _____
Location: _____	

For more information contact the factory for additional submittal drawings.

S&P will not be responsible for fabrication changes or errors resulting from customer use of a non-current submittal drawing.

