

THE ORIGINAL UNI-FLANGE BALL VALVE NOW AVAILABLE FOR PRESS FIT INSTALLATION

- Compatible with popular press tools
- Available multi-function drain purges before or after pump
- Snug-fit rotating flange provides greater control during installation
- Guaranteed for life



PRO-CONNECT PRESS™ THE ISOLATOR® W/ ROTATING FLANGE

Full Port Forged Brass Uni-Flange Ball Valves w/ Detachable Rotating Flange, Adjustable Packing Gland, Nuts & Bolts

ISO 9001 • 250 CWP/250°F MAX
PATENTS PENDING

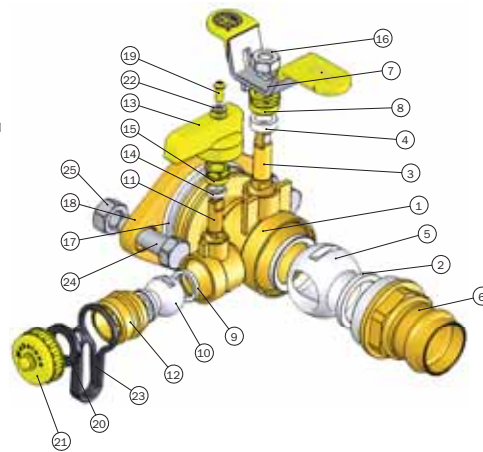
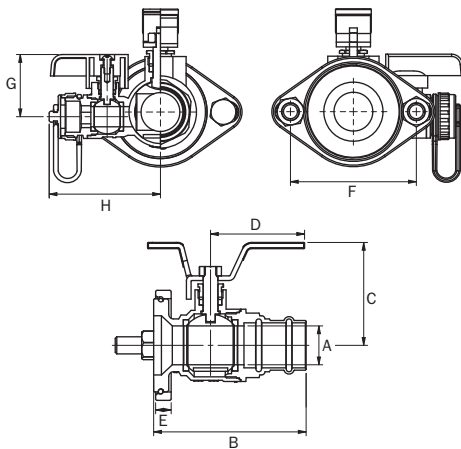
PRESS x ROTATING FLANGE	STANDARD BRASS		A	B	C	D	E	F
	SIZE	ITEM # CTN/CS						
3/4"	81403HV	1/20	3/4	3 5/16	2 1/4	2 3/8	3/8	3 3/16
1"	81404HV	1/20	1	4	2 5/8	2 3/8	3/8	3 3/16
1 1/4"	81405HV	1/20	1 1/4	4 7/16	2 15/16	3 3/8	3/8	3 3/16
1 1/2"	81406HV	1/10	1 7/16	4 15/16	3 3/16	3 3/8	3/8	3 3/16
2"	81407HV	1/10	1 15/16	5 13/16	3 9/16	3 3/8	3/8	3 11/16

PRO-CONNECT PRESS™ THE ISOLATOR® W/ ROTATING FLANGE & MULTI-FUNCTION DRAIN

Full Port Forged Brass Uni-Flange Ball Valves w/ Detachable Rotating Flange, Multi-Function Drain, Adjustable Packing Gland, Nuts & Bolts

ISO 9001 • 250 CWP/250°F MAX
PATENTED TECHNOLOGY

PRESS x ROTATING FLANGE	STANDARD BRASS		A	B	C	D	E	F	G	H
	SIZE	ITEM # CTN/CS								
3/4"	81413HV	1/20	3/4	3 11/16	2 1/4	2 3/8	3/8	3 3/16	1 9/16	2 3/4
1"	81414HV	1/20	1	3 7/8	2 5/8	2 3/8	3/8	3 3/16	1 9/16	2 13/16
1 1/4"	81415HV	1/10	1 1/4	4 7/16	2 15/16	3 3/8	3/8	3 3/16	1 3/4	3 5/16
1 1/2"	81416HV	1/10	1 7/16	5	3 3/16	3 3/8	3/8	3 3/16	1 3/4	3 1/2
2"	81417HV	1/10	1 15/16	5 13/16	3 9/16	3 3/8	3/8	3 11/16	1 3/4	3 3/4



NO.	DESCRIPTION	MATERIAL
1	BODY	BRASS
2	SEAT	PTFE
3	STEM	BRASS
4	STEM SEAL	PTFE
5	BALL	BRASS
6	END CAP	BRASS
7	HANDLE	PLATED STEEL
8	PACKING GLAND	BRASS
9	DRAIN SEATS	PTFE
10	DRAIN BALL	PLATED BRASS
11	DRAIN STEM	BRASS
12	DRAIN END CAP	BRASS
13	DRAIN HANDLE	EPOXY COATED ALUMINUM
14	STEM SEAL	PTFE
15	PACKING GLAND	BRASS
16	HANDLE NUT	STAINLESS STEEL
17	RETAINER	STAINLESS STEEL
18	FLANGE	BRASS
19	SCREW	STAINLESS STEEL
20	GASKET	EPDM
21	CAP	BRASS
22	WASHER	STAINLESS STEEL
23	STRAP	PVC
24	FLANGE BOLTS	STAINLESS STEEL
25	HEX NUTS	STAINLESS STEEL

Webstone
VALVE INNOVATION

ONE APPIAN WAY WORCESTER, MA 01610
P.O. BOX 59 WORCESTER, MA 01613
P: (800) 225-9529 • F: (800) 336-5133
www.webstonevalves.com