



Figure # 260A

Bronze Threaded Angle Globe Valve (3/8"-3")

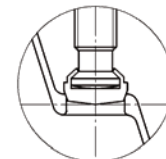
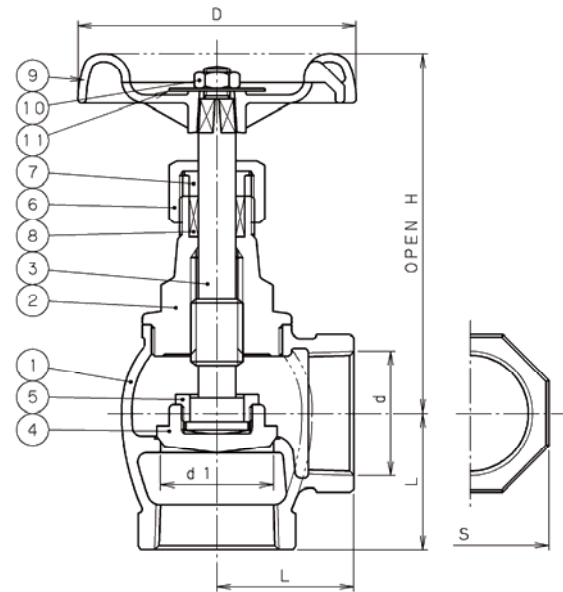
Product Features

- 150# WSP / 300# WOG
- Bronze Angle Body
- Swivel Type Disc
- Threaded Ends
- Inserted Bonnet
- MSS-SP-80

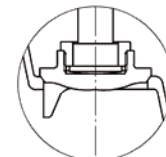


Materials & Specifications

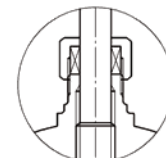
Item	Description	Material	Specification
1	Body	Cast Bronze	B62-C83600
2	Bonnet	Cast Bronze	B62-C83600
2	Bonnet	Brass (3/8" Only)	B283-C37700
3	Stem	Brass	DR Alloy
4	Disc	Cast Bronze (2-3")	B62-C83600
4	Disc	Brass	DR alloy
5	Lock Nut	Brass	B16-C36000
6	Packing Nut	Brass (2-1/2" - 3")	B16-C36000
6	Packing Nut	Brass	B283-C37700
7	Gland	Brass	B124-C37700
8	Gland Packing	Plastic Graphite	T#2996NA
9	Handwheel	Aluminum Alloy	B85-SC114A
9	Handwheel	Zinc Alloy (3/8" only)	B86-AG40A
11	Wheel Nut	Steel	A36
12	Name Plate	Aluminum	B209



SIZES 1/4 to 1



SIZE 3



SIZES 1/4 to 1/2

Dimensions, Weights (inches-lbs.) & Valve Data

Size	3/8	1/2	3/4	1	1-1/4	1-1/2	2	2-1/2	3
D	2.17	2.48	2.76	3.15	3.54	3.94	4.33	4.92	6.3
d1	.47	.59	.79	.98	1.26	1.58	1.97	2.56	3.15
d (NPT)	.375	.5	.75	1.0	1.25	1.5	2.0	2.5	3.0
H	2.76	3.03	3.8	4.25	5.2	5.75	6.61	7.72	8.54
L	.98	1.08	1.28	1.5	1.73	1.95	2.32	2.85	3.33
S	.95	1.1	1.38	1.61	1.97	2.24	2.76	3.47	4.09
Cv	2.5	4	7.5	13	23	34	55	97	166
Wt.- lbs.	.7	.9	1.6	2.1	3.2	4.6	7.1	12.3	18.3

