

DURAWATT® ELECTRIC • PACKAGED WATER HEATER AquaPLEX® - STORAGE TANK (UNLINED DUPLEX ALLOY)

TANK SERIES 125 GALLONS

MODEL NUMBER	RECOVERY RATE GPH		INPUT kW	ELEMENT AMPS				SHIPPING WEIGHT lbs
	40°-120°F	40°-140°F		240V, 1Ø	208V, 3Ø	240V, 3Ø	480V, 3Ø	
45 L 125A-VE	45	37	9	38	25	22	11	800
90 L 125A-VE	90	70	18	75	50	44	22	800
140 L 125A-VE	140	111	27	113	75	65	33	800
180 L 125A-VE	180	150	36	150	100	87	44	800
230 L 125A-VE	230	184	45	188	125	109	55	810
270 L 125A-VE	270	220	54	225	150	130	65	810
320 L 125A-VE	320	256	63	263	175	152	76	810
370 L 125A-VE	370	300	72	300	200	174	87	810
410 L 125A-VE	410	330	81	338	225	195	98	820
460 L 125A-VE	460	370	90	375	250	217	109	820
510 L 125A-VE	510	400	99	413	275	239	120	840
550 L 125A-VE	550	440	108	450	300	260	130	840
650 L 125A-VE	650	515	126	525	350	304	152	850
740 L 125A-VE	740	590	144	600	400	347	174	870

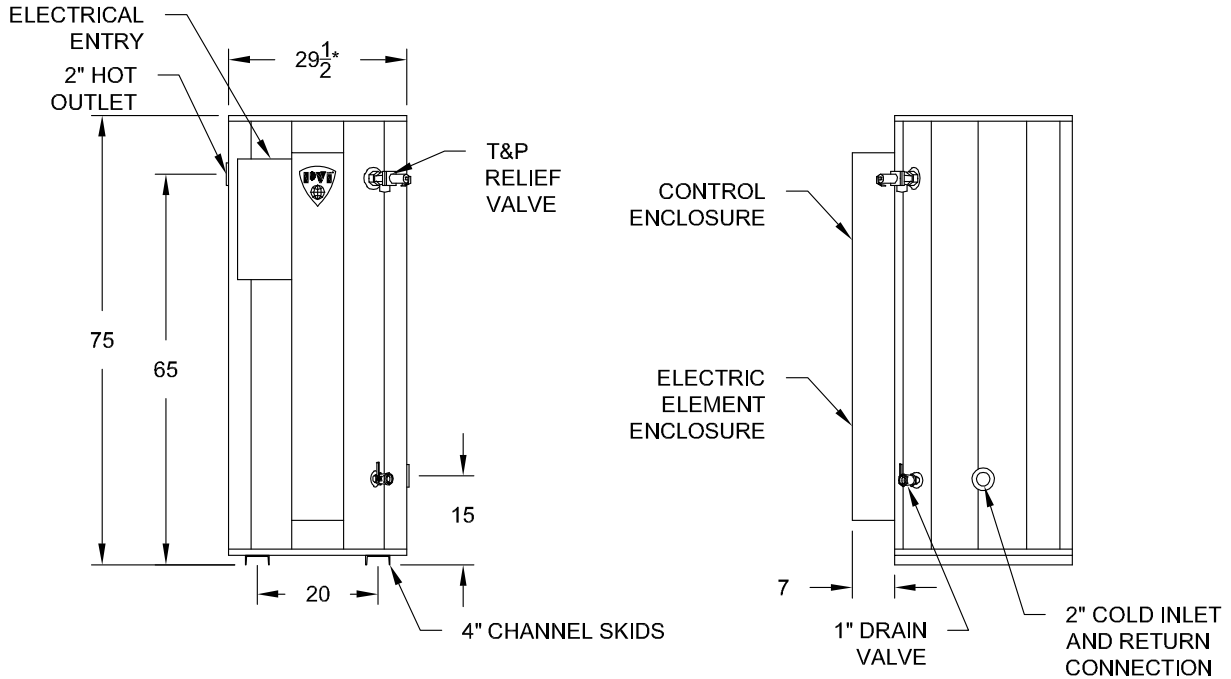
ASHRAE 90.1 compliant.

For standard and optional equipment, see form #PV 8130.

Dimensions in inches, unless otherwise noted.

Inputs higher than 144kW are available. Contact PVI representative.

* Optional proportional sequencer (PRSEQ) adds 2 inches to the left side of the heater.



STANDARD ELECTRICAL REQUIREMENTS:

CONTROL CIRCUIT TRANSFORMER SUPPLIED ON 480V ONLY. TAPPED CONTROL CIRCUIT INTERNALLY WIRED FOR 208V AND 240V. 208V AND 240V MODELS REQUIRE AC NEUTRAL CONDUCTOR FOR GROUNDING OF CONTROL CIRCUIT.

ALTERNATE VOLTAGES: FOR 230/460V, MULTIPLY kW AND RECOVERY BY .92. MULTIPLY AMPS BY .96.
FOR 220/440V, MULTIPLY kW AND RECOVERY BY .84. MULTIPLY AMPS BY .92.



PVI RESERVES THE RIGHT TO CHANGE THE DESIGN AND SPECIFICATION WITHOUT NOTICE.