

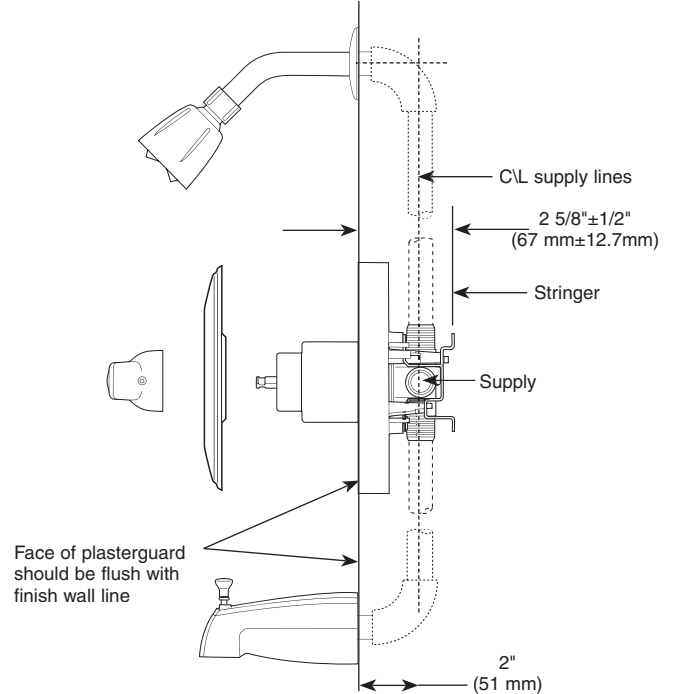
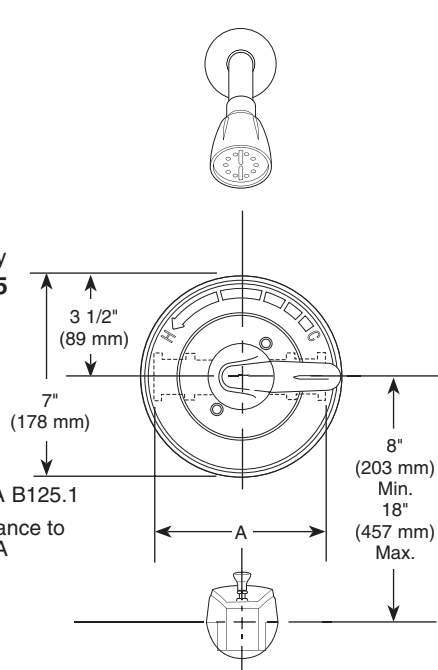
Rough-In:
PTR88700-UN
PTR88700-UNWS
PTR88700-IP
PTR88700-IPWS

Trim:
PTT88760
Lever Handle Shower Only
PTT88770 & PTT88775
Lever Handle Tub/Shower



COMPLIES WITH:

- ASME A112.18.1 / CSA B125.1
- Indicates ADA compliance to ICC/ANSI A117.1/ADA
- ASSE 1016
- IAPMO Listed
- CSA Certified

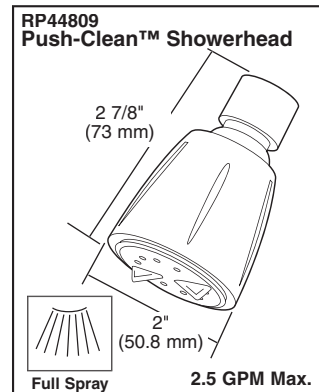
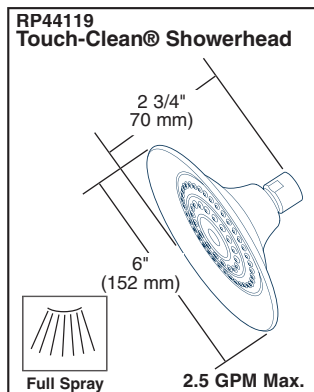
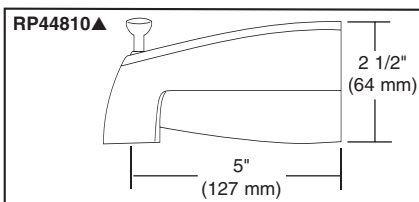


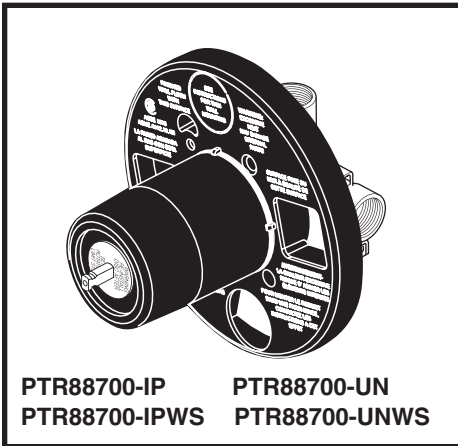
Face of plasterguard should be flush with finish wall line

STANDARD SPECIFICATIONS

- Pressure balanced bath mixing valve with Scald-Guard®
- Tub/Shower. Requires 1 1/2" wall cavity.
- Back-to-back installation capability.
- Forged brass body.
- Field adjustable means to limit handle rotation into hot water zone.
- Temperature control to rotate a maximum of 120° from full cold to the maximum temperature.
- Single Handle
- Temperature Only Controlled with Handle
- Thin wall mounting.

Dimensions	
I.P.S. or C.W.T.	3 3/8" A
I.P.S. or C.W.T. with stops	6 3/8" B





PTR88700-IP PTR88700-UN
 PTR88700-IPWS PTR88700-UNWS

Rough-In:
 PTR88700-UN (Case Qty. 12)
 PTR88700-UNWS (Case Qty. 12)
 PTR88700-IP (Case Qty. 12)
 PTR88700-IPWS (Case Qty. 12)

