



PeerlessBoilers.com

## Series PSC II™ Residential Gas Boilers

**Eligible for Many  
State and Utility  
Rebates!**  
Visit [PeerlessBoilers.com](http://PeerlessBoilers.com) for more information.



- 1 Insulated Jacket
- 2 Condensate Drain
- 3 Burner Observation Port
- 4 Limit Control
- 5 Gas Supply
- 6 Air Inlet (available either side)
- 7 Non-Combustible Floor Pan



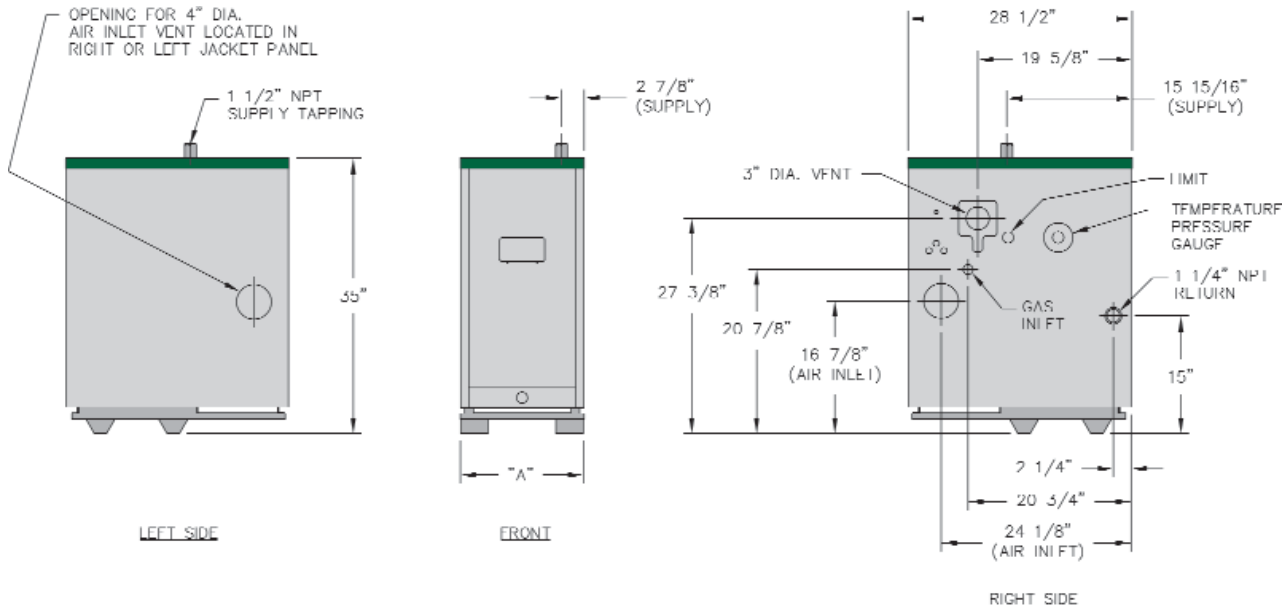
### Series PSC II™ Boiler Features

- Up to 86% AFUE—ENERGY STAR® Efficient!
- Gas-fired Boiler for Natural or LP Gas
- Residential Boiler for Hot Water Systems
- 4 sizes Available; 3–6 Sections
- Cast Iron Sections—Factory Tested and Assembled with Steel Push Nipples
- Sealed Combustion (uses outside air for combustion)
- Direct Vent - Utilizes 3" AL29-4C Stainless Steel Vent Pipe for "Through-the-Wall" or Vertical "Through-the-Roof" Venting Applications
- Fully Packaged, Ready to Install

### Standard Equipment

- > Honeywell Operating Controls
- > Honeywell SmartValve® Intermittent Ignition
- > Taco 007 Circulator
- > Non-Combustible Floor Pan
- > Wall Thimble with Stainless Steel Vent Cap and Screened Vent Termination
- > 30 PSI Safety Relief Valve
- > Condensate Elbow
- > Limit Control and Drain Valve

**All residential cast iron boilers include a full one-year warranty. A limited, lifetime warranty is provided for the cast iron sections of Peerless® residential hot water boilers. Visit [PeerlessBoilers.com](http://PeerlessBoilers.com) for complete details.**



## Boiler Dimensions

Boiler Model Number	Jacket Width "A"
PSCII-03	12-1/2"
PSCII-04	15-7/8"
PSCII-05	19-1/4"
PSCII-06	22-5/8"

## Crated Dimensions & Shipping Weights

Boiler Model Number	Depth WPC	Width WPC	Height WPC	Approximate Shipping Weight (lbs.)
PSCII-03	32-3/4"	27"	40	330
PSCII-04		27"		400
PSCII-05		30-3/8"		470
PSCII-06		33-3/4"		540

## Boiler Ratings

Series PSCII™					Water Content, gal
Boiler Model Number	Input, MBH	Heating Capacity <sup>3</sup> , MBH	Net I=B=R Ratings Water <sup>1,2</sup> , MBH	Intermittent Ignition AFUE <sup>3</sup> , %	
PSCII-03	65	56	48	86.0	4.72
PSCII-04	90	77	67	85.0	6.00
PSCII-05	120	102	89	85.0	7.28
PSCII-06	150	128	111	85.1	8.56

Note: Minimum Supply Gas Pressure: Standard 5 in. W.C. Natural Gas - 11 in. W.C. LP Gas.

1 Net I=B=R water ratings based on an allowance of 1.15.

2 Consult factory before selecting a boiler for installations having unusual piping and pickup requirements, such as intermittent system operation, extensive piping systems, etc.

3 Heating Capacity and Annual Fuel Utilization Efficiency (AFUE) ratings are based on U.S. Government test. Before purchasing this appliance, read important information about its estimated annual energy consumption or energy efficiency rating that is available from your retailer.



PeerlessBoilers.com



Printed on Recycled Paper

PeerlessBoilers.com

CUT-PSCII R0 (8/11-5M)

Printed in U.S.A.

©2011 PB Heat, LLC. All rights reserved.