



Peerless® Pinnacle® Rev 2

High Efficiency Stainless Steel Boilers

Featuring
the P825
Control Board



Quality Heating Products



Hard work and dedication by skilled employees have made us one of today's top boiler manufacturers. From the beginning, our main priority has been to serve customers' needs and to provide them with the best built boilers on the market. That commitment, still true today, is evident in all of our products and services.

Commitment to Comfort

We concentrate our efforts in one direction—hydronic heating. Hydronic heating is the most practical, dependable, efficient and versatile method available for heating a home. Hydronic systems heat by convection and radiation without the need for fans or blowers. This method of heat transfer is gentle and cleaner than that of warm air furnaces and heat pumps, keeping your family warm, healthy and happy.



Energy Efficiency



In cooperation with the U.S. Environmental Protection Agency and the Department of Energy, we are proud to offer residential gas boilers that meet or exceed efficiency standards for heating equipment. All Peerless® Pinnacle® gas-fired boilers that fall within the federal guidelines of the program have earned the ENERGY STAR® symbol used to identify high-efficiency products. Installing boilers with the ENERGY STAR rating is not only efficient and economical, but also environmentally friendly. All Peerless Pinnacle boiler models firing below 300,000 Btu/hr have AFUE ratings of 95%, significantly exceeding the federal energy standards for residential boiler efficiency.

The Peerless Pinnacle gas fired boiler is revolutionary—one of the most innovative heating products on the market today. A state-of-the-art control board uses high-end mathematics to modulate the boiler's firing rate to match the actual energy needs of the building. The control board and the Dungs Gas Valve - Venturi System provide a precise and accurate burner output.

Using this advanced technology, homeowners benefit from the lowest possible operating costs and the environment benefits from low emissions.

The Peerless® Pinnacle® Boiler

The Peerless® Pinnacle® gas-fired boiler is available for either natural or LP gas and is offered in six sizes. High-grade stainless steel construction assures the boiler's durability. The new metal mesh burner elements improve turndown and reduce emissions. The compact, lightweight design of the boiler allows for maximum installation flexibility. Features such as a fully modulating burner, spark ignition, safety relief valve, and the Dungs Gas Valve - Venturi System ensure safe, efficient operation. Two Pinnacle models are available as wall-mounted units. A third model - the PI 399 - offers 95% combustion efficiency in a commercial-size boiler. All Pinnacle boilers are direct vent, sealed combustion units and are as quiet as most home appliances. And, as with all Peerless products, a comprehensive warranty and the dependable Peerless name back the Pinnacle boiler.

P825 Control Board

All Peerless Pinnacle gas boilers are equipped with a P825 Control Board that offers state-of-the-art technology, including outdoor reset control with an additional outdoor temperature sensor. The P825 also has built-in technology for domestic hot water priority when an optional indirect tank sensor is added. With this feature, the temperature setpoint and differential temperature of the domestic hot water can be regulated through the boiler control. The P825 control board's LED digital display module lets users view supply and return temperatures, flame signal and fan speed (firing rate) for enhanced boiler serviceability. A switch to "service mode" enables contractors to manually control the firing rate. An optional interface module allows for modulating sequencing of multiple boilers and the capability of interfacing with building energy management systems. Also available for the P825 is PC software to display boiler status and fault history.

Domestic Hot Water

The Peerless® Partner® indirect-fired water heater provides a true advancement in hot water generation. By utilizing the Peerless Pinnacle boiler as its heat source, the boiler fires only when necessary and transfers heat energy from the boiler to the water heater through a highly efficient cupronickel, fin-tube heat exchanger.

The heater functions as a separate heating zone and water movement is regulated from the boiler through the heater coil by a separate circulator or zone valve.

The Peerless Partner water heater has two or more times the recovery rate of gas-fired water heaters and supplies as much as five times the amount of hot water as a comparably sized electric water heater.

Because of its light weight and durable plastic jacket, the Partner is easy to install and virtually maintenance free. The Peerless Partner indirect-fired water heater is the perfect companion to the Peerless Pinnacle boiler, as well as a sensible and efficient addition to your home heating system.

- *Modern Coil Design*
- *Minimal Standby Temperature Loss*
- *Rapid Recovery Rate*
- *Easy Installation*
- *Long Lasting Stainless Steel Construction*
- *No Separate Chimney or Burner Needed*

Peerless® Partner® Indirect-Fired Water Heater Standard Equipment

- *High-Grade 316L Stainless Steel Tank*
- *Enclosed Thermostat Well*
- *Maintenance-Free Plastic Jacket*
- *Adjustable Honeywell Control*
- *2" Polyurethane Foam Insulation*
- *T&P Relief Valve*
- *Cupronickel, Fin-Tube Heat Exchanger*



Complete Warranty Program

We believe that the customer's peace of mind is very important. To help develop that security, we have created a comprehensive warranty program for residential boilers. Customers can rest easy, knowing that their new boiler will provide years of dependable home heating comfort.

We are pleased to offer one of the most comprehensive warranty programs in the industry. The Peerless Pinnacle stainless steel boiler carries a full one-year warranty on the entire boiler and a three-year warranty on the blower assembly. We will also purchase an additional warranty that covers labor for replacing warranted parts from the 31st day through the first year after installation, provided the warranty


registration card is returned. In addition, we offer a limited, pro-rated, 12-year warranty on the heat exchanger of the Pinnacle boiler. Five and ten-year extended warranties on parts and labor may also be purchased.



This summary is not a specific warranty. Please consult us for complete warranty information.



Product Ratings

Peerless Pinnacle Boiler Ratings

Residential					
 Pinnacle Gas Series					
Model Number	Input, MBH		Heating Capacity ³ , MBH	NET I=B=R Ratings Water ¹ , MBH	AFUE ³ , %
	Min	Max			
PI-T50	18	50	46	40	95.1
PI-T80	19	80	74	64	95.1
PI-80	27	80	74	64	95.1
PI-140	46	140	129	112	95.1
PI-199	66	199	183	159	95.1

Commercial						
 Pinnacle Gas Series 						
Model Number	Input, MBH		Gross Output, MBH	NET I=B=R Ratings Water ¹ , MBH	Thermal Efficiency, %	Combustion ⁴ Efficiency, %
	Min	Max				
PI-399	100	399	379	330	93.4	95.1

- 1 Net I=B=R water ratings based on an allowance of 1.15.
- 2 Consult factory before selecting a boiler for installations having unusual piping and pickup requirements, such as intermittent system operation, extensive piping systems, etc.
- 3 Heating Capacity and Annual Fuel Utilization Efficiency (AFUE) ratings are based on U.S. Government test. Before purchasing this appliance, read important information about its estimated annual energy consumption or energy efficiency rating that is available from your retailer.
- 4 Combustion Efficiency determined in accordance with ANSI Z21.13, Gas-Fired Low-Pressure Steam and Hot Water Boilers.

For additional information on our products and services, visit our website at PeerlessBoilers.com. Loaded with valuable information, this user-friendly tool is a quick and easy way to answer many of your heating questions.

Pinnacle Boiler Features

- 95% AFUE*
- Natural or LP Gas
- Direct Vent, Sealed Combustion
- PVC or CPVC Venting
- Compact, Light-Weight Design
- Pre-Mixed Burner Technology
- Quiet Operation
- Designed, Tested and Stamped in Accordance with the ASME Boiler and Pressure Vessel Code

*95% AFUE on boilers firing below 300,000 Btu/hr only.

P825 Control Board Features

- Outdoor Reset Capability
- Domestic Hot Water Priority
- Improved Troubleshooting with LED Status Display Module
- Service Mode for Manual Control of Firing Rate
- Optional Interface Module for Sequencing Controls and Building Management Systems
- Available Software to Display Status Information or Fault History From Your PC

Standard and Optional Equipment

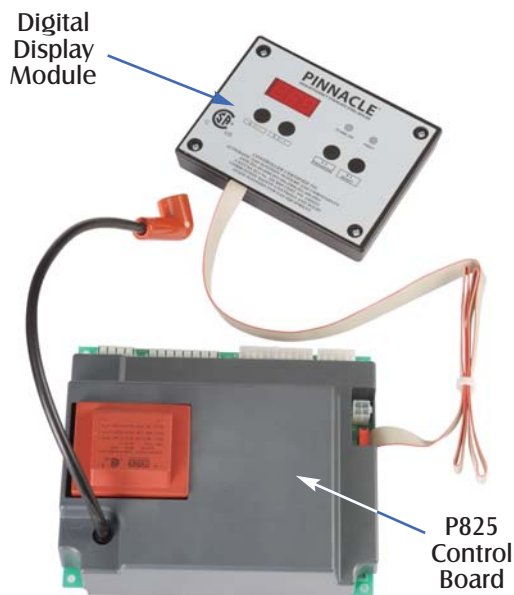
Pinnacle Boiler Standard Equipment

- ASME Safety Relief Valve
- Temperature-Pressure Gage (unmounted)
- High Water Temperature Limit Switch
- Spark Ignition
- Flame Sensor
- High Vent Temperature Limit Switch
- Low Water Pressure Limit Switch
- Karl Dungs Gas Valve - Venturi System
- Stainless Steel Heat Exchanger
- Fully Modulating Premix Burner
- Supply/Return Temperature Sensors
- PVC Air Intake Termination with Screen
- PVC Exhaust Termination with Screen
- State-of-the-Art Control Board featuring Display Module with Digital Readout
- Electrical Junction Box with Service Switch
- Outdoor Sensor

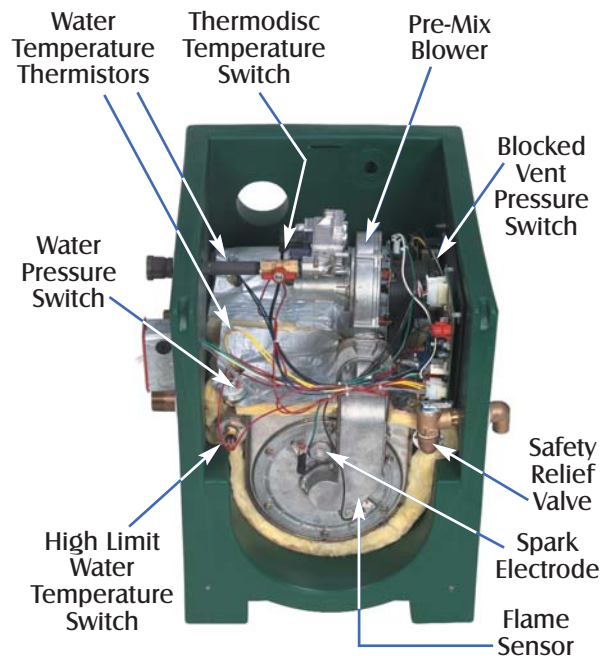
Pinnacle Boiler Optional Equipment

- PC Software for Status and Fault History Display
- Stainless Steel Vent Termination Kit (2", 3" or 4")
- PVC Concentric Vent Termination Kit (2" or 3")
- Field Convertible Floor Mount/Wall Mount Stand for PI-80, PI-140 & PI-199 Models

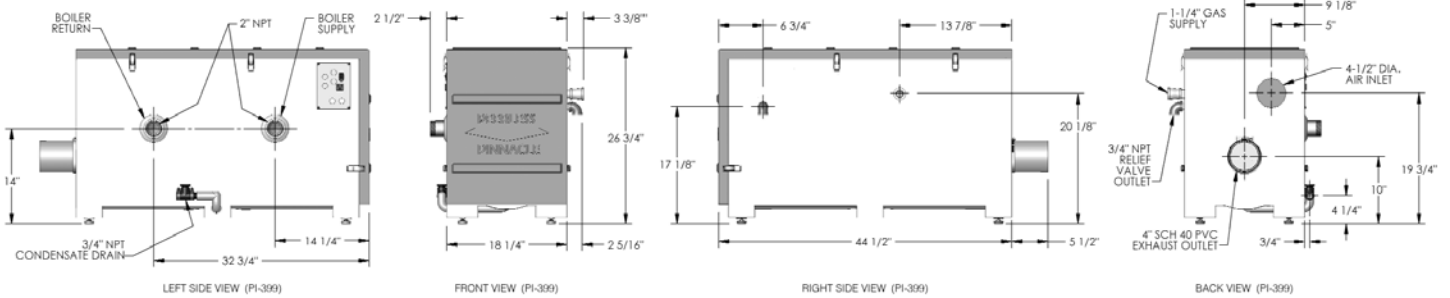
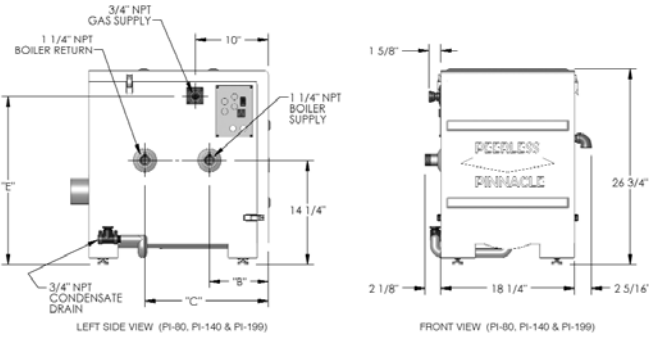
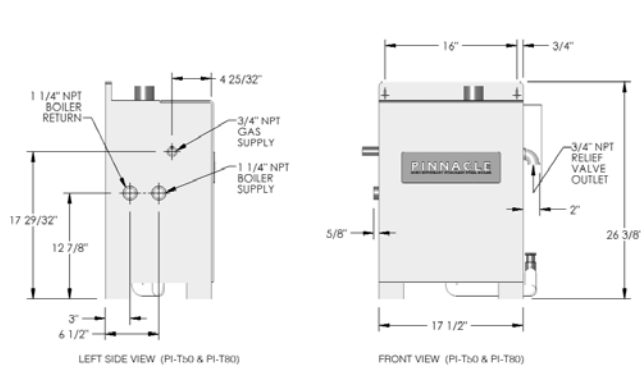
P825 Control Board



PI-80, 140 & 199 Top View



Technical Information



Dimensions & Connection Sizes

Boiler Model Number	Dimensions				
	A	B	C	D	E
PI-80	14 3/4"	6 1/4"	10"	3 1/2"	21 3/16"
PI-140	22 3/4"	6 1/2"	15 1/4"	4"	21 13/16"
PI-199	22 3/4"	6 1/2"	15 1/4"	4"	21 13/16"

Carton Dimensions & Shipping Weights

Boiler Model Number	Length	Width	Height	Approximate Shipping Weight (lbs.)
PI-T50	26"	14"	29"	58
PI-T80	26"	14"	29"	58
PI-80	22 1/4"	21"	26"	75
PI-140	30 3/4"	21"	26"	101
PI-199	30 3/4"	21"	26"	111
PI-399	51"	26"	32"	252



PeerlessBoilers.com

Installed By:



ASME



Printed on Recycled Paper