



# Peerless® PUREFIRE®

## High Efficiency Condensing Commercial Gas Boilers

**Eligible for Tax Credit and Rebate Programs**



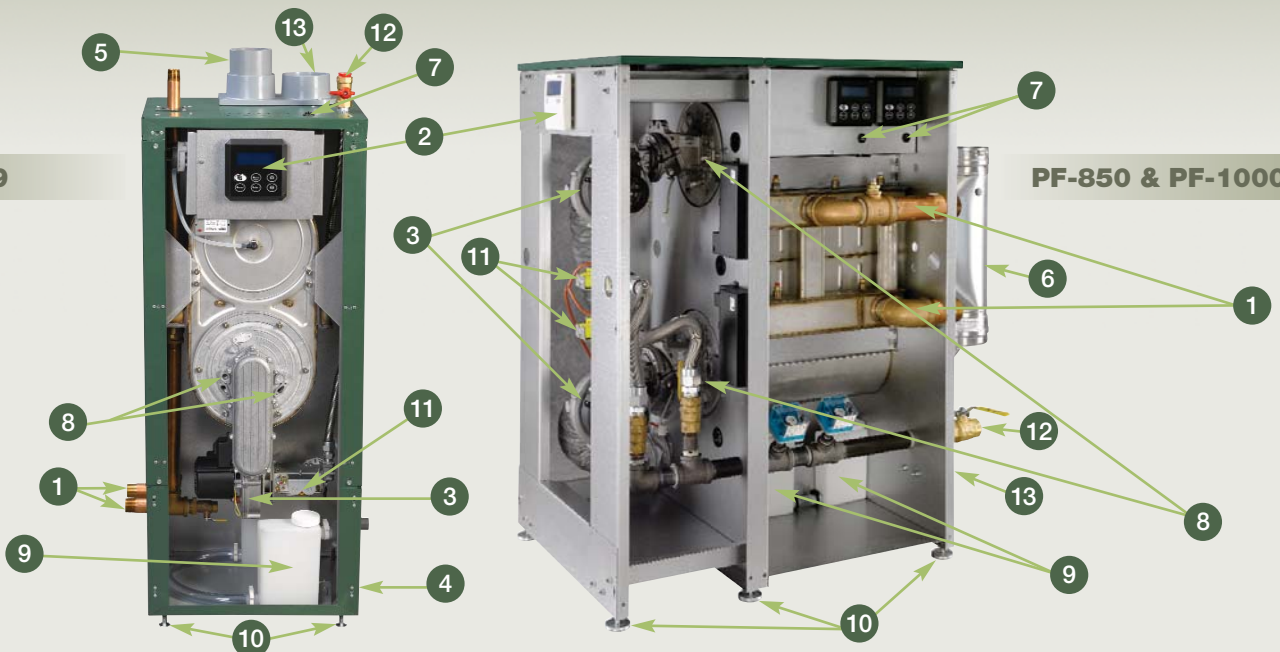
- Up to 95.6% Combustion Efficiency; up to 96.6% Thermal Efficiency
- Gas-fired Condensing Boiler for Natural or LP Gas
- With Addition of LWCO, Boilers are CSD-1 Compliant
- Direct-vent, Sealed Combustion
- Fully Modulating Burner with Maximum 10 to 1 Turndown\*
- ASME and ETL Certified for U.S./Canada
- Environmentally Friendly—LoNOx Operation
- Sleek, Modern Design with Easy Access to Controls
- Compact; Small Footprint
- Cascade Capable
- Unique Design Allows Common Venting of Multiple Boilers\*

\*PF-850 & PF-1000 models

- |                         |   |                                      |              |
|-------------------------|---|--------------------------------------|--------------|
| 1 Supply / Return Pipes | 4 120V Service Outlet (PF-399)            | 7 Service Switch                     | 11 Gas Valve |
| 2 Boiler Status Display | 5 Top Vent Connections (PF-399)           | 8 Reliable Dual Flame Sensors        | 12 Gas Inlet |
| 3 Blower                | 6 Rear Vent Connection (PF-850 & PF-1000) | 9 Condensate System with Neutralizer | 13 Air Inlet |
|                         |   | 10 Leveling Legs                     |              |

PF-399

PF-850 & PF-1000



**All commercial PUREFIRE® stainless steel condensing boilers include a full one-year warranty. A limited 10 year warranty is provided on the stainless steel heat exchangers on commercial condensing PUREFIRE® boilers. Visit PeerlessBoilers.com for complete details on standard and extended warranty programs available.**



CONTROLS



# Technical Information

## Carton Dimensions & Shipping Weights

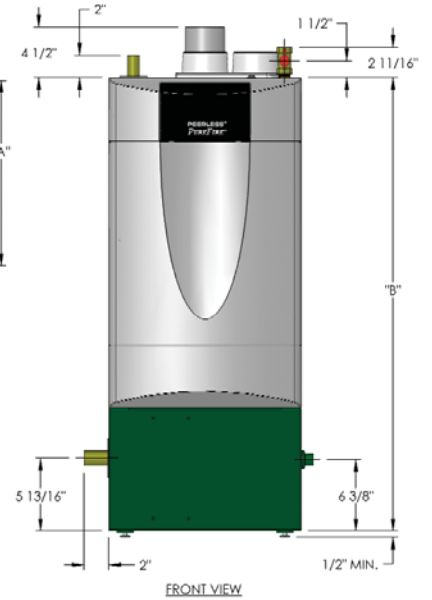
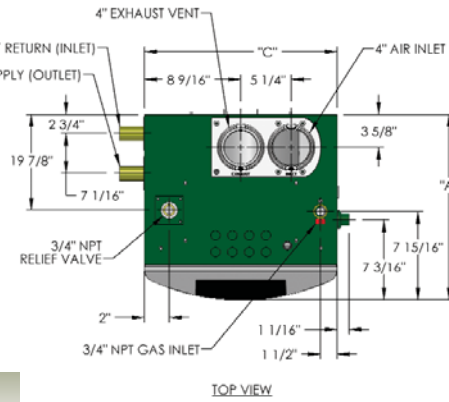
Boiler Model Number	Length	Width	Height	Approximate Shipping Weight (lbs.)
PF-399	25"	32"	50"	255
PF-850	54-1/2"	32"	52"	345
PF-1000	54-1/2"	32"	52"	405

## Dimensions

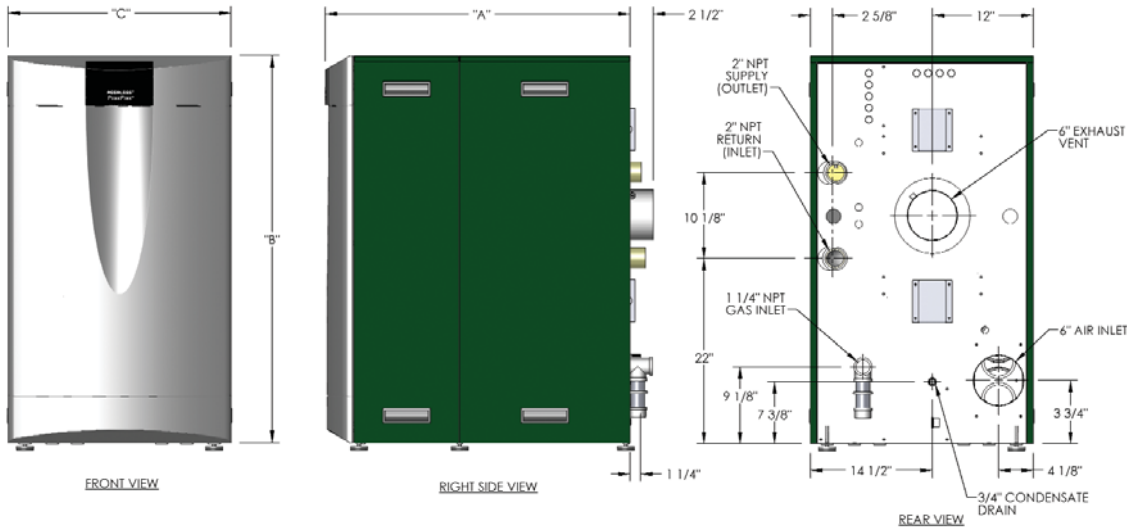
Boiler Model Number	Dimensions		
	A	B	C
PF-399	27-15/16"	40-1/2"	17-3/16"
PF-850	36-1/4"	46"	26-1/2"
PF-1000	39-1/8"	46"	26-1/2"

## Boiler Ratings

Boiler Model Number	PUREFIRE® Gas Series									
	Input				Heating Capacity		NET		Thermal Efficiency	Combustion Efficiency
	Minimum MBH	Minimum kW	Maximum MBH	Maximum kW	MBH	kW	MBH	kW	%	%
PF-399	80	23.4	399	116.9	373	109.3	324	95.0	93.4%	95.5%
PF-850	85	24.9	850	249.1	818	239.7	711	208.4	96.2%	92.5%
PF-1000	100	29.3	1,000	293.1	966	283.1	840	246.2	96.6%	95.6%



PF-399



## PF-850 & PF-1000

### Standard Equipment

- > Built-in Condensate Neutralizer System with Float Switch Protection
- > State-of-the-Art Control Board with Advanced Features
- > High Grade Stainless Steel Burner and Heat Exchanger
- > Outdoor Reset Capability
- > Domestic Hot Water Priority
- > PVC Screened Air Intake and Exhaust
- > Combination Temperature-Pressure Gauge and 30 PSIG Relief Valve



PeerlessBoilers.com



Printed on Recycled Paper

PeerlessBoilers.com

CUT-PFC R3 (1/12-5M)  
Printed in U.S.A.  
©2012 PB Heat, LLC. All rights reserved.