



# Cast 92™

## Condensing, Cast Iron Gas Boilers



### Cast 92™

The new Cast 92™ boiler from Peerless® Boilers is a high efficiency, ENERGY STAR® approved\*, cast iron condensing boiler. The gas-fired boiler can be used with either natural or LP gas and features direct spark ignition. The cast iron sections retain heat better and longer than other materials and lends to the extreme durability of the boiler. The Cast 92™ boiler is ideal for new construction and perfect for replacing older, less efficient cast iron boilers. Due to its unique design and simplicity there is no need for primary/secondary piping. The boiler can be vented with the familiar AL294C venting material and both indoor and outdoor air can be used for combustion.

\*Cast 92-2™ model only

### Cast 92™ Control Technology

The Cast 92™ boiler includes an integrated, advanced digital system that monitors system function and performance. The control read-out is straightforward, plain English with no codes or colored lights making annual service and routine maintenance easy. The controller interface simplifies installation and set-up and can network up to 16 individual units in a multiple boiler application as well as building managements systems without the addition of expensive controls or interface modules.

### Standard Features

- 92.7% AFUE—ENERGY STAR® Efficient!\*
- Gas-fired Condensing Boiler
- For Use with Natural or LP Gas (No Fuel Conversion Kits Needed!)
- Cast Iron Sections with Steel Push Nipple Connectors
- Advanced Digital Control Board Technology
- Direct Spark Ignition
- Environmentally Friendly—Low Emissions for both CO<sub>2</sub> and NO<sub>x</sub>
- Steel Mesh Intake Filter
- Does Not Require Primary/Secondary Piping
- 5:1 Continuous Turndown
- Compact Footprint; Quiet Operation



ASME



# Technical Features

## Efficiency

AFUE<sup>1</sup> 92.7% (92-2™)  
Thermal 92.7% (92-4™)

## CSA Input<sup>2</sup> (max.)

199,000 Btuh (58.6 Kw) (92-2)  
399,000 Btuh (116.8 Kw) (92-4)

## CSA Input<sup>2</sup> (min.)

40,000 Btuh (11.7 Kw) (92-2)  
80,000 Btuh (23.4 Kw) (92-4)

## Maximum Allowable Working Pressure

100 PSIG (700 kPa)

## Water Supply and Return Connections

NPT 1-1/4"

## Boiler Water Volume

4.75 Gallons (18.0 Liters) (92-2)  
7.125 Gallons (27.0 Liters) (92-4)

## Operating Weight

540 Pounds (245 Kg) (92-2)  
753 Pounds (341 Kg) (92-4)

## Fuels<sup>3</sup>

Natural Gas or Propane

## Line Gas Pressure Requirement

2" WC– 14" WC

## Vent Connection Size

3" (76.2 mm) (92-2)  
4" (101.6 mm) (92-4)

## Vent Options

Direct Vent or Category IV only  
(Pressurized Vent, Condensing)

## Combustion Air Adapter Size

3" (76.2 mm) (92-2)  
4" (101.6 mm) (92-4)

## Voltage

120 vac/60 hz/1-phase

## Current Draw

(120-volt Power Line) 2.75 Amperes (92-2)  
(120-volt Power Line) 5 Amperes (92-4)

## Operating Control<sup>4</sup>

Peerless® Cast 92™ Control

## Control Operation Options<sup>4</sup>

Stand-alone  
Peerless® Cast 92™ Control Network  
BMS (Boiler Management System)

## Control Methods<sup>4</sup>

Heat Demand  
On/Off  
BMS (4-20 ma Input)  
Staging  
RS485 Digital Communication

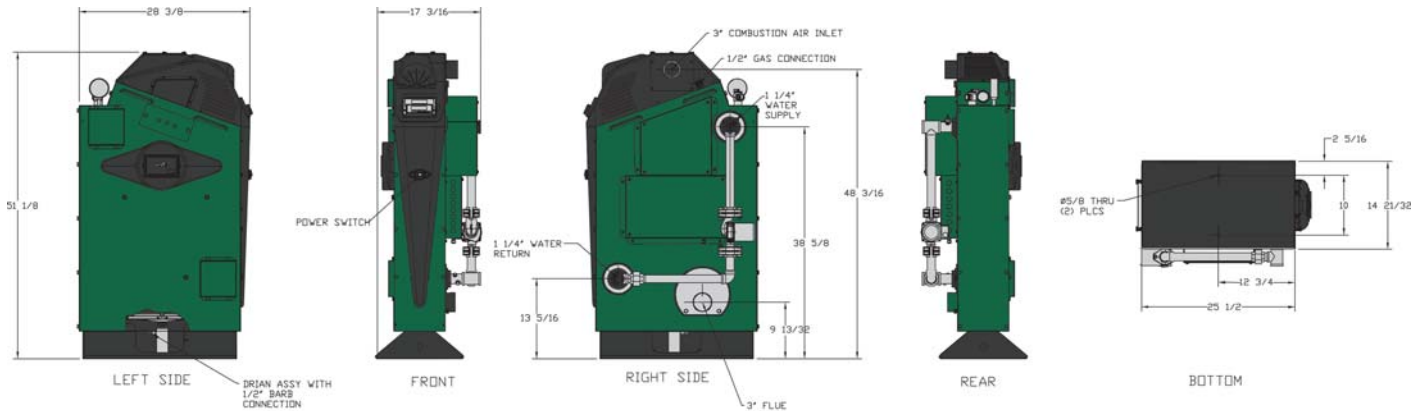
1. DOE Seasonal Efficiency is based on standard tests specified by the United States Department of Energy.

2. All capacity ratings above are based on sea level. Input adjustments allow setting the high fire input and may compensate for moderate altitudes. For higher altitudes, the maximum boiler input will be derated slightly.

3. The gas valve is capable of operating with natural gas or LP. See the Boiler Manual to adjust for the specific fuel used.

4. For additional information, refer to the Boiler Manual.

## 92-2™

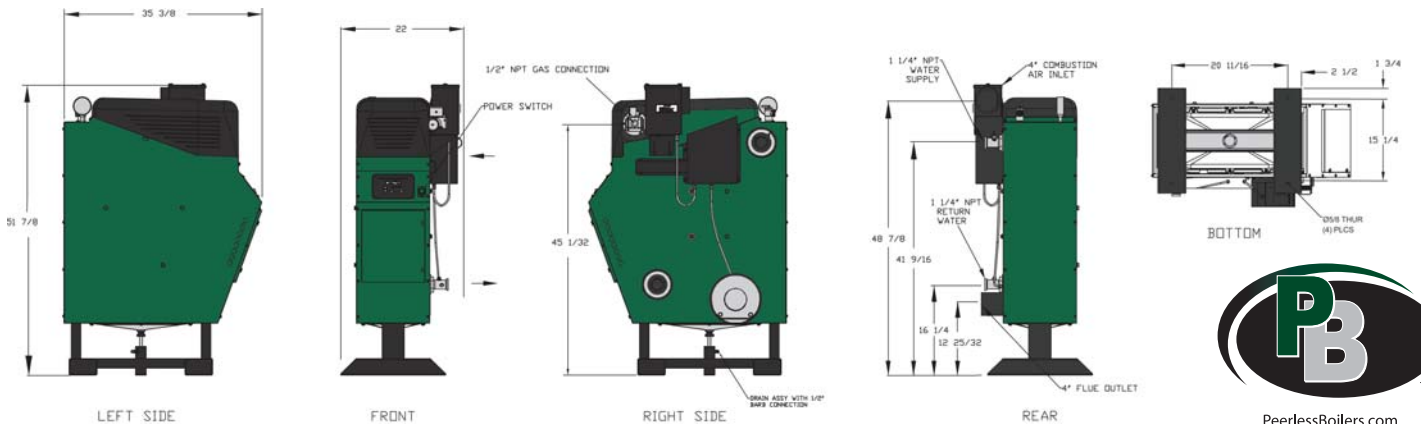


## Specifications

Boiler Model Number	Input, MBH	Output, MBH	Gas Pressure, W.C.		Voltage	Flow GPM		Temp. Rise (°F)		Vent Length, Equiv. Ft.		Air Inlet Length, Equiv. Ft.		Water Volume, Gallons	Flue Dia.	Current FLA, Amps	Boiler H.P.	NET I=B=R Ratings, MBH	AFUE, %	
			Min	Max		Min	Max	Min	Max	Min	Max	Min	Max						Thermal Efficiency, %	Combustion Efficiency, %
92-2	199	184	2"	14"	120VAC/60Hz/IPH	2**	36	20	100	0	100	0	100	4.75	3"	2.75	5.3	150	92.7	
92-4	399	370	2"	14"	120VAC/60Hz/IPH	4**	72	20	100	0	100	0	100	7.125	4"	5	10.6	322	92.7	87.7

\*\*At 100% Input

## 92-4™



PeerlessBoilers.com



Printed on Recycled Paper

PeerlessBoilers.com

CUT-C92 R0 (5/11-5M)

Printed in U.S.A.

©2011 PB Heat, LLC. All rights reserved.