

# MAAX SUBMITTAL SPECIFICATIONS

Vivez l'expérience

# MAAX®

Enjoy the experience

## CS 553 IFS

**MODEL NUMBER 103579**

DIMENSIONS: 66" x 36" x 20" Acrylic



### STANDARD FEATURES

- Molded tile flange on bath keeps corners crisp and clean while providing a perfect finish. A removable skirt panel (optional on tub only) affords easy pump and plumbing access. Options include cable-operated waste and overflow, grab bars, in-line heater, chromotherapy and pillow. Alcove installation. Specify left or right-hand model.

### OPTIONS

- None

### UNIQUE FEATURES

- None

### SYSTEMS

- None

### DOOR SELECTION

Combine with MAAX's complete shower door offering visit [www.maax.com](http://www.maax.com)

Project : .....  
Contractor : .....  
MAAX Representative : ..... Tel : .....  
Date : .....

### CERTIFICATIONS

Maax products adhere to one or more of the following certifications:

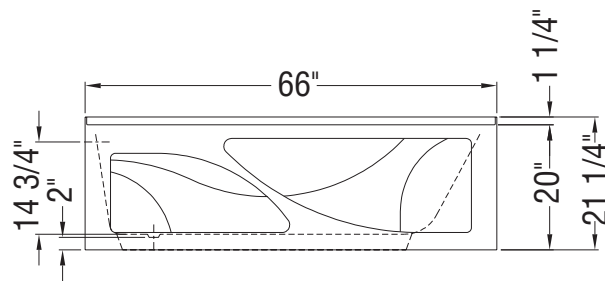
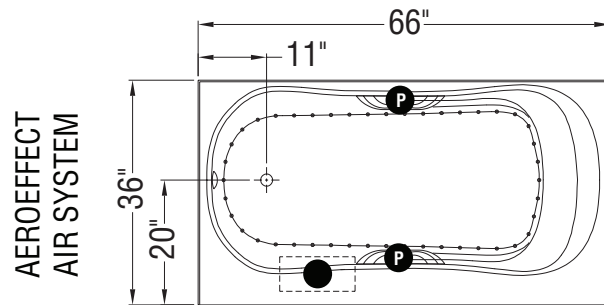
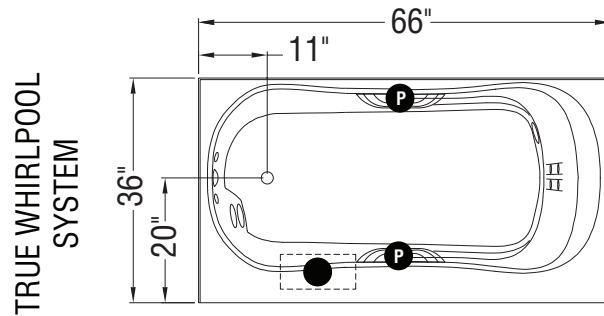


# MAAX SUBMITTAL SPECIFICATIONS

## CS 553 IFS

MODEL NUMBER 103579

### TECHNICAL DRAWINGS



- : Indicates pump or blower positioning
- P : Indicates optional grab bars positioning
- ( ○ ) : Indicates True Whirlpool jets positioning
- ( • ) : Indicates Aeroeffect airjets positioning