

MAAX SUBMITTAL SPECIFICATIONS

CS 32 IFS

MODEL NUMBER 103583

DIMENSIONS: 59 3/4" x 32" x 20" Acrylic



Vivez l'expérience
MAAX[®]
Enjoy the experience

STANDARD FEATURES

- Molded tile flange on bath keeps corners crisp and clean while providing a perfect finish. A removable skirt panel (optional on tub only) affords easy pump and plumbing access. Options include cable-operated waste and overflow, grab bars, in-line heater, chromatherapy and pillow. Alcove installation. Specify left or right-hand model.

OPTIONS

- None

UNIQUE FEATURES

- None

SYSTEMS

- None

DOOR SELECTION

Combine with MAAX's complete shower door offering visit www.maax.com

Project :
Contractor :
MAAX Representative : Tel :
Date :

CERTIFICATIONS

Maax products adhere to one or more of the following certifications:



www.maax.com

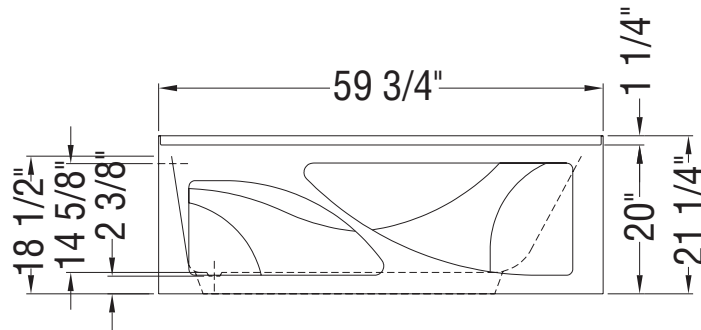
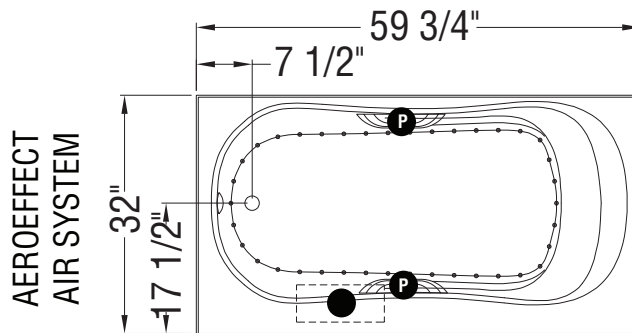
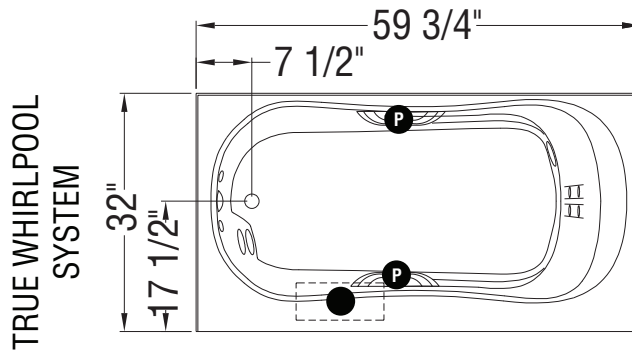
2014-02-20

MAAX SUBMITTAL SPECIFICATIONS

CS 32 IFS

MODEL NUMBER 103583

TECHNICAL DRAWINGS



- : Indicates pump or blower positioning
- P : Indicates optional grab bars positioning
- (○) : Indicates True Whirlpool jets positioning
- (•) : Indicates Aeroeffect airjets positioning