

MAAX SUBMITTAL SPECIFICATIONS

Vivez l'expérience

MAAX®

Enjoy the experience

CS 53 IFS

MODEL NUMBER 103581

DIMENSIONS: 59 3/4" x 36" x 20" Acrylic



STANDARD FEATURES

- Molded tile flange on bath keeps corners crisp and clean while providing a perfect finish. A removable skirt panel (optional on tub only) affords easy pump and plumbing access. Options include cable-operated waste and overflow, grab bars, in-line heater, chromotherapy and pillow. Alcove installation. Specify left or right-hand model.

OPTIONS

- None

UNIQUE FEATURES

- None

SYSTEMS

- None

DOOR SELECTION

Combine with MAAX's complete shower door offering visit www.maax.com

Project :
Contractor :
MAAX Representative : Tel :
Date :

CERTIFICATIONS

Maax products adhere to one or more of the following certifications:



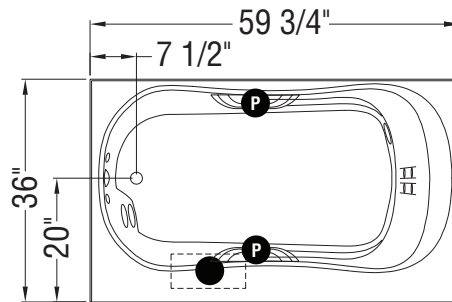
MAAX SUBMITTAL SPECIFICATIONS

CS 53 IFS

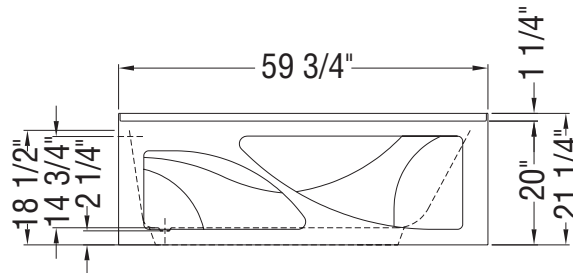
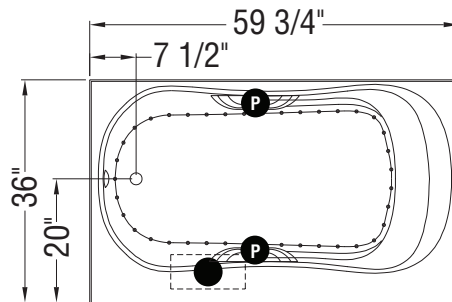
MODEL NUMBER 103581

TECHNICAL DRAWINGS

TRUE WHIRLPOOL
SYSTEM



AEROEFFECT
AIR SYSTEM



- : Indicates pump or blower positioning
- P : Indicates optional grab bars positioning
- (○) : Indicates True Whirlpool jets positioning
- (●) : Indicates Aeroeffect airjets positioning