

MAAX SUBMITTAL SPECIFICATIONS

CS 63 NS

MODEL NUMBER 103578

DIMENSIONS: 71 3/4" x 36" x 20" Acrylic



Project :

Contractor :

MAAX Representative : Tel :

Date :

www.maax.com

Vivez l'expérience
MAAX[®]
Enjoy the experience

STANDARD FEATURES

- Molded tile flange without a front skirt allows the freedom to customize the surround. Available in tub only and an array of True Whirlpool Systems with optional back massage, Aeroeffect Air Systems and Combination True Whirlpool and Aeroeffect Air Systems. Options include cable-operated waste and overflow, grab bars, in-line heater, chromatherapy and pillow. Alcove installation. Specify left or right-hand model.

OPTIONS

- None

UNIQUE FEATURES

- None

SYSTEMS

- None

DOOR SELECTION

Combine with MAAX's complete shower door offering visit www.maax.com

CERTIFICATIONS

Maax products adhere to one or more of the following certifications:



2014-07-22

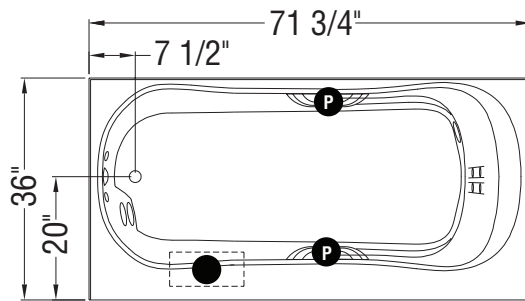
MAAX SUBMITTAL SPECIFICATIONS

CS 63 NS

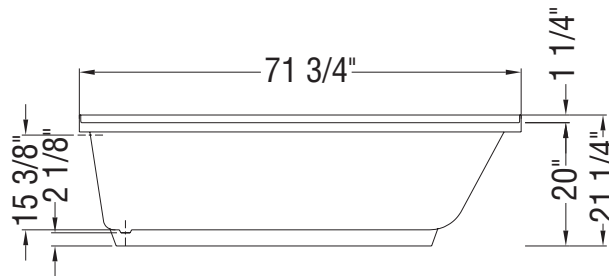
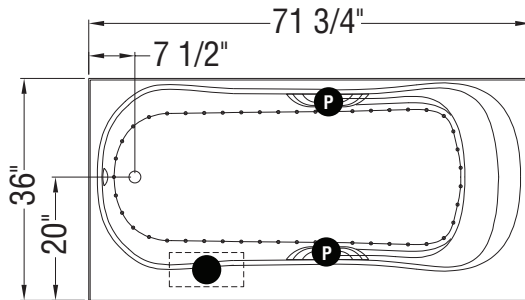
MODEL NUMBER 103578

TECHNICAL DRAWINGS

TRUE WHIRLPOOL SYSTEM



AEROEFFECT AIR SYSTEM



- : Indicates pump or blower positioning
- P : Indicates optional grab bars positioning
- (○) : Indicates True Whirlpool jets positioning
- (●) : Indicates Aeroeffect airjets positioning