

MAAX SUBMITTAL SPECIFICATIONS

Vivez l'expérience

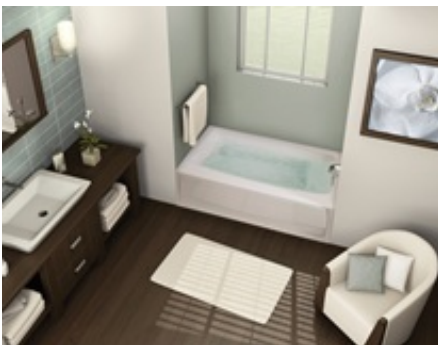
MAAX®

Enjoy the experience

Standard

MODEL NUMBER 100480

DIMENSIONS: 60" x 30" x 20" Acrylic



STANDARD FEATURES

- Bathtub only available with True Whirlpool or combined system
- Factory installed skirt and removable panel
- Integral, 3-sided tile flange
- Specify left or right-hand drain
- Alcove installation

OPTIONS

- Water heater for True Whirlpool system
- Trim kit for True Whirlpool and combined systems
- Two chromotherapy lights
- ThermaZone
- AromaScents
- Ozonator whirlpool system

UNIQUE FEATURES

- Tiling Flange

SYSTEMS

- Chromotherapy
- Backmax
- True Whirlpool
- Combined Aerofeel/True Whirlpool
- Ozonator
- True Whirlpool REST
- ThermaZone

DOOR SELECTION

Combine with MAAX's complete shower door offering visit www.maax.com

CERTIFICATIONS

Maax products adhere to one or more of the following certifications:



Project :

Contractor :

MAAX Representative : Tel :

Date :

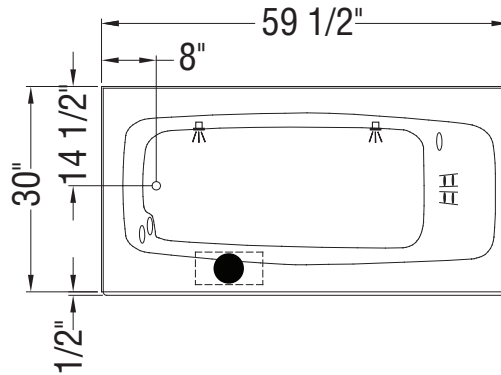
MAAX SUBMITTAL SPECIFICATIONS

Standard

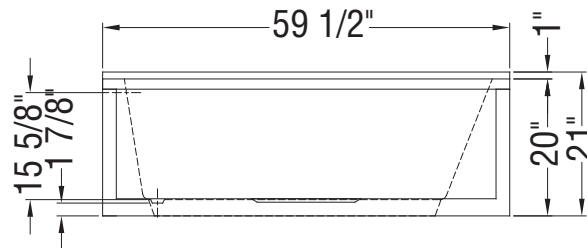
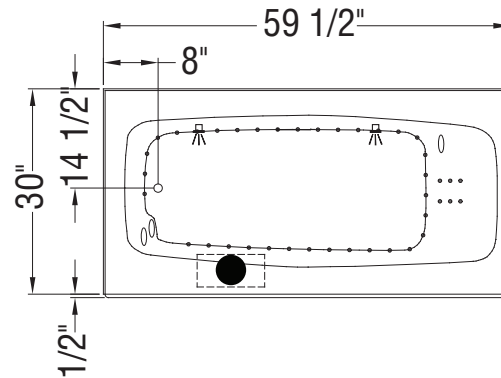
MODEL NUMBER 100480

TECHNICAL DRAWINGS

WHIRLPOOL SYSTEM



AIR SYSTEM



- : Indicates pump or blower positioning
 - (○): Indicates whirlpool jets positioning
 - (•): Indicates airjets positioning
 - (◐): Indicates backjets positioning
 - (☼): Indicates chromatherapy light positioning
- Bathtub base includes anti-vibration Neutra-Phone leg supports (not shown).
All dimensions are approximate. Structure measurements must be verified against the unit to ensure proper fit.